



BALDOR® • *RELIANCE*

Product Information Packet

L3404

.25HP,1140RPM,1PH,60HZ,48,3421L,TEFC,F1

Product Detail									
Revision:	L	Status:	PRD/A	Change #:		Proprietary:	No		
Type:	AC	Prod Type:	3421L	Elec. Spec:	34WG5613	CD Diagram:	CD0001		
Enclosure	TEFC	Mfg Plant:		Mech Spec:	34C051	Layout:	34LYC051		
Frame:	48	Mounting:	F1	Poles:	06	Created Date:			
Base:	RG	Rotation:	R	Insulation:	B	Eff. Date:	05-29-2008		
Leads:	6#18	Literature:		Elec. Diagram:		Replaced By:			
Nameplate NP1256L									
CAT.NO.	L3404								
SPEC.	34C51-5613								
HP	1/4								
VOLTS	115/230								
AMP	6.4/3.2								
RPM	1140								
FRAME	48	HZ			60	PH	1		
SER.F.	1.35	CODE			N	DES	N	CLASS	B
NEMA-NOM-EFF	48	PF			53				
RATING	40C AMB-CONT								
CC				USABLE AT 208V	3.6				
DE	6203	ODE			6203				
ENCL	TEFC	SN							
	SFA 6.8/3.4								

Parts List			
Product ID	Description	Quantity	List Price
SA008583	SA 34C51-5613	1.000	232.00
RA005030	RA 34C51-5613	1.000	194.00
NS2512A01	INSULATOR, CONDUIT BOX X X	1.000	2.00
34CB3002A	CB CAST W/.88 DIA HOLE	1.000	13.00
34GS1029A01	GASKET, CONDUIT BOX	1.000	2.00
51XB1016A07	10-16 X 7/16 HXWSSLD SERTYB	2.000	2.00
11XW1032G06	10-32 X .38, TAPTITE II, HEX WSHR SLTD U	1.000	3.00
51XW0832A07	8-32 X .44, TAPTITE II, HEX WSHR SLTD SE	2.000	2.00
34EP3102A01SP	FR ENDPLATE, MACH	1.000	68.00
NS2500A01	INSULATOR, AUTO THER PROT	1.000	2.00
WD1000A03	41531 AMP FLG.TERM(4M/RL)1 MILLION PER Y	1.000	2.00
34CB4800SP	CAPACITOR COVER,STAMPED X X	1.000	20.00
51XB1016A05	10-16X5/16HX WA SL SR TYB (F/S)	2.000	2.00
HW5100A03SP	WAVY WASHER (W1543-017)	1.000	2.00
34EP3102A02SP	FR/PU ENDPLATE, MACH	1.000	24.00
XY1032A02	10-32 HEX NUT DIRECTIONAL SERRATION	4.000	2.00
34FN3002A01SP	EXTERNAL FAN, PLASTIC, .637/.639 HUB W/	1.000	14.00
34FH4002A01SP	IEC FH NO GREASER	1.000	23.00
51XW1032A06	10-32 X .38, TAPTITE II, HEX WSHR SLTD S	3.000	3.00
34CB4517	CB LID 4 MTG HOLES .22 DIA STAMPED, FOR	1.000	5.00
34GS1031A01	GASKET, FLAT CONDUIT BOX LID (LEXIDE)	1.000	2.00
51XW0832A07	8-32 X .44, TAPTITE II, HEX WSHR SLTD SE	4.000	2.00
MG1000G27	PAINT- S9282E CHARCOAL GREY	0.014	4,000.00
10XF0440S02	04-40 X 1/8 TYPE F HEX HD STAINLESS STIC	2.000	2.00

Parts List (continued)			
Product ID	Description	Quantity	List Price
EC1189A02SP	61B2D120189NNBA ELEC CAP, 189-227MFD, 12	1.000	23.00
34GS3000SP	GASKET, CAPACITOR BOX X X	1.000	3.00
SP5056A24	MODEL 34 TYPE L STATIONARY SWITCH WITH L	1.000	18.00
HA3100A44	THRUBOLT 10-32 X 8.000	4.000	2.00
LB1125C01	STD (STOCK) CARTON LABEL BALDOR WITH FLA	1.000	2.00
LC0001A01	CONN LABEL / WARNING LABEL (LC0001 / LB1	1.000	2.00
NP1256L	NP STD LASER ENGRAVED, UL CSA CC, W/O TH	1.000	3.00
34PA1002	PACKING GROUP, BALDOR	1.000	13.00

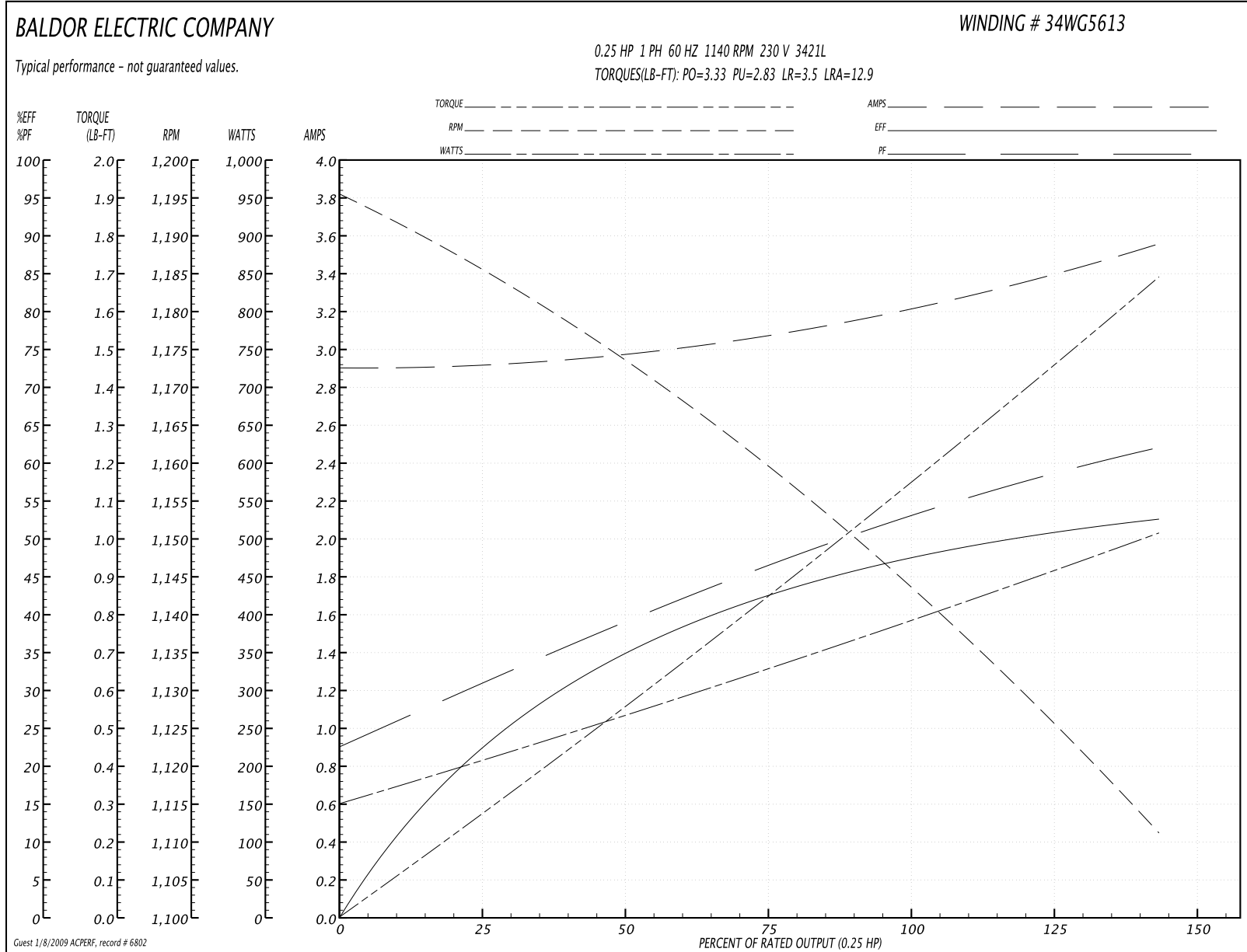
Performance Data at 230V, 60Hz, 0.25HP (Typical performance - Not guaranteed values)
General Characteristics

Full Load Torque:	1.13 LB-FT	Start Configuration:	DOL
No-Load Current:	2.9 Amps	Break-Down Torque:	3.33 LB-FT
Line-line Res. @ 25°C.:	8.08 Ohms A Ph / 6.68 Ohms B Ph	Pull-Up Torque:	2.83 LB-FT
Temp. Rise @ Rated Load:	62°C	Locked-Rotor Torque:	3.5 LB-FT
Temp. Rise @ S.F. Load:	74°C	Starting Current:	12.9 Amps

Load Characteristics

% of Rated Load:	25	50	75	100	125	150	S.F.
Power Factor:	32.0	39.0	47.0	53.0	59.0	65.0	63.0
Efficiency:	21.0	35.0	43.0	48.0	51.0	52.0	51.5
Speed:	1188.0	1170.0	1160.0	1145.0	1130.0	1110.0	1120.0
Line Amperes:	2.9	3.0	3.1	3.2	3.3	3.6	3.4

Performance Graph at 230V, 60Hz, 0.25HP (Typical performance - Not guaranteed values)



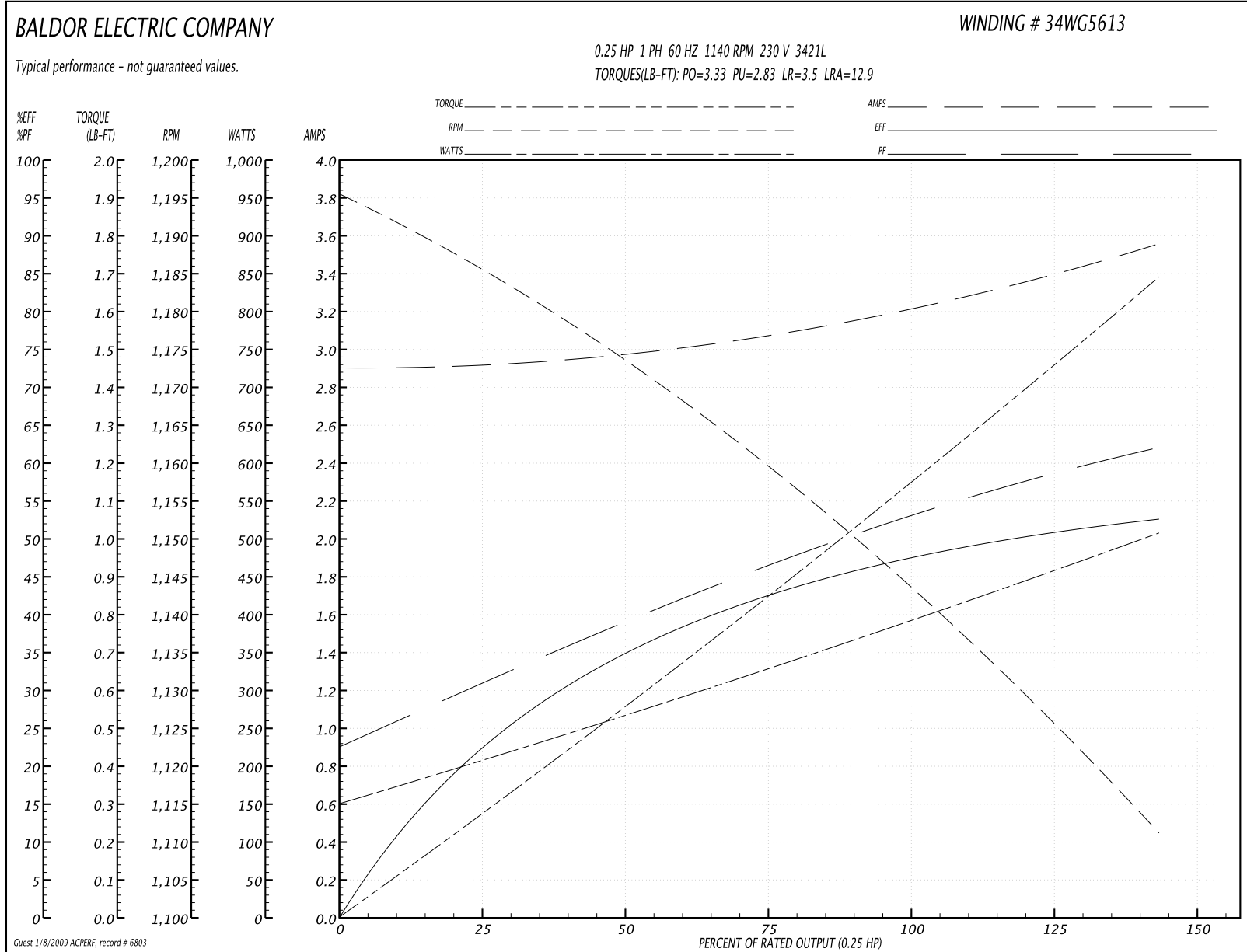
Performance Data at 230V, 60Hz, 0.25HP (Typical performance - Not guaranteed values)
General Characteristics

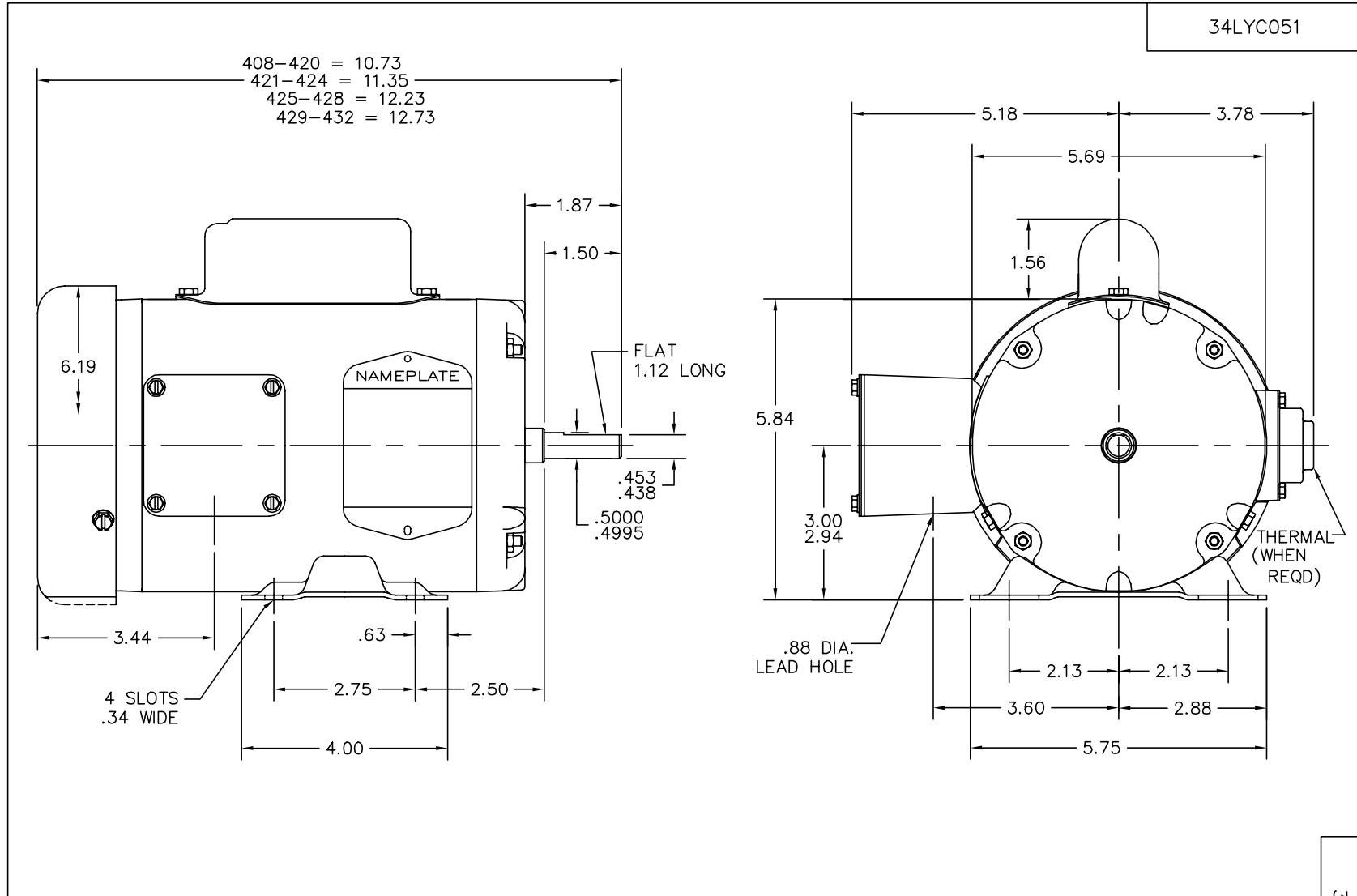
Full Load Torque:	1.13 LB-FT	Start Configuration:	DOL
No-Load Current:	2.9 Amps	Break-Down Torque:	3.33 LB-FT
Line-line Res. @ 25°C.:	8.08 Ohms A Ph / 6.68 Ohms B Ph	Pull-Up Torque:	2.83 LB-FT
Temp. Rise @ Rated Load:	77°C	Locked-Rotor Torque:	3.5 LB-FT
Temp. Rise @ S.F. Load:	90°C	Starting Current:	12.9 Amps

Load Characteristics

% of Rated Load:	25	50	75	100	125	150	S.F.
Power Factor:	32.0	39.0	47.0	53.0	59.0	65.0	63.0
Efficiency:	21.0	35.0	43.0	48.0	51.0	52.0	51.5
Speed:	1188.0	1170.0	1160.0	1145.0	1130.0	1110.0	1120.0
Line Amperes:	2.9	3.0	3.1	3.2	3.3	3.6	3.4

Performance Graph at 230V, 60Hz, 0.25HP (Typical performance - Not guaranteed values)





CUSTOMER IS RESPONSIBLE FOR DETERMINING THAT MOTOR PERFORMANCE IS SUITABLE IN THE APPLICATION.

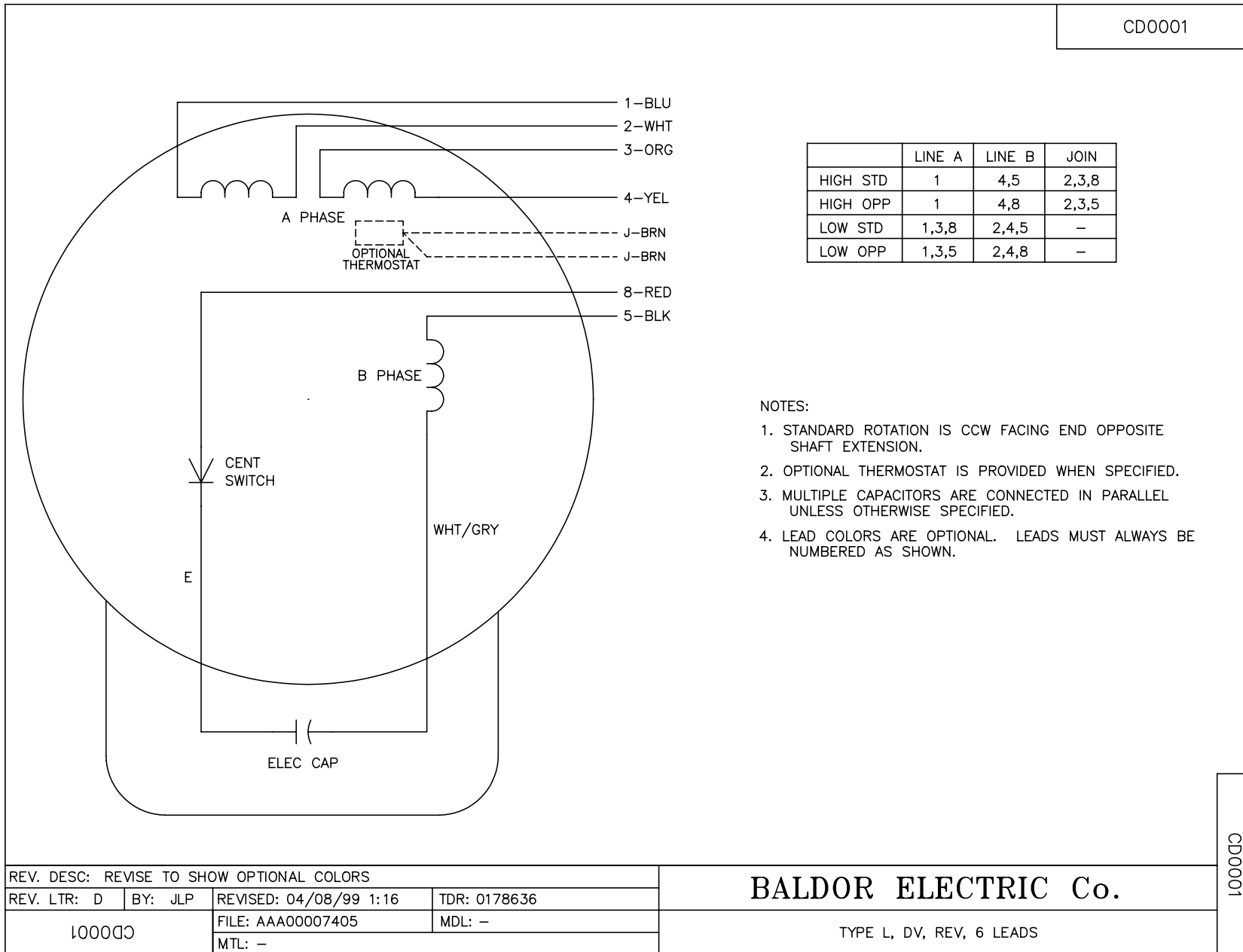
REV. DESC: UPDATE DRAWING'S PARTS		
REV. LTR: K	VERSION: 03	TDR: 000000450150
34LYC051	FILE: \AAA\00025\908	REVISED: 06:32:21 01/09/2008
	MTL: -	BY: ENROSTO

BALDOR • DODGE • RELIANCE

STD HORZ MODEL 34L NEMA 48 TEFC

34LYC051

CD0001



REV. DESC: REVISE TO SHOW OPTIONAL COLORS			
REV. LTR: D	BY: JLP	REVISED: 04/08/99 1:16	TDR: 0178636
100000		FILE: AAA00007405	MDL: -
		MTL: -	

BALDOR ELECTRIC Co.

TYPE L, DV, REV, 6 LEADS

CD0001