

# SIEMENS

## SED2 Variable Frequency Drives

### Parameter Reference Guide



Item Number 125-3214, Rev. 010





**SIEMENS**

**SED2 Variable  
Frequency Drives  
Parameter Reference  
Guide**



## NOTICE

*The information contained within this document is subject to change without notice and should not be construed as a commitment by Siemens Building Technologies, Inc. Siemens Building Technologies, Inc. assumes no responsibility for any errors that may appear in this document.*

*All software described in this document is furnished under a license and may be used or copied only in accordance with the terms of such license.*

## SERVICE STATEMENT

*Control devices are combined to make a system. Each control device is mechanical in nature and all mechanical components must be regularly serviced to optimize their operation. All Siemens Building Technologies, Inc. branch offices and authorized distributors offer Technical Support Programs that will ensure your continuous, trouble-free system performance.*

*For further information, contact your nearest Siemens Building Technologies, Inc. representative.*

## CREDITS

*Product or company names mentioned herein may be the trademarks of their respective owners.*

*Copyright © 2003 by Siemens Building Technologies, Inc.*

## TO THE READER

*Your feedback is important to us. If you have comments about this manual, please submit them to [technical.editor@siemens.com](mailto:technical.editor@siemens.com).*

*Printed in U.S.A.*



# Table of Contents

<b>Overview .....</b>	<b>1</b>
Parameter Structure.....	1
Parameter Indexes.....	1
<b>P0004 Parameter Filters/Categories.....</b>	<b>3</b>
Quick Commissioning (P0010=1) .....	3
Inverter (VFD) Unit (P0004=2).....	4
Motor Data (P0004=3) .....	4
Commands and Digital I/O (P0004=7).....	5
Analog I/O (P0004=8) .....	7
Setpoint Channel and Ramp Generator (P0004=10) .....	8
Drive Features (P0004=12) .....	9
Motor Control (P0004=13) .....	10
Communication (P0010=20).....	11
Alarms, Warnings and Monitoring (P0010=21).....	12
PI Controller (P0004=22).....	13
Restore Factory Settings .....	15
<b>Parameter Details (Numeric Listing) .....</b>	<b>16</b>





---

# Overview

---

The SED2 uses parameters to define the required operating characteristics, such as motor data, ramp times, and maximum and minimum frequency. Users enter and modify the SED2 parameters using the Basic Operator Panel, the Advanced Operator Panel, or a serial interface.

Each parameter consists of the letter "r" or "P", followed by four numbers, such as r0000 or P0010. The letter "r" identifies read-only parameters. The letter "P" identifies programmable parameters.

## Parameter Structure

Figure 1 depicts the structure of the SED2 parameters.

- User Access Level parameter P0003 selects the access level for using the parameters (1=standard, 2=extended, or 3=expert). The access level selected via parameter P0003 determines the number of parameters that are accessible by the user. For most applications, the Standard (1) and Extended (2) levels are sufficient. The factory default setting is P0003=1 (Standard).
- The *filters* of Parameter Filter P0004 categorize the parameters that are available via the access level according to functionality. The filters/categories enable a more focused operational approach. If Parameter P0004=0 for no filter/category, then all parameters for a selected user access level are available.

**NOTE:** Some parameters are intended for commissioning only and can be viewed as a function of this filter. In order to set these parameters, P0010 must be set to **1** (quick commissioning).

## Parameter Indexes

Certain parameters have indexes. The indexes provide subsets of a particular parameter function and group together closely related parameter type information.

The following indexes are associated with P0700, P1000, and digital input and output parameters:

- IN000 (AUTO), 1st command data set (CDS)
- IN001 (HAND), 2nd command data set (CDS)

The following indexes are associated with analog input and output parameters:

- IN000, Analog input 1
- IN001, Analog input 2

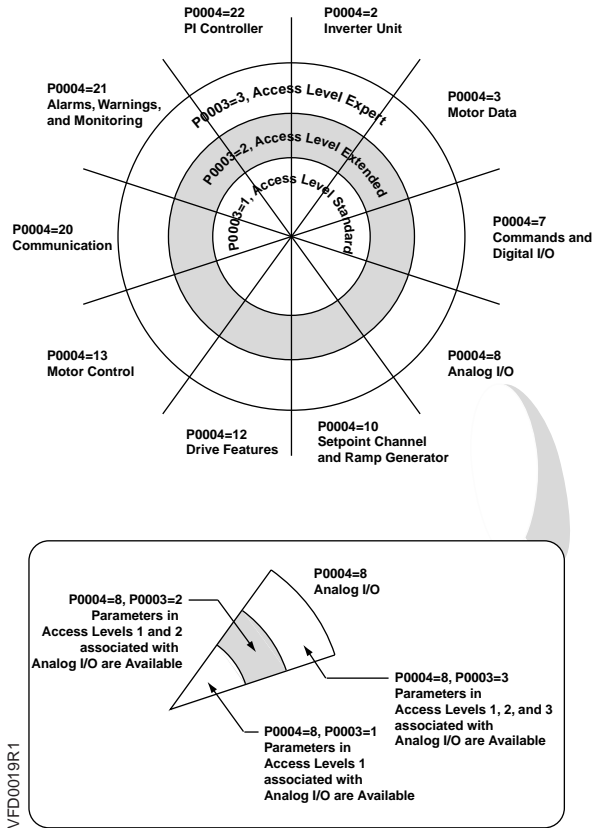


Figure 1. SED2 Parameter Access Levels and Filters.

# P0004 Parameter Filters/Categories

## Quick Commissioning (P0010=1)

Parameter	Description	Unit	User Setting	Min	Default	Max	Access Level
r0000	Drive display (defined in P0005)	—		—	—	—	All
P0003	User access level to parameters	—		0	1	4	1
P0010	Commissioning parameter filter	—		0	0	30	1
P0100	Europe/North America power settings (kW or hp)	—		0	0	2	1
P0304	Rated motor voltage	V		10	Varies	2000	1
P0305	Rated motor current	A		0.01	Varies	10000.00	1
P0307	Rated motor power	—		0.01	Varies	2000.00	1
P0308	Rated motor cosPhi	—		0.000	0.000	1.000	3
P0309	Rated motor efficiency	%		0.0	Varies	99.9	3
P0310	Rated motor frequency	Hz		12.00	50.00 or 60.00	650.00	1
P0311	Rated motor speed	1/min		0	Varies	40000	1
P0640	Motor overload factor	%		10.0	110.0	400.0	3
P0700	Selection of command source	—		0	[0] 2, [1] 1	6	1
P1000	Selection of frequency setpoint	—		0	2	77	1
P1080	Minimum frequency	Hz		0.00	0.00	650.00	1
P1082	Maximum frequency	Hz		0.00	50.00/60.00, Varies	650.00	1
P1120	Ramp—up time	s		0.00	10.00	650.00	1
P1121	Ramp—down time	s		0.00	30.00	650.00	1
P3900	End of quick commissioning	—		0	0	3	1

## Inverter (VFD) Unit (P0004=2)

Parameter	Description	Unit	User Setting	Min	Default	Max	Access Level
r0000	Drive display (defined in P0005)	—		—	—	—	All
P0003	User access level to parameters	—		0	1	4	1
P0004	Parameter filter	—		0	0	22	1
P0010	Commissioning parameter filter	—		0	0	30	1
r0018	Firmware version	—		—	—	—	3
r0026	CO: Actual DC link output voltage	V		—	—	—	3
r0039	CO: Energy consumption meter	kWh		—	—	—	3
P0040	Reset energy consumption meter	—		0	0	1	3
r0200	Actual power stack code number	—		—	—	—	3
r0206	Rated inverter (VFD) power (kW/hp)	—		—	—	—	3
r0207	Rated inverter (VFD) current	A		—	—	—	3
r0208	Rated inverter (VFD) voltage	V		—	—	—	3
r0209	Maximum inverter (VFD) current	A		—	—	—	3
P1800	Pulse frequency	kHz		2	Varies	16	2
r1801	CO: Actual switching frequency	kHz		—	—	—	3
P1820	Reverse output phase sequence	—		0	0	1	3

## Motor Data (P0004=3)

Parameter	Description	Unit	User Setting	Min	Default	Max	Access Level
r0000	Drive display (defined in P0005)	—		—	—	—	All
P0003	User access level to parameters	—		0	1	4	1
P0004	Parameter filter	—		0	0	22	1
P0010	Commissioning parameter filter	—		0	0	30	1
r0035	CO: Actual Motor temperature	°C		—	—	—	3
P0304	Rated motor voltage	V		10	Varies	2000	1
P0305	Rated motor current	A		0.01	Varies	10000.00	1

Parameter	Description	Unit	User Setting	Min	Default	Max	Access Level
P0307	Rated motor power	—		0.01	Varies	2000.00	1
P0308	Rated motor cosPhi	—		0.000	0.000	1.000	3
P0309	Rated motor efficiency	%		0.0	Varies	99.9	3
P0310	Rated motor frequency	Hz		12.00	50.00 or 60.00	650.00	1
P0311	<b>Rated motor speed</b>	1/min		0	Varies	40000	1
r0313	Motor pole pairs	—		—	—	—	3
P0340	Calculation of motor parameters	—		0	0	4	3
P0350	Stator resistance (line—to—line)	ohm		0.00001	Varies	2000.0	3
r0395	CO: Total stator resistance	%		—	—	—	3
P0601	Motor temp. sensor	—		0	0	2	3
P0610	Motor I2t temperature reaction	—		0	2	2	3
P0640	Motor overload factor	%		10.0	110.0	400.0	3
P1910	Select motor data identification	ohm		0	0	20	3
r1912	Identified stator resistance	—		—	—	—	3

## Commands and Digital I/O (P0004=7)

Parameter	Description	Unit	User Setting	Min	Default	Max	Access Level
r0000	Drive display (defined in P0005)	—		—	—	—	All
r0002	Drive state (actual)	—		—	—	—	3
P0003	User access level to parameters	—		0	1	4	1
P0004	Parameter filter	—		0	0	22	1
P0010	Commissioning parameter filter	—		0	0	30	1
r0019	CO/BO: BOP control word	—		—	—	—	3
r0050	CO: Active command data set	—		—	—	—	3
r0052	CO/BO: Actual status word 1	—		—	—	—	3
r0053	CO/BO: Actual status word 2	—		—	—	—	3
r0054	CO/BO: Actual control word 1	—		—	—	—	3
r0055	CO/BO: Additional actual control word	—		—	—	—	3
P0700	Selection of command source	—		0	[0] 2, [1] 1	6	1

SED2 VFD Parameter Reference Guide

Parameter	Description	Unit	User Setting	Min	Default	Max	Access Level
P0701	Function of digital input 1	—		0	[0] 1, [1] 0	99	2
P0702	Function of digital input 2	—		0	[0] 12, [1] 0	99	2
P0703	Function of digital input 3	—		0	9	99	2
P0704	Function of digital input 4	—		0	15	99	2
P0705	Function of digital input 5	—		0	15	99	2
P0706	Function of digital input 6	—		0	15	99	2
P0707	Function of digital input 7	—		0	0	99	3
P0708	Function of digital input 8	—		0	0	99	3
P0718	CO/BO: Hand/Auto	—		0	0	1	3
r0722	CO/BO: Binary input values	—		—	—	—	3
P0725	PNP/NPN digital inputs	—		0	1	1	3
P0731	Bl: Function of digital output 1	—		0:0	52:3	4000:0	2
P0732	Bl: Function of digital output 2	—		0:0	52:2	4000:0	2
r0747	CO/BO: State of digital outputs	—		—	—	—	3
P0748	Invert digital outputs	—		0	0	7	3
P0809	Copy Command Data Set	—		0	0	2	3
P0810	Bl: Command Data Set bit 0 (Local/Remote)	—		0:0	718:0	4095:0	3
P1020	Bl: Fixed frequency selection Bit 0	—		0:0	0:0	4000:0	3
P1021	Bl: Fixed frequency selection Bit 1	—		0:0	0:0	4000:0	3
P1022	Bl: Fixed frequency selection Bit 2	—		0:0	0:0	4000:0	3
P1023	Bl: Fixed frequency selection Bit 3	—		0:0	722:3	4000:0	3
P1026	Bl: Fixed frequency selection Bit 4	—		0:0	722:4	4000:0	3
P1028	Bl: Fixed frequency selection Bit 5	—		0:0	722:5	4000:0	3
P1110	Bl: Inhibit negative frequency setpoint	—		0:0	1	4000:0	3
P1140	Bl: RFG enable	—		0.00	1.0	4000.0	3
P1141	RFG status	—		0.00	1.0	4000.0	3
P1142	RFG enable	—		0.00	1.0	4000.0	3
P1230	Bl: Enable DC braking	—		0:0	0:0	4000:0	3
P1270	Bl: Enable essential service	—		0:0	0:0	4000:0	3

Parameter	Description	Unit	User Setting	Min	Default	Max	Access Level
P2220	BI: Fixed PID setpoint select Bit 0	—		0:0	0:0	4000:0	3
P2221	BI: Fixed PID setpoint select Bit 1	—		0:0	0:0	4000:0	3
P2222	BI: Fixed PID setpoint select Bit 2	—		0:0	0:0	4000:0	3
P2223	BI: Fixed PID setpoint select Bit 3	—		0:0	722:3	4000:0	3
P2226	BI: Fixed PID setpoint select Bit 4	—		0:0	722:4	4000:0	3
P2228	BI: Fixed PID setpoint select Bit 5	—		0:0	722:4	4000:0	3

## Analog I/O (P0004=8)

Parameter	Description	Unit	User Setting	Min	Default	Max	Access Level
r0000	Drive display (defined in P0005)	—		—	—	—	All
P0003	User access level to parameters	—		0	1	4	1
P0004	Parameter filter	—		0	0	22	1
P0010	Commissioning parameter filter	—		0	0	30	1
P0501	Type of sensor	—		0	0	29	2
r0752	Actual input of analog input (V or mA)	—		—	—	—	2
P0753	Smooth time analog input	ms		0	100	10000	3
r0754	Actual analog input value after scaling	%		—	—	—	2
r0755	CO: Actual analog input after scaling (4000h)	—		—	—	—	3
P0756	Type of analog input	—		0	0	5	2
P0757	Value x1 of analog input scaling (V/mA)	—		-50.00	0	150.0	2
P0758	Value y1 of analog input scaling	%		— 99999.9	0.0	99999.9	2
P0759	Value x2 of analog input scaling (V/mA)	—		-50.0	150.0	150.0	2
P0760	Value y2 of analog input scaling	%		— 99999.9	100.0	99999.9	2
P0761	Width of analog input deadband (V/mA)	—		0	0	150.0	3
P0771	CI: Analog output	—		0:0	21:0	4000:0	2
P0773	Smooth time analog output	ms		0	100	1000	3

Parameter	Description	Unit	User Setting	Min	Default	Max	Access Level
r0774	Actual analog output value (V or mA)	—		—	—	—	3
P0776	Type of analog output	—		0	1	1	3
P0777	Value x1 of analog output scaling	%		— 99999.0	0.0	99999.0	2
P0778	Value y1 of analog output scaling	—		0	0	20	2
P0779	Value x2 of analog output scaling	%		— 99999.0	100.0	99999.0	2
P0780	Value y2 of analog output scaling	—		0	10	20	2
P0781	Width of analog output deadband	—		0	0	20	3

## Setpoint Channel and Ramp Generator (P0004=10)

Parameter	Description	Unit	User Setting	Min	Default	Max	Access Level
r0000	Drive display (defined in P0005)	—		—	—	—	All
P0003	User access level to parameters	—		0	1	4	1
P0004	Parameter filter	—		0	0	22	1
P0010	Commissioning parameter filter	—		0	0	30	1
P1000	Selection of frequency setpoint	—		0	2	77	1
P1001	Fixed frequency 1	Hz		—650.0	0.00	650.00	2
P1002	Fixed frequency 2	Hz		—650.0	5.00	650.00	3
P1003	Fixed frequency 3	Hz		—650.0	10.00	650.00	3
P1004	Fixed frequency 4	Hz		—650.0	15.00	650.00	3
P1005	Fixed frequency 5	Hz		—650.0	20.00	650.00	3
P1006	Fixed frequency 6	Hz		—650.0	25.00	650.00	3
P1007	Fixed frequency 7	Hz		—650.0	30.00	650.00	3
P1008	Fixed frequency 8	Hz		—650.0	35.00	650.00	3
P1009	Fixed frequency 9	Hz		—650.0	40.00	650.00	3
P1010	Fixed frequency 10	Hz		—650.0	45.00	650.00	3
P1011	Fixed frequency 11	Hz		—650.0	50.00	650.00	3
P1012	Fixed frequency 12	Hz		—650.0	55.00	650.00	3
P1013	Fixed frequency 13	Hz		—650.0	60.00	650.00	3
P1014	Fixed frequency 14	Hz		—650.0	65.00	650.00	3



Parameter	Description	Unit	User Setting	Min	Default	Max	Access Level
P1015	Fixed frequency 15	Hz		-650.0	65.00	650.00	3
P1016	Fixed frequency mode—Bit 0	—		1	1	3	3
P1017	Fixed frequency mode—Bit 1	—		1	1	3	3
P1018	Fixed frequency mode—Bit 2	—		1	1	3	3
P1019	Fixed frequency mode—Bit 3	—		1	1	3	3
r1024	CO: Actual fixed frequency	Hz		—	—	—	3
P1025	Fixed frequency mode – Bit 4	—		1	1	3	3
P1027	Fixed frequency mode – Bit 5	—		1	1	2	3
P1031	Setpoint memory of the motor potentiometer	—		0	1	1	3
P1032	Inhibit reverse direction of motor potentiometer	—		0	1	1	3
P1040	Setpoint of the motor potentiometer	Hz		-650.00	10.00	650.00	2
r1050	CO: Actual Output frequency of the motor potentiometer	—		—	—	—	3
r1078	CO: Total frequency setpoint	Hz		—	—	—	3
P1080	Minimum frequency	Hz		0.00	10.00	650.00	1
P1082	Maximum frequency	Hz		0.00	50.00/ 60.00, Varies	150.00	1
P1091	Skip frequency 1	Hz		0.00	0.00	650.00	3
P1092	Skip frequency 2	Hz		0.00	0.00	650.00	3
P1093	Skip frequency 3	Hz		0.00	0.00	650.00	3
P1094	Skip frequency 4	Hz		0.00	0.00	650.00	3
P1101	Skip frequency bandwidth	Hz		0.00	2.00	10.00	3
P1120	Ramp—up time	s		0.00	10.00	650.00	1
P1121	Ramp—down time	s		0.00	30.00	650.00	1
P1135	OFF3 ramp—down time	s		0.00	5.00	650.00	3

## Drive Features (P0004=12)

Parameter	Description	Unit	User Setting	Min	Default	Max	Access Level
r0000	Drive display (defined in P0005)	—		—	—	—	All
P0003	User access level to parameters	—		0	1	4	1
P0004	Parameter filter	—		0	0	22	1
P0005	Display selection for r0000	—		2	21	2294	2
P0006	Display mode for r0000	—		0	2	4	3

Parameter	Description	Unit	User Setting	Min	Default	Max	Access Level
P0010	Commissioning parameter filter	—		0	0	30	1
P0011	Lock for user-defined parameter	—		0	0	65535	3
P0012	Key for user-defined parameter	—		0	0	65535	3
P0013	User-defined parameter	—		0	0	65535	3
P1200	Flying start	—		0	0	6	3
P1202	Motor-current: Flying start	%		10	100	200	3
P1203	Search rate: Flying start	%		10	100	200	3
P1210	Automatic restart	—		0	1	5	3
P1211	Number of restart attempts	—		0	3	10	3
P1212	Time to first restart	s		0	30	1000	3
P1213	Restart time increment	s		0	30	1000	3
P1232	DC braking current	%		0	100	250	3
P1233	Duration of DC braking	s		0	0	250	3
P1236	Compound braking current	%		0	0	250	3
P1240	Configuration of Vdc controller	—		0	1	3	3

## Motor Control (P0004=13)

Parameter	Description	Unit	User Setting	Min	Default	Max	Access Level
r0000	Drive display (defined in P0005)	—		—	—	—	All
P0003	User access level to parameters	—		0	1	4	1
P0004	Parameter filter	—		0	0	22	1
P0010	Commissioning parameter filter	—		0	0	30	1
r0020	CO: Actual frequency setpoint	Hz		—	—	—	3
r0021	CO: Actual frequency	Hz		—	—	—	3
r0022	Actual rotor speed	1/min		—	—	—	3
r0024	CO: Actual output frequency	Hz		—	—	—	3
r0025	CO: Actual output voltage	V		—	—	—	3
r0027	CO: Actual output current	A		—	—	—	3
r0031	Actual torque	—		—	—	—	3
r0032	Actual power	Nm		—	—	—	3
r0056	CO/BO: Status of motor control	—		—	—	—	3

Parameter	Description	Unit	User Setting	Min	Default	Max	Access Level
r0061	Actual rotor speed	—		—	—	—	3
r0086	CO: Actual active current	A		—	—	—	3
P1300	Control mode	—		0	2	23	3
P1310	Continuous boost	%		0.0	50.0	250.0	3
P1311	Acceleration boost	%		0.0	0.0	250.0	3
P1312	Starting boost	%		0.0	0.0	250.0	3
P1335	Slip compensation	%		0.0	0.0	600.0	3
P1336	Slip limit	%		0	250	600	3
r1337	CO: V/f slip frequency	%		—	—	—	3

## Communication (P0010=20)

Parameter	Description	Unit	User Setting	Min	Default	Max	Access Level
r0000	Drive display (defined in P0005)	—		—	—	—	All
P0003	User access level to parameters	—		0	1	4	1
P0004	Parameter filter	—		0	0	22	1
P0010	Commissioning parameter filter	—		0	0	30	1
P0918	Communication board address	—		0	3	65535	3
P0927	Parameter changeable via	—		0	—	15	3
r0967	Control word 1	—		—	—	—	3
r0968	Status word 1	—		—	—	—	3
P0971	Transfer data from RAM to EEPROM	—		0	0	1	3
P2000	Reference frequency	Hz		1.00	50/60	650.00	2
P2001	Reference voltage	V		10	1000	2000	3
P2002	Reference current	A		0.10	Varies	10000.00	3
P2009	USS normalization	—		0	0	1	3
P2010	USS baud rate	—		4	6	12	3
P2011	USS address	—		0	0	31	3
P2014	USS telegram off time	ms		0	0	65535	3
P2040	CB telegram off time	ms		0	20	65535	3
P2041	CB parameter	—		0	0	65535	3
r2050	PZD from CB	—		—	—	—	3
P2051	CI: PZD to CB	—		0.0	52.0	4000.0	3
r2053	Communication board identification	—		—	—	—	3

Parameter	Description	Unit	User Setting	Min	Default	Max	Access Level
r2054	Communication board diagnosis	—		—	—	—	3

## Alarms, Warnings and Monitoring (P0010=21)

Parameter	Description	Unit	User Setting	Min	Default	Max	Access Level
r0000	Drive display (defined in P0005)	—		—	—	—	All
P0003	User access level to parameters	—		0	1	4	1
P0004	Parameter filter	—		0	0	22	1
P0010	Commissioning parameter filter	—		0	0	30	1
r0947	Last fault code	—		—	—	—	3
r0948	Fault time	—		—	—	—	3
r0949	Fault value	—		—	—	—	3
P0952	Total number of faults	—		0	0	8	3
P2100	Alarm number selection	—		0	0	65535	3
P2101	Stop reaction value	—		0	0	5	3
r2110	Warning number	—		—	—	—	3
P2111	Total number of warnings	—		0	0	4	3
r2114	Run time counter	—		—	—	—	3
P2115	AOP real time clock	—		0	0	65535	3
P2155	Threshold frequency f_1	Hz		0.00	30.00	650.00	3
P2156	Delay time of threshold frequency f_1	ms		0	10	10000	3
P2167	Switch-off frequency f_off	Hz		0.00	1.00	10.00	3
P2168	Delay time T_off	ms		0	10	10000	3
P2181	Belt failure detection mode	—		0	0	6	3
P2182	Belt threshold frequency 1	Hz		0.00	5.00	650.00	3
P2183	Belt threshold frequency 2	Hz		0.00	30.00	650.00	3
P2184	Belt threshold frequency 3	Hz		0.00	50.00	650.00	3
P2185	Upper torque threshold 1	Nm		0.0	99999.0	99999.0	3
P2186	Lower torque threshold 1	Nm		0.0	0.0	99999.0	3
P2187	Upper torque threshold 2	Nm		0.0	99999.0	99999.0	3
P2188	Lower torque threshold 2	Nm		0.0	0.0	99999.0	3
P2189	Upper torque threshold 3	Nm		0.0	99999.0	99999.0	3
P2190	Lower torque threshold 3	Nm		0.0	0.0	99999.0	3

Parameter	Description	Unit	User Setting	Min	Default	Max	Access Level
P2191	Belt failure speed tolerance	Hz		0.00	3.00	20.00	3
P2192	Time delay for belt failure	s		0	10	65	3
r2197	CO/BO: Monitoring word 1	—		—	—	—	3
r2198	CO/BO: Monitoring word 2	—		—	—	—	3

## PI Controller (P0004=22)

Parameter	Description	Unit	User Setting	Min	Default	Max	Access Level
r0000	Drive display (defined in P0005)	—		—	—	—	All
P0003	User access level to parameters	—		0	1	4	1
P0004	Parameter filter	—		0	0	22	1
P0010	Commissioning parameter filter	—		0	0	30	1
P2200	BI: Enable PID controller	—		0:0	0:0	4000:0	2
P2201	Fixed PID setpoint 1	%		—200.00	0.00	200.00	3
P2202	Fixed PID setpoint 2	%		—200.00	10.00	200.00	3
P2203	Fixed PID setpoint 3	%		—200.00	20.00	200.00	3
P2204	Fixed PID setpoint 4	%		—200.00	30.00	200.00	3
P2205	Fixed PID setpoint 5	%		—200.00	40.00	200.00	3
P2206	Fixed PID setpoint 6	%		—200.00	50.00	200.00	3
P2207	Fixed PID setpoint 7	%		—200.00	60.00	200.00	3
P2208	Fixed PID setpoint 8	%		—200.00	70.00	200.00	3
P2209	Fixed PID setpoint 9	%		—200.00	80.00	200.00	3
P2210	Fixed PID setpoint 10	%		—200.00	90.00	200.00	3
P2211	Fixed PID setpoint 11	%		—200.00	100.00	200.00	3
P2212	Fixed PID setpoint 12	%		—200.00	110.00	200.00	3
P2213	Fixed PID setpoint 13	%		—200.00	120.00	200.00	3
P2214	Fixed PID setpoint 14	%		—200.00	130.00	200.00	3
P2215	Fixed PID setpoint 15	%		—200.00	130.00	200.00	3
P2216	Fixed PID setpoint mode— Bit 0	—		1	1	3	3
P2217	Fixed PID setpoint mode— Bit 1	—		1	1	3	3
P2218	Fixed PID setpoint mode— Bit 2	—		1	1	3	3
P2219	Fixed PID setpoint mode— Bit 3	—		1	1	3	3
r2224	CO: Actual fixed PID setpoint	%		—	—	—	3

SED2 VFD Parameter Reference Guide

Parameter	Description	Unit	User Setting	Min	Default	Max	Access Level
P2225	Fixed PID setpoint mode— Bit 4	—		1	1	2	3
P2227	Fixed PID setpoint mode— Bit 5	—		1	1	2	3
P2231	Setpoint memory of PID— MOP	—		0	1	1	3
P2232	Inhibit rev. direct. of PID— MOP	—		0	1	1	3
P2240	Setpoint of PID—MOP	%		—200.00	10.00	200.00	3
r2250	CO: Output setpoint of PID— MOP	%		—	—	—	3
P2253	Cl: PID setpoint	—		0:0	2250:0	4000:0	3
P2254	Cl: PID trim	—		0:0	0:0	4000:0	3
P2261	PID setpoint filter	—		0.00	0.00	60.00	3
r2262	CO: Actual PID filtered setpoint	%		—	—	—	3
P2264	Cl: PID feedback	—		0:0	755:1	4000:0	3
P2265	PID feedback filter time constant	s		0.00	0.00	60.00	3
P2267	Maximum value for PID feedback	%		—200.00	150.00	200.00	3
P2268	Minimum value for PID feedback	%		—200.00	0.00	200.00	3
P2269	Gain applied to PID feedback	—		0.00	100.00	500.00	3
P2270	PID feedback function selector	—		0	0	3	3
P2271	PID transducer type	—		0	0	1	3
r2272	CO: PID scaled feedback	%		—	—	—	3
r2273	CO: PID error	%		—	—	—	3
P2274	PID derivative time	s		0	0	65535	2
P2279	PID neutral zone	%		0.00	0.00	100.00	3
P2280	PID proportional gain	—		0.000	1.200	65.000	2
P2285	PID integral time	s		0	30	65535	2
P2291	PID output upper limit	%		0.00	100.00	100.00	2
P2292	PID output lower limit	%		—200.00	0.00	200.00	2
P2293	PID limit ramp time	s		0.00	0.00	100.00	3
r2294	CO: Actual PID output	%		—	—	—	3
P2303	PID output offset	—		0.0	0.0	4000.0	2
P2304	PID opening time	—		0	0	65535	2
P2305	PID closing time	—		0	0	65535	2
P2306	PID action	—		0	1	1	2

Parameter	Description	Unit	User Setting	Min	Default	Max	Access Level
P2370	Selection of motor staging stop mode	—		0	0	1	3
P2371	Selection of external motor configuration	—		0	0	8	3
P2372	Enable motor cycling	—		0	0	1	3
P2373	Motor staging hysteresis	%		0.0	20.0	200.0	3
P2374	Motor staging delay	s		0	30	650	3
P2375	Motor destaging delay	s		0	30	650	3
P2376	Delay override	%		0.0	25.0	200.0	3
P2377	Delay override lockout timer	s		0	30	650	3
P2378	Staging frequency $f$ , % $f_{max}$	%		0.0	50.0	120.0	3
r2379	CO/BO: Status of motor staging	—		—	—	—	3
P2380	Motor hours run	h		0	0	100000	3
P2390	Hibernation setpoint	%		-200.00	0.00	200.00	3
P2391	Hibernation timer	s		0	0	254	3
P2392	Restart PID error	%		-200.00	0.00	200.00	3

## Restore Factory Settings

Parameter	Description	Unit	User Setting	Min	Default	Max	Access Level
P0003	User access level	—		0	1	4	1
P0010	Commissioning parameter filter	—		0	0	30	1
P0970	Factory reset	—		0	0	1	1

# Parameter Details (Numeric Listing)

---

<b>r0000</b>	<b>Drive display</b>				<b>Level 1</b>
	Min: -	Def: -	Max: -		
	Unit: -				

**Details:**

Displays user-selected output, defined via P0005.

**Note:**

Pressing the **Fn** button for 2 seconds allows you to view the values of DC link voltage, output frequency, output current, and the selected r0000 setting (defined via P0005).

<b>r0002</b>	<b>Drive state</b>				<b>Level 3</b>
	Min: -	Def: -	Max: -		
	Unit: -				

**Details:**

Displays actual SED2 state.

**Enum:**

- 0 Commissioning mode (P0010=0)
- 1 SED2 ready
- 2 SED2 fault active
- 3 SED2 starting (DC-link precharging)
- 4 SED2 running
- 5 Stopping (ramping down)

**Dependency:**

State 3 is visible only while precharging the DC link and when an externally powered communications module is installed.

<b>P0003</b>	<b>User access level</b>				<b>Level 1</b>
	Min: 0	Def: 1	Max: 4		
	Unit: -				

**Details:**

Defines user access level to parameters. The default setting (standard) is sufficient for most simple applications.

**Enum:**

- 0 User-defined parameter list; see P0013 for details.
- 1 Standard: For access to the most frequently used parameters.
- 2 Extended: For access to additional parameters for supplemental operations such as SED2 I/O functions.
- 3 Expert: For skilled, authorized users familiar with SED2 operations and functions.
- 4 Service: For use by trained, authorized service personal only; password protected.



---



---

<b>P0004</b>	<b>Parameter filter</b>		<b>Level 1</b>
	Min: 0	Def: 0	Max: 22
	Unit: -		

---

**Details:**

Filters available parameters according to functionality to enable a more focused operational approach.

**Enum:**

- 0 All parameters
- 2 SED2 drive
- 3 Motor
- 4 Speed sensor
- 5 Technology application/units
- 7 Commands, binary I/O
- 8 Analog inputs and analog outputs
- 10 Setpoint channel/remote frequency generator
- 12 SED2 features
- 13 Motor control
- 20 Communication
- 21 Alarms/warnings/monitoring
- 22 Technology controller (such as PID controller)

**Example:**

P0004=22 specifies that only PID parameters will be visible.

**Note:**

The SED2 will start with any setting of P0004.

---



---

<b>P0005</b>	<b>Display selection</b>		<b>Level 2</b>
	Min: 2	Def: 21	Max: 2294
	Unit: -		

---

**Details:**

Selects display for parameter r0000 (SED2 display).

**Settings:**

- 21 Actual frequency
- 25 Output voltage
- 26 DC link voltage
- 27 Output current

**Note:**

These settings refer to read only parameter numbers ("rxxxx").

**Reference:**

See relevant "rxxxx" parameter descriptions.

<b>P0006</b>	<b>Display mode</b>	<b>Level 3</b>
	Min: 0      Def: 2      Max: 4	
	Unit: -	

**Details:**

Defines mode of display for r0000 (SED2 display).

**Enum:**

- 0 In ready state, display alternates between setpoint and output frequency. In run state, display shows output frequency.
- 1 In ready state, display shows setpoint. In run state, display shows output frequency.
- 2 In ready state, display alternates between P0005 value and r0020 value. In run state, display shows P0005 value.
- 3 In ready state, display alternates between r0002 value and r0020 value. In run state, display shows r0002 value.
- 4 In all states, display shows P0005 value.

**Note:**

When SED2 is not running, the display alternates between the values for "Not Running" and "Running".

<b>P0010</b>	<b>Commissioning parameter filter</b>	<b>Level 1</b>
	Min: 0      Def: 0      Max: 30	
	Unit: -	

**Details:**

Filters parameters so that only those related to a particular functional group are selected.

**Enum:**

- 0 Ready
- 1 Quick commissioning
- 2 SED2
- 29 Download
- 30 Factory setting

**Dependency:**

Reset to 0 for SED2 to run.

**Note:**

P0003 (user access level) determines access to commissioning parameters.

If P3900 is not 0 (P3900=0 is the default), this parameter is automatically reset to 0.

---



---

<b>P0011</b>	<b>Lock for user-defined parameter</b>	<b>Level 3</b>
	Min: 0      Def: 0      Max: 65535	
	Unit: -	

---

**Details:**  
See P0013 (user-defined parameter).

---



---

<b>P0012</b>	<b>Key for user-defined parameter</b>	<b>Level 3</b>
	Min: 0      Def: 0      Max: 65535	
	Unit: -	

---

**Details:**  
See P0013 (user-defined parameter).

---



---

<b>P0013[20]</b>	<b>User-defined parameter</b>	<b>Level 3</b>
	Min: 0      Def: 0      Max: 65535	
	Unit: -	

---

**Details:**  
Defines a limited set of parameters to which the end user will have access.

To use, do the following:

1. Set P0003=3 (expert user access level).
2. Access P0013 indexes 0 to 16 (user-defined parameter list).
3. In P0013 index 0 to 16, enter the parameters required to be visible in the user-defined parameter list.

The following values are fixed and cannot be changed:

- P0013 index 19=12 (key for user-defined parameter)
- P0013 index 18=10 (commissioning parameter filter)
- P0013 index 17=3 (expert user access level)

4. Set P0003=0 to activate the user-defined parameter list.

**Index:**

P0013[0]=1st user parameter	P0013[11]=12th user parameter
P0013[1]=2nd user parameter	P0013[12]=13th user parameter
P0013[2]=3rd user parameter	P0013[13]=14th user parameter
P0013[3]=4th user parameter	P0013[14]=15th user parameter
P0013[4]=5th user parameter	P0013[15]=16th user parameter
P0013[5]=6th user parameter	P0013[16]=17th user parameter
P0013[6]=7th user parameter	P0013[17]=18th user parameter
P0013[7]=8th user parameter	P0013[18]=19th user parameter
P0013[8]=9th user parameter	P0013[19]=20th user parameter
P0013[9]=10th user parameter	
P0013[10]=11th user parameter	

**Dependency:**

First, set P0011 ("lock") to a different value than P0012 ("key") to prevent changes to user-defined parameter list. Then, set P0003=0 to activate the user-defined parameter list.

When locked and when the user-defined parameter is activated, the only way to exit the user-defined parameter list (and to view other parameters) is to set P0012 ("key") to the value in P0011 ("lock").

**Note:**

Alternatively, set P0010=30 (commissioning parameter filter, factory setting) and P0970=1 (factory reset) to perform a complete factory reset.

The default values of P0011 ("lock") and P0012 ("key") are the same.

---

<b>r0018</b>	<b>Firmware version</b>	<b>Level 3</b>
	<b>Min:</b> - <b>Def:</b> - <b>Max:</b> -	
	<b>Unit:</b> -	

---

**Details:**

Displays version number of installed firmware.

---

<b>r0019</b>	<b>CO/BO: BOP control word</b>	<b>Level 3</b>
	<b>Min:</b> - <b>Def:</b> - <b>Max:</b> -	
	<b>Unit:</b> -	

---

**Details:**

Displays status of operator panel commands.

The following settings are used as the "source" codes for keypad control when connecting to BiCo input parameters.

**Bitfields:**

Bit00	ON/OFF1	0 NO	1 YES
Bit02	Reserved		
Bit03	Reserved		
Bit01	OFF2: Electrical stop	0 YES	1 NO
Bit08	JOG right	0 NO	1 YES
Bit11	Reverse (setpoint inversion)	0 NO	1 YES
Bit12	Hand Operation	0 NO	1 YES
Bit13	Motor potentiometer up	0 NO	1 YES
Bit14	Motor potentiometer down	0 NO	1 YES
Bit15	Auto Operation	0 NO	1 YES

**Note:**

When BiCo technology is used to allocate functions to panel buttons, this parameter displays the actual status of the relevant command.

The following functions can be "connected" to individual buttons:

- ON/OFF1
- OFF2
- JOG
- REVERSE
- INCREASE
- DECREASE

---

<b>r0020</b>	<b>CO: Actual frequency setpoint</b>	<b>Level 3</b>
	Min: -      Def: -      Max: -	
	Unit: Hz	

---

**Details:**  
Displays actual frequency setpoint (output from ramp function generator).

---

<b>r0021</b>	<b>CO: Actual frequency</b>	<b>Level 3</b>
	Min: -      Def: -      Max: -	
	Unit: Hz	

---

**Details:**  
Displays actual output frequency (r0024), *excluding* slip compensation, resonance damping, and frequency limitation.

---

<b>r0022</b>	<b>Actual rotor speed</b>	<b>Level 3</b>
	Min: -      Def: -      Max: -	
	Unit: 1/min	

---

**Details:**  
Displays calculated rotor speed based on SED2 output frequency Hz x 120/number of poles.

**Note:**  
This calculation makes no allowance for load-dependent slip.

---

<b>r0024</b>	<b>CO: Actual output frequency</b>	<b>Level 3</b>
	Min: -      Def: -      Max: -	
	Unit: Hz	

---

**Details:**  
Displays actual output frequency, *including* slip compensation, resonance damping, and frequency limitation.

---

<b>r0025</b>	<b>CO: Actual output voltage</b>	<b>Level 3</b>
	Min: -      Def: -      Max: -	
	Unit: V	

---

**Details:**  
Displays rms voltage applied to motor.

---

<b>r0026[2]</b>	<b>CO: Actual DC-link voltage</b>	<b>Level 3</b>
	Min: -      Def: -      Max: -	
	Unit: V	

---

**Details:**  
Displays DC-link voltage.

---



---

<b>r0027</b>	<b>CO: Actual output current</b>	<b>Level 3</b>
	Min: -      Def: -      Max: -	
	Unit: A	

---

**Details:**  
Displays rms value of motor current (A).

**Note:**  
For asynchronous motors, a limit is calculated for the torque generating current component to prevent motor stalling. This limit is calculated in conjunction with the maximum possible output voltage, motor leakage, and current field weakening.

---



---

<b>r0031</b>	<b>CO: Actual torque</b>	<b>Level 3</b>
	Min: -      Def: -      Max: -	
	Unit: Nm	

---

**Details:**  
Displays motor torque.

---



---

<b>r0032</b>	<b>CO: Actual power</b>	<b>Level 3</b>
	Min: -      Def: -      Max: -	
	Unit: -	

---

**Details:**  
Displays motor power.

**Dependency:**  
Value displays in kW or hp depending on setting for P0100 (operation for Europe/North America).

---



---

<b>r0035</b>	<b>CO: Actual motor temperature</b>	<b>Level 3</b>
	Min: -      Def: -      Max: -	
	Unit: °C	

---

**Details:**  
Displays measured motor temperature.

---



---

<b>r0039</b>	<b>CO: Energy consumption meter (kWh)</b>	<b>Level 3</b>
	Min: -      Def: -      Max: -	
	Unit: kWh	

---

**Details:**  
Displays electrical energy used by SED2 since display was last reset (see P0040, reset energy consumption meter).

**Dependency:**  
Value is reset via P3900=1 (end quick commissioning), P0970=1 (factory reset), or P0040=1 (reset energy consumption meter).

---



---

<b>P0040</b>	<b>Reset energy consumption meter</b>	<b>Level 3</b>
	Min: 0      Def: 0      Max: 1	
	Unit: -	

---

**Details:**

Resets value of parameter r0039 (energy consumption meter) to zero.

**Enum:**

- 0 No reset
- 1 Reset r0039 to 0

**Dependency:**

No reset until you press P.

---



---

<b>r0050</b>	<b>CO/BO Active command data set</b>	<b>Level 3</b>
	Min: -      Def: -      Max: -	
	Unit: -	

---

**Details:**

Displays currently selected and active binector and connector (BiCo) data set.

**Enum:**

- 0 1st Command data set (CDS)
- 1 2nd Command data set (CDS)

---



---

<b>r0052</b>	<b>CO/BO: Actual status word 1</b>	<b>Level 3</b>
	Min: -      Def: -      Max: -	
	Unit: -	

---

**Details:**

Displays first status word of SED2 (bit format). Can be used to diagnose SED2 status.

**Bitfields:**

Bit00	SED2 ready	0 NO	1 YES
Bit01	SED2 ready to run	0 NO	1 YES
Bit02	SED2 running	0 NO	1 YES
Bit03	SED2 fault active	0 NO	1 YES
Bit04	OFF2 active	0 YES	1 NO
Bit05	OFF3 active	0 YES	1 NO
Bit06	ON inhibit active	0 NO	1 YES
Bit07	SED2 warning active	0 NO	1 YES
Bit08	Deviation setpoint/Actual value	0 YES	1 NO
Bit09	PZD control	0 NO	1 YES
Bit10	Maximum frequency reached	0 NO	1 YES
Bit11	Warning: Motor current limit	0 YES	1 NO
Bit12	Motor holding brake active	0 NO	1 YES
Bit13	Motor overload	0 YES	1 NO
Bit14	Motor runs direction right	0 NO	1 YES
Bit15	SED2 overload	0 YES	1 NO

**Note:**

Output of Bit3 (Fault) will be inverted on digital output (Low=Fault, High=No Fault).

<b>r0053</b>	<b>CO/BO: Actual status word 2</b>	<b>Level 3</b>
	Min: - Def: - Max: -	
	Unit: -	

**Details:**

Displays second status word of SED2 (bit format).

**Bitfields:**

Bit00	DC brake active	0 NO	1 YES
Bit01	Actual frequency r0021>P2167 (f_off)	0 NO	1 YES
Bit02	Actual frequency r0021>P1080 (f_min)	0 NO	1 YES
Bit03	Actual current r0027>=P0305	0 NO	1 YES
Bit04	Actual frequency r0021>=P2155 (f_1)	0 NO	1 YES
Bit05	Actual frequency r0021<P2155 (f_1)	0 NO	1 YES
Bit06	Actual frequency r0021>=setpoint	0 NO	1 YES
Bit07	Actual Vdc r0026<800V	0 NO	1 YES
Bit08	Actual Vdc r0026>800V	0 NO	1 YES
Bit09	Ramping finished	0 NO	1 YES
Bit10	PID output r2294 == P2292 (PID_min)	0 NO	1 YES
Bit11	PID output r2294 == P2291 (PID_max)	0 NO	1 YES
Bit12	Reserved		
Bit13	Reserved		
Bit14	Download data set 0 from AOP	0 NO	1 YES
Bit15	Download data set 1 from AOP	0 NO	1 YES

<b>r0054</b>	<b>CO/BO: Actual control word 1</b>	<b>Level 3</b>
	Min: - Def: - Max: -	
	Unit: -	

**Details:**

Displays first control word of SED2 and can be used to diagnose which commands are active.

**Bitfields:**

Bit00	ON/OFF1	0 NO	1 YES
Bit01	OFF2: Electrical stop	0 YES	1 NO
Bit02	OFF3: Fast stop	0 YES	1 NO
Bit03	Pulse enable	0 NO	1 YES
Bit04	RFG (ramp function gen.) enable	0 NO	1 YES
Bit05	RFG (ramp function gen.) start	0 NO	1 YES
Bit06	Setpoint enable	0 NO	1 YES
Bit07	Fault acknowledge	0 NO	1 YES
Bit08	JOG righ	0 NO	1 YES
Bit09	JOG left	0 NO	1 YES
Bit10	Control from PLC	0 NO	1 YES
Bit11	Reverse (setpoint inversion)	0 NO	1 YES
Bit13	Motor potentiometer MOP up	0 NO	1 YES
Bit14	Motor potentiometer MOP down	0 NO	1 YES
Bit15	CDS Bit 0 (Local/Remote)	0 NO	1 YES



---



---

<b>r0055</b>	<b>CO/BO: Additional Actual control word</b>	<b>Level 3</b>
	<b>Min:</b> - <b>Def:</b> - <b>Max:</b> -	
	<b>Unit:</b> -	

---

**Details:**  
Displays additional control word of SED2.

**Bitfields:**

Bit00	Fixed frequency Bit 0	0 NO	1 YES
Bit01	Fixed frequency Bit 1	0 NO	1 YES
Bit02	Fixed frequency Bit 2	0 NO	1 YES
Bit03	Fixed frequency Bit 3	0 NO	1 YES
Bit08	PID enabled	0 NO	1 YES
Bit09	DC brake enabled	0 NO	1 YES
Bit11	Droop	0 NO	1 YES
Bit12	Torque control	0 NO	1 YES
Bit13	External fault 1	0 YES	1 NO

---



---

<b>r0056</b>	<b>CO/BO: Status of motor control</b>	<b>Level 3</b>
	<b>Min:</b> - <b>Def:</b> - <b>Max:</b> -	
	<b>Unit:</b> -	

---

**Details:**  
Displays status of motor control and can be used to diagnose SED2 status.

**Bitfields:**

Bit00	Initial control finished	0 NO	1 YES
Bit01	Motor demagnetizing finished	0 NO	1 YES
Bit02	Pulses enabled	0 NO	1 YES
Bit03	Voltage soft start select	0 NO	1 YES
Bit04	Motor excitation finished	0 NO	1 YES
Bit05	Starting boost active	0 NO	1 YES
Bit06	Acceleration boost active	0 NO	1 YES
Bit07	Frequency is negative	0 NO	1 YES
Bit08	Field weakening active	0 NO	1 YES
Bit09	Volts setpoint limited	0 NO	1 YES
Bit10	Slip frequency limited	0 NO	1 YES
Bit11	F_out > F_max Frequency limited	0 NO	1 YES
Bit12	Phase reversal selected	0 NO	1 YES
Bit13	I-max controller active	0 NO	1 YES
Bit14	Vdc-max controller active	0 NO	1 YES
Bit15	Vdc-min controller active	0 NO	1 YES

---



---

<b>r0061</b>	<b>CO: Actual rotor speed</b>	<b>Level 3</b>
	<b>Min:</b> - <b>Def:</b> - <b>Max:</b> -	
	<b>Unit:</b> Hz	

---

**Details:**  
Displays current speed detected by encoder.

<b>r0086</b>	<b>CO: Actual active current</b>	<b>Level 3</b>
	Min: -      Def: -      Max: -	
	Unit: A	

**Details:**

Displays active (real part) of motor current.

**Dependency:**

Applies when V/f control is selected in P1300 (control mode); otherwise, the display shows the value zero.

<b>P0100</b>	<b>Europe/North America</b>	<b>Level 1</b>
	Min: 0      Def: 0      Max: 2	
	Unit: -	

**Details:**

Determines whether power settings (such as, P0307 rated motor power) are expressed in kW or hp.

The setting of P100 automatically determines the default settings for P0310 nominal rating plate frequency, P1082 maximum motor frequency, and P2000 reference frequency.

**Enum:**

- 0 Europe (kW), frequency 50 Hz, default
- 1 North America (hp), frequency 60 Hz
- 2 North America (kW), frequency 60 Hz

**Dependency:**

The setting of DIP switch 2 on the control module (under the I/O module) determines the validity of P0100 settings 0 and 1 according to the following table:

DIP Switch 2 Position	Power and Frequency		P0100 Setting	Power and Frequency
Off	kW, 50 Hz	Overwrites	1	hp, 60 Hz
On	hp, 60 Hz	Overwrites	0	kW, 50 Hz

Before you change this parameter, stop the SED2 (that is, disable all pulses).

P0010=1 (commissioning mode) enables changes to be made.

Changing P0100 resets all rated motor parameters as well as other parameters that depend on the rated motor parameters (see P0340, calculation of motor parameters).

**Note:**

P0100 setting 2 (North America kW, frequency default 60 Hz) is not overwritten by the setting of DIP switch 2.

---

<b>r0200</b>	<b>Actual power stack code number</b>	<b>Level 3</b>
	Min: -      Def: -      Max: -	
	Unit: -	

---

**Details:**

Identifies hardware variant.

**Note:**

Parameter r0200=0 indicates that no power stack has been identified.

---

<b>r0206</b>	<b>Rated SED2 power (kW)/(hp)</b>	<b>Level 3</b>
	Min: -      Def: -      Max:	
	Unit: -	

---

**Details:**

Displays nominal rated motor power from SED2.

**Dependency:**

Value displaye in kW or hp depending on setting for P0100 (operation for Europe/North America).

---

<b>r0207</b>	<b>Rated SED2 current</b>	<b>Level 3</b>
	Min: -      Def: -      Max: -	
	Unit: A	

---

**Details:**

Displays maximum continuous output current of SED2.

---

<b>r0208</b>	<b>Rated SED2 voltage</b>	<b>Level 3</b>
	Min: -      Def: -      Max: -	
	Unit: V	

---

**Details:**

Displays nominal AC supply voltage of SED2.

**Value:**

r0208=230 : 200 to 240V +/- 10%  
 r0208=400 : 380 to 480V +/- 10%  
 r0208=575 : 500 to 600V +/- 10%

---

<b>r0209</b>	<b>Maximum SED2 current</b>	<b>Level 3</b>
	Min: -      Def: -      Max:	
	Unit: A	

---

**Details:**

Displays maximum output current of SED2.

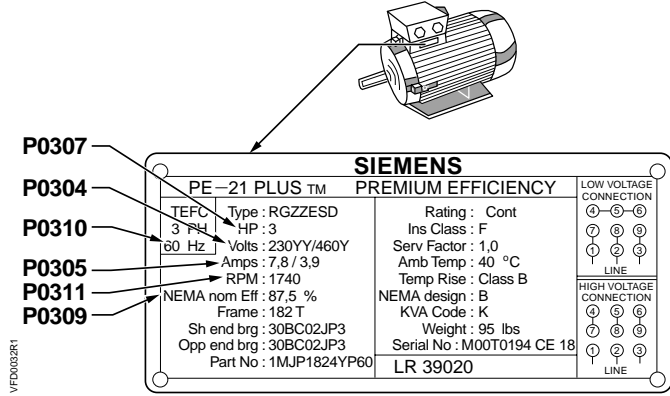
**P0304**      **Rated motor voltage**      **Level 1**  
 Min: 10      Def: Varies      Max: 2000  
 Unit: V

**Details:**

Defines nominal motor voltage (V) from rating plate. The following diagram shows a typical rating plate with the locations of relevant motor data.

**Dependency:**

Changeable only when P0010=1 (quick commissioning).



**P0305**      **Rated motor current**      **Level 1**  
 Min: 0.01      Def: Varies      Max: 10000.00  
 Unit: A

**Details:**

Defines nominal motor current (A) from rating plate; see diagram in P0304.

**Dependency:**

Changeable only when P0010=1 (quick commissioning).

**Note:**

For asynchronous motors, the maximum value is the maximum SED2 current (r0209).

For synchronous motors, the maximum value is twice the maximum SED2 current (r0209).

The minimum value is 1/32 times SED2 rated current (r0207).

---

<b>P0307</b>	<b>Rated motor power</b>	<b>Level 1</b>
	Min: 0.01    Def: Varies    Max: 2000.00	
	Unit: -	

---

**Details:**

Defines nominal motor power (kW/hp) from rating plate; see diagram in *P0304*.

**Dependency:**

If P0100=1 (hp, frequency 60 Hz), values will be in hp, see diagram *P0304* (rating plate).

Changeable only when P0010=1 (quick commissioning).

---

<b>P0308</b>	<b>Rated motor cosPhi</b>	<b>Level 3</b>
	Min: 0.000    Def: 0.000    Max: 1.000	
	Unit: -	

---

**Details:**

Defines nominal motor power factor (cosPhi) from rating plate.

**Dependency:**

Changeable only when P0010=1 (quick commissioning).

Visible only when P0100=0 or 2 (motor power entered in kW).

Setting 0 causes internal calculation of value.

---

<b>P0309</b>	<b>Rated motor efficiency</b>	<b>Level 3</b>
	Min: 0.0    Def: Varies    Max: 99.9	
	Unit: %	

---

**Details:**

Defines nominal motor efficiency in % from rating plate; see diagram in *P0304*.

**Dependency:**

Changeable only when P0003=3 (expert user access level) and P0010=1 (quick commissioning).

Visible only when P0100=1 (motor power entered in hp).

Setting 0 causes internal calculation of value.

**Note:**

P0309=100% corresponds to superconducting.

---

<b>P0310</b>	<b>Rated motor frequency</b>	<b>Level 1</b>
	Min: 12.00    Def: 50.00    Max: 650.00	
	Unit: Hz    or 60.00	

---

**Details:**

Defines nominal motor frequency (Hz) from rating plate; see diagram in *P0304*.

**Dependency:**

Changeable only when P0010=1 (quick commissioning).

Pole pair number is recalculated automatically if parameter is changed.

<b>P0311</b>	<b>Rated motor speed</b>	<b>Level 1</b>
	Min: 0      Def: Varies      Max: 40000	
	Unit: 1/min	

**Details:**

Defines nominal motor speed (rpm) from rating plate; see diagram in P0304.

**Dependency:**

Changeable only when P0010=1 (quick commissioning).

Setting 0 causes an internal calculation of the value.

Required for vector control and V/f control with speed controller.

Slip compensation in V/f control requires rated motor speed for correct operation.

Pole pair number is recalculated automatically if parameter is changed.

<b>r0313</b>	<b>Motor pole pairs</b>	<b>Level 3</b>
	Min: -      Def: -      Max: -	
	Unit: -	

**Details:**

Displays number of motor pole pairs that the SED2 is currently using for internal calculations.

**Value:**

r0313=1 : 2-pole motor  
r0313=2 : 4-pole motor

**Dependency:**

Pole pair number is recalculated automatically if P0310 rated motor frequency or P0311 rated motor speed is changed.

<b>P0340</b>	<b>Calculation of motor parameters</b>	<b>Level 3</b>
	Min: 0      Def: 0      Max: 4	
	Unit: -	

**Details:**

Calculates various motor parameters, including:

P0350 stator resistance  
P2000 reference frequency  
P2002 reference current

**Enum:**

- 0 No calculation
- 1 Complete programming
- 2 Calculate equivalent circuit data
- 3 Calculate V/f and vector control
- 4 Calculate only controller setting

**Note:**

This parameter is required during commissioning to optimize SED2 performance.

<b>P0350</b>	<b>Stator resistance (line-to-line)</b>	<b>Level 3</b>
	Min: 0.00001 Def: Varies Max: 2000.0	
	Unit: Ohm	

**Details:**

Stator resistance value (ohms) for connected motor (from line-to-line). The value includes the cable resistance.

There are three ways to determine the value for this parameter:

- Calculate using P0340=1 (data entered from rating plate) or P3900=1, 2, or 3 (end of quick commissioning).
- Measure using P1910=1 (motor data identification; value for stator resistance is overwritten).
- Measure manually using an ohmmeter.

**Note:**

Since measured line-to-line, this value may appear to be up to two times higher than expected.

The value entered in P0350 stator resistance is the value obtained by the most-recently used method.

<b>r0395</b>	<b>CO: Total stator resistance, %</b>	<b>Level 3</b>
	Min: - Def: - Max: -	
	Unit: %	

**Details:**

Displays stator resistance of motor as a % of combined stator/cable resistance.

<b>P0400</b>	<b>Select encoder type</b>	<b>Level 3</b>
	Min: 0 Def: 0 Max: 12	
	Unit: -	

**Details:**

Selects encoder type.

The term "quadrature" in settings 2 and 12 refers to two periodic functions separated by a quarter cycle or 90 degrees.

**Enum:**

- 0 Disabled
- 1 Single channel encoder
- 2 Quadrature encoder without zero pulse
- 3 External pulse train
- 12 Quadrature encoder with zero pulse

<b>P0409</b>	<b>Pulses per second at rated frequency</b>	<b>Level 3</b>
	Min: 1 Def: 25 Max: 500	
	Unit: -	

**Details:**

Sets number of pulses per second at rated speed.

<b>P0501[2]</b>	<b>Type of Sensor</b>			<b>Level 2</b>
	Min: 0	Def: 0	Max: 29	
	Unit: -			

**Details:**

Configures each analog input for a type of process variable sensor. Setting P0501 also sets P0756, type of analog input.

Switching between voltage and current input types also requires that I/O module DIP switches are set accordingly.

**Enum:**

- |    |                            |    |                                    |
|----|----------------------------|----|------------------------------------|
| 0  | No sensor selected         | 16 | Sensor type 0 to 2 inch-wc         |
| 1  | Sensor type QBE620 P1      | 17 | Sensor type 0 to 2.5 inch-wc       |
| 2  | Sensor type QBE620 P10     | 18 | Sensor type 0 to 3 inch-wc         |
| 3  | Sensor type QBE620 P16     | 19 | Sensor type 0 to 5 inch-wc         |
| 4  | Sensor type QBE620 P25     | 20 | Sensor type 0 to 10 inch-wc        |
| 5  | Sensor type QBE620 P40     | 21 | Sensor type 0 to 10 psi            |
| 6  | Sensor type QBE620 P4      | 22 | Sensor type 0 to 15 psi            |
| 7  | Sensor type QBE620 P5      | 23 | Sensor type 0 to 25 psi            |
| 8  | Sensor type QBE621 P10U    | 24 | Sensor type 0 to 30 psi            |
| 9  | Sensor type QBE621 P25U    | 25 | Sensor type 0 to 50 psi            |
| 10 | Sensor type QBE63 DP01     | 26 | Sensor type 0 to 60 psi            |
| 11 | Sensor type QBE63 DP02     | 27 | Sensor type 0 to 100 psi           |
| 12 | Sensor type QBE63 DP05     | 28 | Sensor type 0 to 150 psi           |
| 13 | Sensor type QBE63 DP1      | 29 | Sensor type Ni 1000: -50 to 150 °C |
| 14 | Sensor type QBE64 DP4      |    |                                    |
| 15 | Sensor type 0 to 1 inch-wc |    |                                    |

**Reference:**

See P0753, and P0756 to P0762 (analog input conditioning).

<b>P0506[10]</b>	<b>Parameter List</b>			<b>Level 3</b>
	Min: 0	Def: -	Max: 4000	
	Unit: -			

**Details:**

This parameter performs no function within the SED2. It is a storage place for use with the AOP for a list of parameters to scale.

**Index:**

- P0506[0]: Parameter 1
- P0506[1]: Parameter 2
- P0506[2]: Parameter 3
- P0506[3]: Parameter 4
- P0506[4]: Parameter 5
- P0506[5]: Parameter 6
- P0506[6]: Parameter 7
- P0506[7]: Parameter 8
- P0506[8]: Parameter 9
- P0506[9]: Parameter 10



---



---

<b>P0507[3]</b>	<b>Scalar Values</b>	<b>Level 3</b>
	<b>Min:</b> 0 <b>Def:</b> 1.0 <b>Max:</b> 9999.9	
	<b>Unit:</b> -	

---

**Details:**

This parameter performs no function within the SED2. It is a storage place for use with the AOP to scale particular parameters.

**Index:**

P0507[0]: Scalar Numerator  
P0507[1]: Scalar Denominator  
P0507[2]: Scalar Offset

---

<b>P0508[4]</b>	<b>Unit</b>	<b>Level 3</b>
	<b>Min:</b> 0 <b>Def:</b> 0 <b>Max:</b> 65535	
	<b>Unit:</b> -	

---

**Details:**

This parameter performs no function within the SED2. It is a storage place for use with the AOP to store a string for unit.

**Index:**

P0508[0]: Unit Character 1  
P0508[1]: Unit Character 2  
P0508[2]: Unit Character 3  
P0508[3]: Unit Character 4

---

<b>P0509[12]</b>	<b>String</b>	<b>Level 3</b>
	<b>Min:</b> 0 <b>Def:</b> 0 <b>Max:</b> 65535	
	<b>Unit:</b> -	

---

**Details:**

This parameter performs no function within the SED2. It is a storage place for use with the AOP to store a string for parameter unit description.

**Index:**

P0509[0]: String Character 1  
P0509[1]: String Character 2  
P0509[2]: String Character 3  
P0509[3]: String Character 4  
P0509[4]: String Character 5  
P0509[5]: String Character 6  
P0509[6]: String Character 7  
P0509[7]: String Character 8  
P0509[8]: String Character 9  
P0509[9]: String Character 10  
P0509[10]: String Character 11  
P0509[11]: String Character 12

---



---

<b>P0601</b>	<b>Motor temperature sensor</b>	<b>Level 3</b>
	<b>Min: 0      Def: 0      Max: 2</b>	
	<b>Unit: -</b>	

---

**Details:**

Selects motor temperature sensor.

**Enum:**

- 0 No sensor
- 1 PTC thermistor
- 2 KTY84

**Dependency:**

If P0601=0 (no sensor) is selected, motor temperature is based on the estimated value of the thermal motor model.

---



---

<b>P0610</b>	<b>Motor I<sup>2</sup>t temperature reaction</b>	<b>Level 3</b>
	<b>Min: 0      Def: 2      Max: 2</b>	
	<b>Unit: -</b>	

---

**Details:**

Defines reaction when the motor temperature reaches a warning threshold.

**Enum:**

- 0 No reaction, warning only
- 1 Warning and I<sub>max</sub> reduction (results in reduced output frequency)
- 2 Warning and trip (F0010)

**Dependency:**

Trip level=Motor temperature warning level \* 105%.

---



---

<b>P0640</b>	<b>Motor overload factor, %</b>	<b>Level 3</b>
	<b>Min: 10.0      Def: 110.0      Max: 400.0</b>	
	<b>Unit: %</b>	

---

**Details:**

Defines motor overload current limit in % relative to P0305 rated motor current.

**Dependency:**

Limited to maximum SED2 current or to 400% of P0305 rated motor current, whichever is lower.

<b>P0700[2]</b>	<b>Selection of command source</b>	<b>Level 1</b>
Min: 0	Def: [0] 2	Max: 6
Unit: -	[1] 1	

**Details:**

Selects digital command source.

**Enum:**

- 0 Factory default setting
- 1 BOP (keypad)
- 2 Terminal digital input
- 4 USS on BOP link
- 5 USS on COM link
- 6 CB (Communications Board/Module) on COM link

**Index:**

P0700[0]: 1st Command data set (CDS)  
P0700[1]: 2nd Command data set (CDS)

**Note:**

Changing this parameter resets (to default) all settings on the selected item. For example, changing from 1 to 2 resets all digital inputs to default settings.

<b>P0701[2]</b>	<b>Function of digital input 1</b>	<b>Level 2</b>
Min: 0	Def: [0] 1	Max: 99
Unit: -	[1] 0	

**Details:**

Selects function of digital input 1.

**Enum:**

- |                                 |                             |
|---------------------------------|-----------------------------|
| 0 Digital input disabled        | 16 Fixed setpoint           |
| 1 ON/OFF1                       | (Direct selection + ON)     |
| 2 ON reverse /OFF1              | 17 Fixed setpoint (Binary   |
| 3 OFF2, coast to standstill     | coded selection + ON)       |
| 4 OFF3, quick ramp-down         | 25 DC brake enable          |
| 9 Fault acknowledge             | 26 Enable Essential Service |
| 10 JOG right                    | 27 Enable PID               |
| 11 JOG left                     | 28 Bypass mode command      |
| 12 Reverse                      | input                       |
| 13 MOP up (motor potentiometer) | 29 External trip            |
| (increase frequency)            | 33 Disable additional freq  |
| 14 MOP down                     | setpoint                    |
| (motor potentiometer)           | 99 Enable BiCo programming  |
| (decrease frequency)            |                             |
| 15 Fixed setpoint               |                             |
| (Direct selection)              |                             |

**Index:**

P0701[0]: 1st Command data set (CDS)  
P0701[1]: 2nd Command data set (CDS)

**Dependency:**

Setting 99 (enable BiCo programming) requires P0700 command source or P3900 (end of quick commissioning=1, 2 or P0970 factory reset=1, in order to reset.

**Note:**

Setting 99 (BiCo) is for expert use only.

<b>P0702[2]</b>	<b>Function of digital input 2</b>	<b>Level 2</b>
Min: 0	Def: [0] 12	Max: 99
Unit: -	[1] 0	

**Details:**

Selects function of digital input 2.

**Enum:**

- 0 Digital input disabled
- 1 ON/OFF1
- 2 ON reverse /OFF1
- 3 OFF2, coast to standstill
- 4 OFF3, quick ramp-down
- 9 Fault acknowledge
- 10 JOG right
- 11 JOG left
- 12 Reverse
- 13 MOP (motor potentiometer) up (increase frequency)
- 14 MOP (motor potentiometer) down (decrease frequency)
- 15 Fixed setpoint (Direct selection)
- 16 Fixed setpoint (Direct selection + ON)
- 17 Fixed setpoint (Binary coded selection + ON)
- 25 DC brake enable
- 26 Enable Essential Service
- 27 Enable PID
- 28 Bypass mode command input
- 29 External trip
- 33 Disable additional freq setpoint
- 99 Enable BiCo programming

**Index:**

P0702[0]: 1st Command data set (CDS)  
P0702[1]: 2nd Command data set (CDS)

**Reference:**

See *P0701* (function of digital input1).

---



---

<b>P0703[2]</b>	<b>Function of digital input 3</b>	<b>Level 2</b>
	Min: 0      Def: 9      Max: 99	
	Unit: -	

---

**Details:**

Selects function of digital input 3.

**Enum:**

- 0 Digital input disabled
- 1 ON/OFF1
- 2 ON reverse /OFF1
- 3 OFF2, coast to standstill
- 4 OFF3, quick ramp-down
- 9 Fault acknowledge
- 10 JOG right
- 11 JOG left
- 12 Reverse
- 13 MOP (motor potentiometer) up (increase frequency)
- 14 MOP (motor potentiometer) down (decrease frequency)
- 15 Fixed setpoint (Direct selection)
- 16 Fixed setpoint (Direct selection + ON)
- 17 Fixed setpoint (Binary coded selection + ON)
- 25 DC brake enable
- 26 Enable Essential Service
- 27 Enable PID
- 28 Bypass mode command input
- 29 External trip
- 33 Disable additional freq setpoint
- 99 Enable BiCo programming

**Index:**

- P0703[0]: 1st Command data set (CDS)
- P0703[1]: 2nd Command data set (CDS)

**Reference:**

See *P0701* (function of digital input 1).

---

---

<b>P0704[2]</b>	<b>Function of digital input 4</b>	<b>Level 2</b>
Min: 0	Def: 15	Max: 99
Unit: -		

---

**Details:**

Selects function of digital input 4.

**Enum:**

- 0 Digital input disabled
- 1 ON/OFF1
- 2 ON reverse /OFF1
- 3 OFF2, coast to standstill
- 4 OFF3, quick ramp-down
- 9 Fault acknowledge
- 10 JOG right
- 11 JOG left
- 12 Reverse
- 13 MOP (motor potentiometer) up (increase frequency)
- 14 MOP (motor potentiometer) down (decrease frequency)
- 15 Fixed setpoint (Direct selection)
- 16 Fixed setpoint (Direct selection + ON)
- 17 Fixed setpoint (Binary coded selection + ON)
- 25 DC brake enable
- 26 Enable Essential Service
- 27 Enable PID
- 28 Bypass mode command input
- 29 External trip
- 33 Disable additional freq setpoint
- 99 Enable BiCo programming

**Index:**

- P0704[0]: 1st Command data set (CDS)
- P0704[1]: 2nd Command data set (CDS)

**Reference:**

See *P0701* (function of digital input 1).

---



---

<b>P0705[2]</b>	<b>Function of digital input 5</b>	<b>Level 2</b>
	Min: 0      Def: 15      Max: 99	
	Unit: -	

---

**Details:**

Selects function of digital input 5 (via analog input).

**Enum:**

- 0 Digital input disabled
- 1 ON/OFF1
- 2 ON reverse /OFF1
- 3 OFF2, coast to standstill
- 4 OFF3, quick ramp-down
- 9 Fault acknowledge
- 10 JOG right
- 11 JOG left
- 12 Reverse
- 13 MOP (motor potentiometer) up (increase frequency)
- 14 MOP (motor potentiometer) down (decrease frequency)
- 15 Fixed setpoint (Direct selection)
- 16 Fixed setpoint (Direct selection + ON)
- 17 Fixed setpoint (Binary coded selection + ON)
- 25 DC brake enable
- 26 Enable Essential Service
- 27 Enable PID
- 28 Bypass mode command input
- 29 External trip
- 33 Disable additional freq setpoint
- 99 Enable BiCo programming

**Index:**

P0705[0]: 1st Command data set (CDS)  
P0705[1]: 2nd Command data set (CDS)

**Note:**

Selection 17 (Binary coded selection + ON) is identical to selection 15.

**Reference:**

See *P0701* (function of digital input 1).

---



---

<b>P0706[2]</b>	<b>Function of digital input 6</b>	<b>Level 2</b>
	Min: 0      Def: 15      Max: 99	
	Unit: -	

---

**Details:**

Selects function of digital input 6 ( via analog input).

**Enum:**

- 0 Digital input disabled
- 1 ON/OFF1
- 2 ON reverse /OFF1
- 3 OFF2, coast to standstill
- 4 OFF3, quick ramp-down
- 9 Fault acknowledge
- 10 JOG right
- 11 JOG left
- 12 Reverse
- 13 MOP (motor potentiometer) up (increase frequency)
- 14 MOP (motor potentiometer) down (decrease frequency)
- 15 Fixed setpoint (Direct selection)
- 16 Fixed setpoint (Direct selection + ON)
- 17 Fixed setpoint (Binary coded selection + ON)
- 25 DC brake enable
- 26 Enable Essential Service
- 27 Enable PID
- 28 Bypass mode command input
- 29 External trip
- 33 Disable additional freq setpoint
- 99 Enable BiCo programming

**Index:**

- P0706[0]: 1st Command data set (CDS)
- P0706[1]: 2nd Command data set (CDS)

**Note:**

Selection 17 (Binary coded selection + ON) is identical to selection 15.

**Reference:**

See *P0701* (function of digital input 1).



---



---

<b>P0707[2]</b>	<b>Function of digital input 7</b>	<b>Level 3</b>
	Min: 0      Def: 0      Max: 99	
	Unit: -	

---

**Details:**

Selects function of digital input 7 (via analog input).

**Enum:**

- 0 Digital input disabled
- 1 ON/OFF1
- 2 ON reverse /OFF1
- 3 OFF2, coast to standstill
- 4 OFF3, quick ramp-down
- 9 Fault acknowledge
- 10 JOG right
- 11 JOG left
- 12 Reverse
- 13 MOP (motor potentiometer) up (increase frequency)
- 14 MOP (motor potentiometer) down (decrease frequency)
- 25 DC brake enable
- 26 Enable Essential Service
- 28 Bypass mode command input
- 29 External trip
- 33 Disable additional freq setpoint
- 99 Enable BiCo programming

**Index:**

P0707[0]: 1st Command data set (CDS)  
P0707[1]: 2nd Command data set (CDS)

**Note:**

Signals above 4V are active; signals below 1.6V are inactive.

**Reference:**

See *P0701* (function of digital input 1).

<b>P0708[2]</b>	<b>Function of digital input 8</b>	<b>Level 3</b>
Min: 0	Def: 0	Max: 99
Unit: -		

**Details:**

Selects function of digital input 8 (via analog input).

**Enum:**

- 0 Digital input disabled
- 1 ON/OFF1
- 2 ON reverse /OFF1
- 3 OFF2, coast to standstill
- 4 OFF3, quick ramp-down
- 9 Fault acknowledge
- 10 JOG right
- 11 JOG left
- 12 Reverse
- 13 MOP (motor potentiometer) up (increase frequency)
- 14 MOP (motor potentiometer) down (decrease frequency)
- 25 DC brake enable
- 26 Enable Essential Service
- 28 Bypass mode command input
- 29 External trip
- 33 Disable additional freq setpoint
- 99 Enable BiCo programming

**Index:**

P0708[0]: 1st Command data set (CDS)  
P0708[1]: 2nd Command data set (CDS)

**Note:**

Signals above 4V are active; signals below 1.6V are inactive.

**Reference:**

See *P0701* (function of digital input 1).

<b>P0718</b>	<b>CO/BO: Hand/Auto</b>	<b>Level 3</b>
Min: 0	Def: 0	Max: 1
Unit: -		

**Details:**

Defines whether SED2 starts in Hand or Auto mode.

**Enum:**

- 0 Auto
- 1 Hand

---



---

<b>r0722</b>	<b>CO/BO: Binary input values</b>	<b>Level 3</b>
	Min: -      Def: -      Max: -	
	Unit: -	

---

**Details:**

Displays status of digital inputs.

**Bitfields:**

Bit00	Digital input 1	0 OFF	1 ON
Bit01	Digital input 2	0 OFF	1 ON
Bit02	Digital input 3	0 OFF	1 ON
Bit03	Digital input 4	0 OFF	1 ON
Bit04	Digital input 5	0 OFF	1 ON
Bit05	Digital input 6	0 OFF	1 ON
Bit06	Digital input 7 (via AI1)	0 OFF	1 ON
Bit07	Digital input 8 (via AI2)	0 OFF	1 ON

**Note:**

Segment is lit when signal is active.

---

<b>P0725</b>	<b>PNP/NPN digital inputs</b>	<b>Level 3</b>
	Min: 0      Def: 1      Max: 1	
	Unit: -	

---

**Details:**

Switches between active high (PNP) and active low (NPN). This is valid for all digital inputs simultaneously.

The following is valid by using the internal supply:

If defined as BCB:

- NPN: Terminals 5, 6, and 7 must be connected via terminal 9 (0V).
- PNP: Terminals 5, 6, and 7 must be connected via terminal 8 (24V).

If defined as VCB:

- NPN: Terminals 5, 6, 7, 8, 16, and 17 must be connected via terminal 28 (0V).
- PNP: Terminals 5, 6, 7, 8, 16, and 17 must be connected via terminal 9 (24V).

**Enum:**

- 0 NPN mode ==> low active
- 1 PNP mode ==> high active

---



---

**P0731[2] BI: Function of digital output 1** **Level 2**  
 Min: 0:0    Def: 52:3    Max: 4000:0  
 Unit: -

---

**Details:**

Defines source of digital output 1.

**Index:**

P0731[0]: 1st Command data set (CDS)  
 P0731[1]: 2nd Command data set (CDS)

**Settings:**

52.0	SED2 ready	0 Closed
52.1	SED2 ready to run	0 Closed
52.2	SED2 running	0 Closed
52.3	SED2 fault active	0 Closed
52.4	OFF2 active	1 Closed
52.5	OFF3 active	1 Closed
52.6	Switch on inhibit active	0 Closed
52.7	SED2 warning active	0 Closed
52.8	Deviation setpoint/actual value	1 Closed
52.9	PZD control (Process Data Control)	0 Closed
52.A	Maximum frequency reached	0 Closed
52.B	Warning: Motor current limit	1 Closed
52.C	Motor holding brake (MHB) active	0 Closed
52.D	Motor overload	1 Closed
52.E	Motor running direction right	0 Closed
52.F	SED2 overload	1 Closed
53.0	DC brake active	0 Closed
53.1	SED2 frequency less switch off limit	0 Closed
53.2	SED2 frequency less minimum frequency	0 Closed
53.3	Current greater or equal than limit	0 Closed
53.4	Actual frequency greater comparison freq.	0 Closed
53.5	Actual frequency less comparison freq.	0 Closed
53.6	Actual frequency greater/equal setpoint	0 Closed
53.7	Voltage less than threshold	0 Closed
53.8	Voltage greater than threshold	0 Closed
53.A	PID output at lower limit (P2292)	0 Closed
53.B	PID output at upper limit (P2291)	0 Closed

---



---

**P0732[2] BI: Function of digital output 2** **Level 2**  
 Min: 0:0 Def: 52:2 Max: 4000:0  
 Unit: -

---

**Details:**

Defines source of digital output 2.

**Index:**

P0732[0]: 1st Command data set (CDS)  
 P0732[1]: 2nd Command data set (CDS)

**Settings:**

52.0	SED2 ready	0 Closed
52.1	SED2 ready to run	0 Closed
52.2	SED2 running	0 Closed
52.3	SED2 fault active	0 Closed
52.4	OFF2 active	1 Closed
52.5	OFF3 active	1 Closed
52.6	Switch on inhibit active	0 Closed
52.7	SED2 warning active	0 Closed
52.8	Deviation setpoint/actual value	1 Closed
52.9	PZD control (Process Data Control)	0 Closed
52.A	Maximum frequency reached	0 Closed
52.B	Warning: Motor current limit	1 Closed
52.C	Motor holding brake (MHB) active	0 Closed
52.D	Motor overload	1 Closed
52.E	Motor running direction right	0 Closed
52.F	SED2 overload	1 Closed
53.0	DC brake active	0 Closed
53.1	SED2 frequency less switch off limit	0 Closed
53.2	SED2 frequency less minimum frequency	0 Closed
53.3	Current greater or equal than limit	0 Closed
53.4	Actual frequency greater comparison freq.	0 Closed
53.5	Actual frequency less comparison freq.	0 Closed
53.6	Actual frequency greater/equal setpoint	0 Closed
53.7	Voltage less than threshold	0 Closed
53.8	Voltage greater than threshold	0 Closed
53.A	PID output at lower limit (P2292)	0 Closed
53.B	PID output at upper limit (P2291)	0 Closed

**Note:**

Other settings are possible when P0003=3, expert user access level.

**r0747 CO/BO: State of digital outputs Level 3**  
**Min:** -      **Def:** -      **Max:** -  
**Unit:** -

**Details:**

Displays status of digital outputs (also includes inversion of digital outputs via P0748).

**Bitfields:**

Bit00	Digital output 1 energized	0 NO	1 YES
Bit01	Digital output 2 energized	0 NO	1 YES
Bit02	Digital output 3 energized	0 NO	1 YES

**Dependency:**

Bit 0: 0=relay de-energized/contacts open.  
 1=relay energized/contacts closed.

**P0748 Invert digital outputs Level 3**  
**Min:** 0      **Def:** 0      **Max:** 7  
**Unit:** -

**Details:**

Defines high and low states of a relay for a given function.

**Bitfields:**

Bit00	Invert digital output 1	0 NO	1 YES
Bit01	Invert digital output 2	0 NO	1 YES
Bit02	Invert digital output 3	0 NO	1 YES

**r0752[2] Actual analog input, V or mA Level 2**  
**Min:** -      **Def:** -      **Max:** -  
**Unit:** -

**Details:**

Displays smoothed analog input value in volts before the characteristic block.

**Index:**

r0752[0]: Analog input 1 (AI1)  
 r0752[1]: Analog input 2 (AI2)

**P0753[2] Smooth time analog input Level 3**  
**Min:** 0      **Def:** 100      **Max:** 10000  
**Unit:** ms

**Details:**

Defines filter time (PT1 filter) in ms for an analog input.

**Index:**

P0753[0]: Analog input 1 (AI1)  
 P0753[1]: Analog input 2 (AI2)

**Note:**

Increasing this time (smooth) reduces jitter but slows down response to the analog input.

P0753=0 : No filtering

---



---

<b>r0754[2]</b>	<b>Actual AI value after scaling, %</b>	<b>Level 2</b>
	Min: -      Def: -      Max: -	
	Unit: %	

---

**Details:**

Shows smoothed value of analog input in % after scaling block.

**Index:**

r0754[0]: Analog input 1 (AI1)

r0754[1]: Analog input 2 (AI2)

**Dependency:**

P0757 to P0760 define the range (analog input scaling).

---

<b>r0755[2]</b>	<b>CO: Actual AI after scaling (4000h)</b>	<b>Level 3</b>
	Min: -      Def: -      Max: -	
	Unit: -	

---

**Details:**

Displays analog input, scaled using ASPmin and ASPmax.

Analog setpoint (ASP) from the analog scaling block can vary from a minimum analog setpoint (ASPmin) to a maximum analog setpoint (ASPmax) as shown in P0757 (analog input scaling).

The largest magnitude (value without sign) of ASPmin and ASPmax defines the scaling of 16384.

**Index:**

r0755[0]: Analog input 1 (AI1)

r0755[1]: Analog input 2 (AI2)

**Example:**

ASPmin=300%, ASPmax=100% then 16384 represents 300%.  
This parameter will vary from 5461 to 16364.

ASPmin=-200%, ASPmax=100% then 16384 represents -200%.  
This parameter will vary from -16384 to +8192.

**Note:**

This value is used as an input to analog BiCo connectors.

ASPmax represents the highest analog setpoint (this may be at 10V).

ASPmin represents the lowest analog setpoint (this may be at 0V).

**Reference:**

See P0757 to P0760 (analog input scaling).

---



---

<b>P0756[2]</b>	<b>Type of analog input</b>	<b>Level 2</b>
	Min: 0      Def: 0      Max: 5	
	Unit: -	

---

**Details:**

Defines type of analog input and also enables analog input monitoring.

To change from a voltage to a current analog input, modify parameter P0756 as well as set I/O module DIP switches to the appropriate position. The DIP switch settings are as follows:

- OFF=voltage input (10V)
- ON=current input (20 mA)

Allocation of DIP switches to analog inputs is as follows:

- DIP switch on left (DIP1)=Analog input 1
- DIP switch on right (DIP2)=Analog input 2

**Enum:**

- 0 Unipolar voltage input (0V to +10V)
- 1 Unipolar voltage input with monitoring (0 to 10V)
- 2 Unipolar current input (0 mA to 20 mA)
- 3 Unipolar current input with monitoring (0 to 20 mA)
- 5 L+S NI1000 sensor input

**Index:**

P0756[0]: Analog input 1 (AI1)  
P0756[1]: Analog input 2 (AI2)

**Dependency:**

This function is disabled if the analog scaling block is programmed to output negative setpoints (see P0757 to P0760 for analog input scaling).

**Note:**

When monitoring is enabled and a deadband is defined (P0761), a fault condition will be generated (F0080) if the analog input voltage falls below 50% of the deadband voltage.

When using a value of 5, any PID setpoint needs to be in degrees C.

**Reference:**

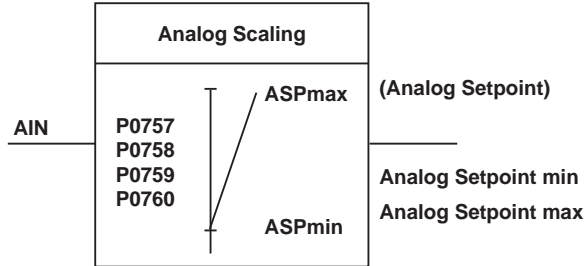
See P0757 to P0760 (analog input scaling).



<b>P0757[2]</b>	<b>Value x1 of AI scaling, V/mA</b>	<b>Level 2</b>
	Min: -50.0 Def: - Max: 150.0	
	Unit: -	

**Details:**

Parameters P0757 to P0760 configure analog input scaling as follows:



*Where:*

- Analog setpoints represent a % of the normalized frequency in P2000.
- Analog setpoints may be larger than 100%
- ASPmax represents the highest analog setpoint (this may be 10V or 20 mA).
- ASPmin represents the lowest analog setpoint (this may be 0V or 0 mA).
- Default values provide a scaling of 0V or 0 mA=0%, and 10V or 20 mA=100%.

**Index:**

P0757[0]: Analog input 1 (AI1)  
P0757[1]: Analog input 2 (AI2)

<b>P0758[2]</b>	<b>Value y1 of AI scaling</b>	<b>Level 2</b>
	Min: -99999.9 Def: 0.0 Max: 99999.9	
	Unit: %	

**Details:**

Sets value of Y1 in % as described in P0757 (analog input scaling)

**Index:**

P0758[0]: Analog input 1 (AI1)  
P0758[1]: Analog input 2 (AI2)

**Dependency:**

Affects P2000 to P2002 (reference frequency, voltage, current or torque) depending on which setpoint is to be generated.

**P0759[2] Value x2 of AI scaling, V/mA Level 2**  
 Min: -50.0 Def: 10 Max: 150.0  
 Unit: -

**Details:** Sets value of X2 as described in P0757 (analog input scaling).  
**Index:**

P0759[0]: Analog input 1 (AI1)  
 P0759[1]: Analog input 2 (AI2)

**P0760[2] Value y2 of AI scaling Level 2**  
 Min: -99999.9 Def: 100.0 Max: 99999.9  
 Unit: %

**Details:** Sets value of Y2 in % as described in P0757 (analog input scaling).  
**Index:**

P0760[0]: Analog input 1 (AI1)  
 P0760[1]: Analog input 2 (AI2)

**Dependency:**  
 Affects P2000 to P2002 (reference frequency, voltage, current or torque) depending on which setpoint is to be generated.

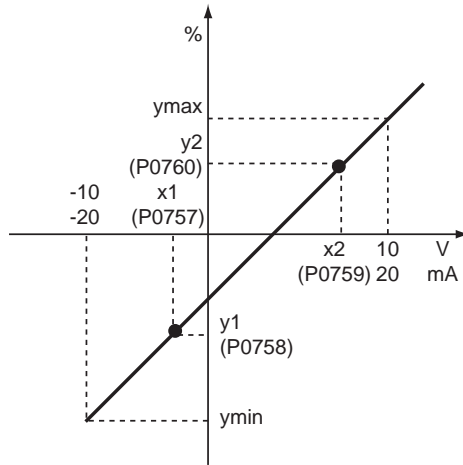
**P0761[2] Width of AI deadband, V/mA Level 3**  
 Min: 0 Def: 0 Max: 150.0  
 Unit: -

**Details:** Defines width of analog input deadband. The examples explain the use of P0761.  
**Index:**

P0761[0]: Analog input 1 (AI1)  
 P0761[1]: Analog input 2 (AI2)

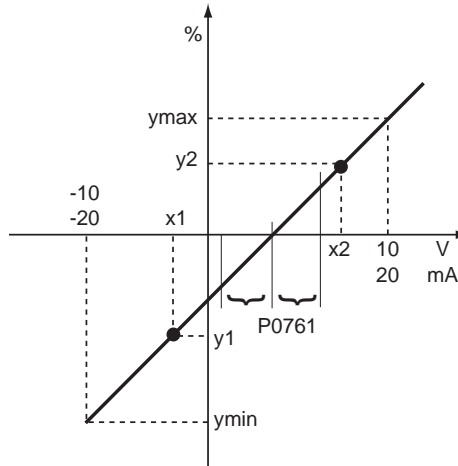
**Example:** Example of analog input value 2V to 10V (0 Hz to 50 Hz):

P0756=0 or 1  
 P0757=2V  
 P0758=0%  
 P0759=8V  
 P0760=75%  
 P0761=2V  
 P2000=50 Hz



Example of analog input value 0V to 10V (-50 Hz to +50 Hz) with center zero and a "holding point" 0.2V wide (0.1V to each side of center):

P0756=0 or 1  
 P0757=2V  
 P0758=-75%  
 P0759=8V  
 P0760=75%  
 P0761=0.1V  
 P2000=50 Hz



**Note:**

P0761[x]=0 : No deadband active.

If both values of P0758 and P0760 (y coordinates of analog input scaling) are positive or negative respectively, the deadband starts from 0V to the value of P0761. However, the deadband is active in both directions from the point of intersection (x axis with analog input scaling curve), if the sign of P0758 and P0760 are opposite.

Fmin (P1080) should be zero when using center zero setup. There is no hysteresis at the end of the deadband.

<b>P0771[2]</b>	<b>Ci: Analog output</b>	<b>Level 2</b>
Min: 0:0	Def: 21:0	Max: 4000:0
Unit: -		

**Details:**

Defines function of 0 mA to 20 mA analog output.

**Index:**

P0771[0]: Analog output 1 (AO1)  
 P0771[1]: Analog output 2 (AO2)

**Settings:**

- 21 CO: Actual frequency (scaled to P2000)
- 24 CO: Actual output frequency (scaled to P2000)
- 25 CO: Actual output voltage (scaled to P2001)
- 26 CO: Actual DC-link voltage (scaled to P2001)
- 27 CO: Actual output current (scaled to P2002)

<b>P0773[2]</b>	<b>Smooth time analog output</b>	<b>Level 3</b>
	Min: 0      Def: 100      Max: 1000	
	Unit: ms	

**Details:**

Defines smoothing time (ms) for analog output signal. This parameter enables smoothing for the input of the analog output using a PT1 filter.

**Index:**

P0773[0]: Analog output 1 (AO1)  
P0773[1]: Analog output 2 (AO2)

**Dependency:**

P0773=0: Deactivates filter.

<b>r0774[2]</b>	<b>Actual Analog output value, V or mA</b>	<b>Level 3</b>
	Min: -      Def: -      Max: -	
	Unit: -	

**Details:**

Shows value of analog output in V or mA after filtering and scaling.

**Index:**

r0774[0]: Analog output 1 (AO1)  
r0774[1]: Analog output 2 (AO2)

<b>P0776</b>	<b>Type of Analog Output</b>	<b>Level 3</b>
	Min: 0      Def: 1      Max: 1	
	Unit: -	

**Details:**

Defines type of analog output.

**Enum:**

0 Current output  
1 Voltage output

**Note:**

The analog output is designed as a current output with a range of 0 mA to 20 mA.

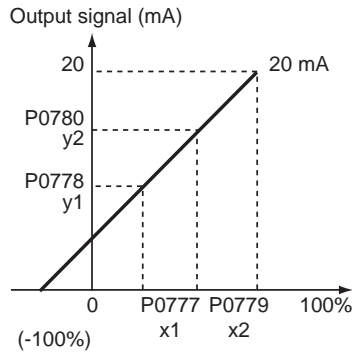
The two analog output channels must be defined as the same type. That is, both channels are current outputs with a range of 0 mA to 20 mA, or both channels are voltage outputs with a range of 0V to 10V.

<b>P0777[2]</b>	<b>Value x1 of analog output scaling</b>	<b>Level 2</b>
	Min: -99999.9 Def: 0.0 Max: 99999.0	
	Unit: %	

**Details:**

Defines x1 output characteristic in %. The scaling block is responsible for adjustment of the analog output value defined in P0771 (analog output).

Parameters of the analog output scaling block (P0777 to P0781) work as follows:



*Where:*

Points P1 (x1, y1) and P2 (x2, y2) can be chosen freely.

**Index:**

P0777[0]: Analog output 1 (AO1)  
 P0777[1]: Analog output 2 (AO2)

**Example:**

The default values of the scaling block provide a scaling of P1: 0.0%=0 mA or 0V and P2: 100.0%=20 mA or 20V.

**Dependency:**

Effects P2000 to P2002 (referency frequency, voltage, current or torque) depending on which setpoint is to be generated.

<b>P0778[2]</b>	<b>Value y1 of analog output scaling</b>	<b>Level 2</b>
	Min: 0 Def: 0 Max: 20	
	Unit: -	

**Details:**

Defines y1 of output characteristic.

**Index:**

P0778[0]: Analog output 1 (AO1)  
 P0778[1]: Analog output 2 (AO2)

---



---

<b>P0779[2]</b>	<b>Value x2 of analog output scaling</b>	<b>Level 2</b>
	Min: -99999.9 Def: 100.0 Max: 99999.0	
	Unit: %	

---

**Details:**

Defines x2 of output characteristic in %.

**Index:**

P0779[0]: Analog output 1 (AO1)

P0779[1]: Analog output 2 (AO2)

**Dependency:**

Effects P2000 to P2002 (referency frequency, voltage, current or torque) depending on which setpoint is to be generated.

---



---

<b>P0780[2]</b>	<b>Value y2 of analog output scaling</b>	<b>Level 2</b>
	Min: 0 Def: 10 Max: 20	
	Unit: -	

---

**Details:**

Defines y2 of output characteristic.

**Index:**

P0780[0]: Analog output 1 (AO1)

P0780[1]: Analog output 2 (AO2)

---



---

<b>P0781[2]</b>	<b>Width of analog output deadband</b>	<b>Level 3</b>
	Min: 0 Def: 0 Max: 20	
	Unit: -	

---

**Details:**

Sets width of deadband in mA or V for analog output.

**Index:**

P0781[0]: Analog output 1 (AO1)

P0781[1]: Analog output 2 (AO2)

---



---

<b>P0809[3]</b>	<b>Copy Command Data Set</b>	<b>Level 3</b>
	Min: 0 Def: 0 Max: 2	
	Unit: -	

---

**Details:**

Calls 'Copy command data set' function.

**Index:**

P0809[0]: Copy from command data set (CDS)

P0809[1]: Copy to command data set (CDS)

P0809[2]: Start copy

**Note:**

Start copy value in index 2 is automatically reset to 0 after execution of the function.

---



---

<b>P0810</b>	<b>BI: CDS bit 0 (Local/Remote)</b>	<b>Level 3</b>
	Min: 0:0      Def: 718:0      Max: 4095:0	
	Unit: -	

---

**Details:**

Selects command source from which to read Bit 0 for selecting a BiCo data set (see control word 1, Bit 15).

**Note:**

Bit 1 is also relevant for BiCo data set selection.

---

<b>P0918</b>	<b>CB address</b>	<b>Level 3</b>
	Min: 0      Def: 3      Max: 65535	
	Unit: -	

---

**Details:**

Defines address of CB (communication board/module) or address of the other option modules.

There are two ways to set the bus address:

- Via DIP switches on the PROFIBUS module
- Via a user-entered value

**Note:**

Possible PROFIBUS settings:

1 to 125  
0, 126, 127 are not allowed

The following applies when a PROFIBUS module is used:

DIP switch=0, Address defined in P0918 (CB address) is valid.  
DIP switch not=0, DIP switch setting has priority and P0918 indicates DIP switch setting.

---

<b>P0927</b>	<b>Parameter changeable via</b>	<b>Level 3</b>
	Min: 0      Def: -      Max: 15	
	Unit: -	

---

**Details:**

Specifies interfaces which can be used to change parameters.

**Bitfields:**

Bit00	PROFIBUS/CB	0 NO	1 YES
Bit01	BOP	0 NO	1 YES
Bit02	USS on BOP link	0 NO	1 YES
Bit03	USS on COM link	0 NO	1 YES

**Example:**

"b - - n n" (bits 0, 1, 2 and 3 set) in the default setting means that parameters can be changed via any interface.

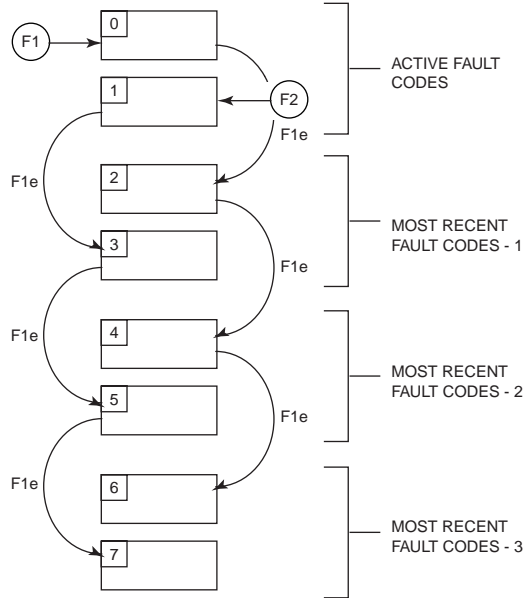
"b - - r n" (bits 0, 1 and 3 set) would specify that parameters can be changed via PROFIBUS/CB, BOP and USS on COM link (RS-485 USS) but not via USS on BOP link (RS-232).

**r0947[8] Last fault code Level 3**

Min: - Def: - Max: -  
Unit: -

**Details:**

Displays fault history as follows:



**Where:**

- F1= The first active fault (not yet acknowledged).
- F2= The second active fault (not yet acknowledged).
- F1e= The occurrence of the fault acknowledgement for F1 and F2.

This moves the value in the 2 indexes down to the next pair of indexes, where they are stored. Indexes 0 and 1 contain the active faults. When faults are acknowledged, indexes 0 and 1 are reset to 0.

**Index:**

- r0947[0]: Recent fault trip --, fault 1
- r0947[1]: Recent fault trip --, fault 2
- r0947[2]: Recent fault trip -1, fault 3
- r0947[3]: Recent fault trip -1, fault 4
- r0947[4]: Recent fault trip -2, fault 5
- r0947[5]: Recent fault trip -2, fault 6
- r0947[6]: Recent fault trip -3, fault 7
- r0947[7]: Recent fault trip -3, fault 8



**Example:**

If the SED2 trips on undervoltage and then receives an external trip before the undervoltage is acknowledged, you will obtain:

Index 0=3, Undervoltage  
 Index 1=85, External trip

Whenever a fault in index 0 is acknowledged (F1e), the fault history shifts as indicated in the preceding diagram.

**Dependency:**

Index 2 is used only if a second fault occurs before the first fault is acknowledged.

<b>r0948[12]</b>	<b>Fault time</b>			<b>Level 3</b>
	<b>Min:</b> -	<b>Def:</b> -	<b>Max:</b> -	
	<b>Unit:</b> -			

**Details:**

Time stamp to indicate when a fault has occurred. P2114 (run-time counter) or P2115 (real time clock) are possible sources of the time stamp.

**Index:**

- r0948[0]: Recent fault trip --, fault time seconds+minutes
- r0948[1]: Recent fault trip --, fault time hours+days
- r0948[2]: Recent fault trip --, fault time month+year
- r0948[3]: Recent fault trip -1, fault time seconds+minutes
- r0948[4]: Recent fault trip -1, fault time hours+days
- r0948[5]: Recent fault trip -1, fault time month+year
- r0948[6]: Recent fault trip -2, fault time seconds+minutes
- r0948[7]: Recent fault trip -2, fault time hours+days
- r0948[8]: Recent fault trip -2, fault time month+year
- r0948[9]: Recent fault trip -3, fault time seconds+minutes
- r0948[10]: Recent fault trip -3, fault time hours+days
- r0948[11]: Recent fault trip -3, fault time month+year

**Example:**

The time is taken from P2115 if this parameter has been updated with the real time. If not, P2114 is used.

**Note:**

P2115 can be updated via the AOP.

---



---

<b>r0949[8]</b>	<b>Fault value</b>			<b>Level 3</b>
	Min: -	Def: -	Max: -	
	Unit: -			

---

**Details:**

Displays SED2 fault values. This parameter is for service purposes and indicates the type of fault reported. The values are not documented. They are listed in the code where faults are reported.

**Index:**

- r0949[0]: Recent fault trip --, fault value 1
- r0949[1]: Recent fault trip --, fault value 2
- r0949[2]: Recent fault trip -1, fault value 3
- r0949[3]: Recent fault trip -1, fault value 4
- r0949[4]: Recent fault trip -2, fault value 5
- r0949[5]: Recent fault trip -2, fault value 6
- r0949[6]: Recent fault trip -3, fault value 7
- r0949[7]: Recent fault trip -3, fault value 8

---



---

<b>P0952</b>	<b>Total number of faults</b>			<b>Level 3</b>
	Min: 0	Def: 0	Max: 8	
	Unit: -			

---

**Details:**

Displays number of faults stored in P0947 (last fault code).

**Dependency:**

Setting 0 resets fault history (changing to 0 also resets parameter r0948, fault time).

---



---

<b>r0967</b>	<b>Control word 1</b>			<b>Level 3</b>
	Min: -	Def: -	Max: -	
	Unit: -			

---

**Details:**

Displays control word 1.

**Bitfields:**

Bit00	ON/OFF1	0 NO	1 YES
Bit01	OFF2: Electrical stop	0 YES	1 NO
Bit02	OFF3: Fast stop	0 YES	1 NO
Bit03	Pulse enable	0 NO	1 YES
Bit04	RFG (ramp function gen.) enable	0 NO	1 YES
Bit05	RFG (ramp function gen.) start	0 NO	1 YES
Bit06	Setpoint enable	0 NO	1 YES
Bit07	Fault acknowledge	0 NO	1 YES
Bit08	JOG right	0 NO	1 YES
Bit09	JOG left	0 NO	1 YES
Bit10	Control from PLC	0 NO	1 YES
Bit11	Reverse (setpoint inversion)	0 NO	1 YES
Bit13	Motor potentiometer MOP up	0 NO	1 YES
Bit14	Motor potentiometer MOP down	0 NO	1 YES
Bit15	CDS Bit 0 (Local/Remote)	0 NO	1 YES

<b>r0968</b>	<b>Status word 1</b>	<b>Level 3</b>
	<b>Min:</b> - <b>Def:</b> - <b>Max:</b> -	
	<b>Unit:</b> -	

**Details:**

Displays active status word of SED2 (in binary) and can be used to diagnose which commands are active.

**Bitfields:**

Bit00	SED2 ready	0 NO	1 YES
Bit01	SED2 ready to run	0 NO	1 YES
Bit02	SED2 running	0 NO	1 YES
Bit03	SED2 fault active	0 NO	1 YES
Bit04	OFF2 active	0 YES	1 NO
Bit05	OFF3 active	0 YES	1 NO
Bit06	ON inhibit active	0 NO	1 YES
Bit07	SED2 warning active	0 NO	1 YES
Bit08	Deviation setpoint/Actual value	0 YES	1 NO
Bit09	PZD control	0 NO	1 YES
Bit10	Maximum frequency reached	0 NO	1 YES
Bit11	Warning: Motor current limit	0 YES	1 NO
Bit12	Motor holding brake active	0 NO	1 YES
Bit13	Motor overload	0 YES	1 NO
Bit14	Motor runs direction right	0 NO	1 YES
Bit15	SED2 overload	0 YES	1 NO

<b>P0970</b>	<b>Factory reset</b>	<b>Level 1</b>
	<b>Min:</b> 0 <b>Def:</b> 0 <b>Max:</b> 1	
	<b>Unit:</b> -	

**Details:**

Resets all parameters to their default values.

**Enum:**

0 Disabled  
1 Reset all parameters

**Dependency:**

First set P0010=30 (factory settings).

You must stop the SED2 (that is, disable all pulses) before you can reset parameters to default values.

**Note:**

The following parameters retain their values after a factory reset:

P0918 (CB address)  
P2010 (USS baud rate)  
P2011 (USS address)

---



---

<b>P0971</b>	<b>Transfer data from RAM to EEPROM</b>	<b>Level 3</b>
	Min: 0      Def: 0      Max: 1	
	Unit: -	

---

**Details:**

Transfers values from RAM to EEPROM.

**Enum:**

- 0 Disabled
- 1 Start transfer

**Note:**

All values in RAM are transferred to EEPROM.  
P0971 is automatically reset to 0 (default) after successful transfer.

---



---

<b>P1000[2]</b>	<b>Selection of frequency setpoint</b>	<b>Level 1</b>
	Min: 0      Def: 2      Max: 77	
	Unit: -	

---

**Details:**

Selects frequency setpoint source. In the following Enum list of possible settings, the main setpoint is selected from the least significant digit (that is, 0 to 7) and any additional setpoint is selected from the most significant digit (that is, x0 through to x7).

**Example:**

Setting 12 selects main setpoint (2) derived from analog input with additional setpoint (1) taken from the motor potentiometer.

**Note:**

Single digits denote main setpoints that have no additional setpoint.

**Index:**

- P1000[0]: 1st Command data set (CDS)
- P1000[1]: 2nd Command data set (CDS)

**Enum:**

- 0 No main setpoint
- 1 MOP (motor potentiometer) setpoint
- 2 Analog setpoint
- 3 Fixed frequency
- 4 USS on BOP link
- 5 USS on COM link
- 6 CB on COM link
- 7 Analog setpoint 2
  
- 10 No main setpoint + MOP (motor potentiometer) setpoint
- 11 MOP setpoint + MOP (motor potentiometer) setpoint
- 12 Analog setpoint + MOP (motor potentiometer) setpoint
- 13 Fixed frequency + MOP (motor potentiometer) setpoint
- 14 USS on BOP link + MOP (motor potentiometer) setpoint
- 15 USS on COM link + MOP (motor potentiometer) setpoint
- 16 CB on COM link + MOP (motor potentiometer) setpoint
- 17 Analog setpoint 2 + MOP (motor potentiometer) setpoint
  
- 20 No main setpoint + Analog setpoint
- 21 MOP (motor potentiometer) setpoint + Analog setpoint
- 22 Analog setpoint + Analog setpoint
- 23 Fixed frequency + Analog setpoint
- 24 USS on BOP link + Analog setpoint
- 25 USS on COM link + Analog setpoint

- 26 CB on COM link + Analog setpoint
- 27 Analog setpoint 2 + Analog setpoint
  
- 30 No main setpoint + Fixed frequency
- 31 MOP (motor potentiometer) setpoint + Fixed frequency
- 32 Analog setpoint + Fixed frequency
- 33 Fixed frequency + Fixed frequency
- 34 USS on BOP link + Fixed frequency
- 35 USS on COM link + Fixed frequency
- 36 CB on COM link + Fixed frequency
- 37 Analog setpoint 2 + Fixed frequency
  
- 40 No main setpoint + USS on BOP link
- 41 MOP (motor potentiometer) setpoint + USS on BOP link
- 42 Analog setpoint + USS on BOP link
- 43 Fixed frequency + USS on BOP link
- 44 USS on BOP link + USS on BOP link
- 45 USS on COM link + USS on BOP link
- 46 CB on COM link + USS on BOP link
- 47 Analog setpoint 2 + USS on BOP link
  
- 50 No main setpoint + USS on COM link
- 51 MOP (motor potentiometer) setpoint + USS on COM link
- 52 Analog setpoint + USS on COM link
- 53 Fixed frequency + USS on COM link
- 54 USS on BOP link + USS on COM link
- 55 USS on COM link + USS on COM link
- 56 CB on COM link + USS on COM link
- 57 Analog setpoint 2 + USS on COM link
  
- 60 No main setpoint + CB on COM link
- 61 MOP (motor potentiometer) setpoint + CB on COM link
- 62 Analog setpoint + CB on COM link
- 63 Fixed frequency + CB on COM link
- 64 USS on BOP link + CB on COM link
- 65 USS on COM link + CB on COM link
- 66 CB on COM link + CB on COM link
- 67 Analog setpoint 2 + CB on COM link
  
- 70 No main setpoint + Analog setpoint 2
- 71 MOP (motor potentiometer) setpoint + Analog setpoint 2
- 72 Analog setpoint + Analog setpoint 2
- 73 Fixed frequency + Analog setpoint 2
- 74 USS on BOP link + Analog setpoint 2
- 75 USS on COM link + Analog setpoint 2
- 76 CB on COM link + Analog setpoint 2
- 77 Analog setpoint 2 + Analog setpoint 2

<b>P1001</b>	<b>Fixed frequency 1</b>	<b>Level 3</b>
	Min: -650.00 Def: 0.00 Max: 650.00	
	Unit: Hz	

**Details:**

Defines fixed frequency setpoint 1. There are three types of fixed frequencies:

1. Direct selection (P0701 to P0706=15).

In this mode of operation 1 digital input selects 1 fixed frequency. If several inputs are active together, the selected frequencies are summed. For example: FF1 + FF2 + FF3 + FF4 + FF5 + FF6=r1024. Enabled digital inputs will add to the selected frequencies even when programming for other operation. Clear all values in P1002 through P1015 that are not needed.

2. Direct selection + ON command (P0701 to P0706=16).

The fixed frequency selection combines the fixed frequencies with an ON command. In this mode of operation 1 digital input selects 1 fixed frequency. If several inputs are active together, the selected frequencies are summed. For example: FF1 + FF2 + FF3 + FF4 + FF5 + FF6=r1024. Enabled digital inputs will add to the selected frequencies even when programming for other operation. Clear all values in P1002 through P1015 that are not needed.

3. Binary coded selection + ON command (P0701 to P0704=17).

Select up to 16 fixed frequencies using this method. Select the fixed frequencies (FF1 to FF15) according to the following table: Enabled digital inputs will add to the selected frequencies even when programming for other operation. Clear all values in P1002 through P1015 that are not needed.

		Digital Input 4	Digital Input 3	Digital Input 2	Digital Input 1
	<b>OFF</b>	Inactive	Inactive	Inactive	Inactive
<b>P1001</b>	FF1	Inactive	Inactive	Inactive	<b>Active</b>
<b>P1002</b>	FF2	Inactive	Inactive	<b>Active</b>	Inactive
<b>P1003</b>	FF3	Inactive	Inactive	<b>Active</b>	<b>Active</b>
<b>P1004</b>	FF4	Inactive	<b>Active</b>	Inactive	Inactive
<b>P1005</b>	FF5	Inactive	<b>Active</b>	Inactive	<b>Active</b>
<b>P1006</b>	FF6	Inactive	<b>Active</b>	<b>Active</b>	Inactive
<b>P1007</b>	FF7	Inactive	<b>Active</b>	<b>Active</b>	<b>Active</b>
<b>P1008</b>	FF8	<b>Active</b>	Inactive	Inactive	Inactive
<b>P1009</b>	FF9	<b>Active</b>	Inactive	Inactive	<b>Active</b>
<b>P1010</b>	FF10	<b>Active</b>	Inactive	<b>Active</b>	Inactive
<b>P1011</b>	FF11	<b>Active</b>	Inactive	<b>Active</b>	<b>Active</b>
<b>P1012</b>	FF12	<b>Active</b>	<b>Active</b>	Inactive	Inactive
<b>P1013</b>	FF13	<b>Active</b>	<b>Active</b>	Inactive	<b>Active</b>
<b>P1014</b>	FF14	<b>Active</b>	<b>Active</b>	<b>Active</b>	Inactive
<b>P1015</b>	FF15	<b>Active</b>	<b>Active</b>	<b>Active</b>	<b>Active</b>

**Dependency:**

Select fixed frequency operation (using P1000).

SED2 requires ON command to start in the case of direct selection (P0701 to P0706=15).

**Note:**

Fixed frequencies can be selected using the digital inputs, and can also be combined with an ON command.

<b>P1002</b>	<b>Fixed frequency 2</b>			<b>Level 3</b>
	Min: -650.00	Def: 5.00	Max: 650.00	
	Unit: Hz			

**Details:**

Defines fixed frequency setpoint 2.

**Reference:**

See P1001 (fixed frequency 1).

**Note:**

Clear all unused fixed frequencies.

<b>P1003</b>	<b>Fixed frequency 3</b>			<b>Level 3</b>
	Min: -650.00	Def: 10.00	Max: 650.00	
	Unit: Hz			

**Details:**

Defines fixed frequency setpoint 3.

**Reference:**

See P1001 (fixed frequency 1).

**Note:**

Clear all unused fixed frequencies.

<b>P1004</b>	<b>Fixed frequency 4</b>			<b>Level 3</b>
	Min: -650.00	Def: 15.00	Max: 650.00	
	Unit: Hz			

**Details:**

Defines fixed frequency setpoint 4.

**Reference:**

See P1001 (fixed frequency 1).

**Note:**

Clear all unused fixed frequencies.

<b>P1005</b>	<b>Fixed frequency 5</b>			<b>Level 3</b>
	Min: -650.00	Def: 20.00	Max: 650.00	
	Unit: Hz			

**Details:**

Defines fixed frequency setpoint 5.

**Reference:**

See P1001 (fixed frequency 1).

**Note:**

Clear all unused fixed frequencies.

---



---

<b>P1006</b>	<b>Fixed frequency 6</b>	<b>Level 3</b>
	Min: -650.00 Def: 25.00 Max: 650.00	
	Unit: Hz	

---

**Details:**  
 Defines fixed frequency setpoint 6.

**Reference:**  
 See P1001 (fixed frequency 1).

**Note:**  
 Clear all unused fixed frequencies.

---



---

<b>P1007</b>	<b>Fixed frequency 7</b>	<b>Level 3</b>
	Min: -650.00 Def: 30.00 Max: 650.00	
	Unit: Hz	

---

**Details:**  
 Defines fixed frequency setpoint 7.

**Reference:**  
 See P1001 (fixed frequency 1).

**Note:**  
 Clear all unused fixed frequencies.

---



---

<b>P1008</b>	<b>Fixed frequency 8</b>	<b>Level 3</b>
	Min: -650.00 Def: 35.00 Max: 650.00	
	Unit: Hz	

---

**Details:**  
 Defines fixed frequency setpoint 8.

**Reference:**  
 See P1001 (fixed frequency 1).

**Note:**  
 Clear all unused fixed frequencies.

---



---

<b>P1009</b>	<b>Fixed frequency 9</b>	<b>Level 3</b>
	Min: -650.00 Def: 40.00 Max: 650.00	
	Unit: Hz	

---

**Details:**  
 Defines fixed frequency setpoint 9.

**Reference:**  
 See P1001 (fixed frequency 1).

**Note:**  
 Clear all unused fixed frequencies.

---



---

<b>P1010</b>	<b>Fixed frequency 10</b>	<b>Level 3</b>
	Min: -650.00 Def: 45.00 Max: 650.00	
	Unit: Hz	

---

**Details:**  
 Defines fixed frequency setpoint 10.

**Reference:**  
 See P1001 (fixed frequency 1).

**Note:**  
 Clear all unused fixed frequencies.



---



---

<b>P1011</b>	<b>Fixed frequency 11</b>	<b>Level 3</b>
	Min: -650.00 Def: 50.00 Max: 650.00	
	Unit: Hz	

---

**Details:** Defines fixed frequency setpoint 11.  
**Reference:** See P1001 (fixed frequency 1).  
**Note:** Clear all unused fixed frequencies.

---



---

<b>P1012</b>	<b>Fixed frequency 12</b>	<b>Level 3</b>
	Min: -650.00 Def: 55.00 Max: 650.00	
	Unit: Hz	

---

**Details:** Defines fixed frequency setpoint 12.  
**Reference:** See P1001 (fixed frequency 1).  
**Note:** Clear all unused fixed frequencies.

---



---

<b>P1013</b>	<b>Fixed frequency 13</b>	<b>Level 3</b>
	Min: -650.00 Def: 60.00 Max: 650.00	
	Unit: Hz	

---

**Details:** Defines fixed frequency setpoint 13.  
**Reference:** See P1001 (fixed frequency 1).  
**Note:** Clear all unused fixed frequencies.

---



---

<b>P1014</b>	<b>Fixed frequency 14</b>	<b>Level 3</b>
	Min: -650.00 Def: 65.00 Max: 650.00	
	Unit: Hz	

---

**Details:** Defines fixed frequency setpoint 14.  
**Reference:** See P1001 (fixed frequency 1).  
**Note:** Clear all unused fixed frequencies.

---



---

<b>P1015</b>	<b>Fixed frequency 15</b>	<b>Level 3</b>
	Min: -650.00 Def: 65.00 Max: 650.00	
	Unit: Hz	

---

**Details:** Defines fixed frequency setpoint 15.  
**Reference:** See P1001 (fixed frequency 1).  
**Note:** Clear all unused fixed frequencies.

---



---

<b>P1016</b>	<b>Fixed frequency mode - Bit 0</b>	<b>Level 3</b>
	Min: 1      Def: 1      Max: 3	
	Unit: -	

---

**Details:**

Defines fixed frequency mode for selection Bit 0.

**Enum:**

- 1 Direct selection
- 2 Direct selection + ON command
- 3 Binary coded selection + ON command

**Reference:**

See table in *P1001* (fixed frequency 1) for description of how to use fixed frequencies.

---



---

<b>P1017</b>	<b>Fixed frequency mode - Bit 1</b>	<b>Level 3</b>
	Min: 1      Def: 1      Max: 3	
	Unit: -	

---

**Details:**

Defines fixed frequency mode for selection Bit 1.

**Enum:**

- 1 Direct selection
- 2 Direct selection + ON command
- 3 Binary coded selection + ON command

**Reference:**

See table in *P1001* (fixed frequency 1) for description of how to use fixed frequencies.

---



---

<b>P1018</b>	<b>Fixed frequency mode - Bit 2</b>	<b>Level 3</b>
	Min: 1      Def: 1      Max: 3	
	Unit: -	

---

**Details:**

Defines fixed frequency mode for selection Bit 2.

**Enum:**

- 1 Direct selection
- 2 Direct selection + ON command
- 3 Binary coded selection + ON command

**Reference:**

See table in *P1001* (fixed frequency 1) for a description of how to use fixed frequencies.

---



---

<b>P1019</b>	<b>Fixed frequency mode - Bit 3</b>	<b>Level 3</b>
	Min: 1      Def: 1      Max: 3	
	Unit: -	

---

**Details:**

Defines fixed frequency mode for selection Bit 3.

**Enum:**

- 1 Direct selection
- 2 Direct selection + ON command
- 3 Binary coded selection + ON command

**Reference:**

See table in *P1001* (fixed frequency 1) for a description of how to use fixed frequencies.

---



---

<b>P1020[2]</b>	<b>BI: Fixed frequency selection Bit 0</b>	<b>Level 3</b>
	Min: 0:0      Def: 0:0      Max: 4000:0	
	Unit: -	

---

**Details:**

Defines origin of fixed frequency selection Bit 0.

**Index:**

- P1020[0]: 1st Command data set (CDS)
- P1020[1]: 2nd Command data set (CDS)

**Settings:**

- P1020=722.0 ==> Digital input 1
- P1021=722.1 ==> Digital input 2
- P1022=722.2 ==> Digital input 3
- P1023=722.3 ==> Digital input 4
- P1026=722.4 ==> Digital input 5
- P1028=722.5 ==> Digital input 6

**Dependency:**

Accessible only if P0701 to P0706=99 (function of digital inputs= BiCo).

---



---

<b>P1021[2]</b>	<b>BI: Fixed frequency selection Bit 1</b>	<b>Level 3</b>
	Min: 0:0      Def: 0:0      Max: 4000:0	
	Unit: -	

---

**Details:**

Defines origin of fixed frequency selection Bit 1.

**Index:**

- P1021[0]: 1st Command data set (CDS)
- P1021[1]: 2nd Command data set (CDS)

**Dependency:**

Accessible only if P0701 to P0706=99 (function of digital inputs= BiCo).

**Reference:**

See *P1020* (fixed frequency selection bit 0) for most common settings.

<b>P1022[2]</b>	<b>BI: Fixed frequency selection Bit 2</b>	<b>Level 3</b>
	Min: 0:0      Def: 0:0      Max: 4000:0	
	Unit: -	

**Details:**

Defines origin of fixed frequency selection Bit 2.

**Index:**

P1022[0]: 1st Command data set (CDS)  
 P1022[1]: 2nd Command data set (CDS)

**Dependency:**

Accessible only if P0701 to P0706=99 (function of digital inputs= BiCo)

**Reference:**

See *P1020* (fixed frequency selection Bit 0) for most common settings.

<b>P1023[2]</b>	<b>BI: Fixed frequency selection Bit 3</b>	<b>Level 3</b>
	Min: 0:0      Def: 722:3      Max: 4000:0	
	Unit: -	

**Details:**

Defines origin of fixed frequency selection Bit 3.

**Index:**

P1023[0]: 1st Command data set (CDS)  
 P1023[1]: 2nd Command data set (CDS)

**Dependency:**

Accessible only if P0701 to P0706=99 (function of digital inputs= BiCo).

**Reference:**

See *P1020* (fixed frequency selection bit 0) for most common settings.

<b>r1024</b>	<b>CO: Actual fixed frequency</b>	<b>Level 3</b>
	Min: -      Def: -      Max: -	
	Unit: Hz	

**Details:**

Displays sum total of selected fixed frequencies.

<b>P1025</b>	<b>Fixed frequency mode - Bit 4</b>	<b>Level 3</b>
	Min: 1      Def: 1      Max: 2	
	Unit: -	

**Details:**

Defines fixed frequency mode for selection Bit 4.

**Enum:**

- 1 Direct selection
- 2 Direct selection + ON command

**Reference:**

See *P1001* for description of how to use fixed frequencies.

---



---

**P1026[2] BI: Fixed frequency selection Bit 4** **Level 3**  
**Min:** 0:0    **Def:** 722:4    **Max:** 4000:0  
**Unit:** -

---

**Details:** Defines origin of fixed frequency selection Bit 4.  
**Index:** P1026[0]: 1st Command data set (CDS)  
P1026[1]: 2nd Command data set (CDS)  
**Dependency:** Accessible only if P0701 to P0706=99 (function of digital inputs= BiCo).  
**Reference:** See *P1020* (fixed frequency selection bit 0) for most common settings.

---

**P1027 Fixed frequency mode - Bit 5** **Level 3**  
**Min:** 1    **Def:** 1    **Max:** 2  
**Unit:** -

---

**Details:** Defines fixed frequency mode for selection Bit 5.  
**Enum:**  
1 Direct selection  
2 Direct selection + ON command  
**Reference:** See *P1001* for description of how to use fixed frequencies.

---



---



---

**P1028[2] BI: Fixed frequency selection Bit 5** **Level 3**  
**Min:** 0:0    **Def:** 722:5    **Max:** 4000:0  
**Unit:** -

---

**Details:** Defines origin of fixed frequency selection Bit 5.  
**Index:** P1028[0]: 1st Command data set (CDS)  
P1028[1]: 2nd Command data set (CDS)  
**Dependency:** Accessible only if P0701 to P0706=99 (function of digital inputs= BiCo).  
**Reference:** See *P1020* (fixed frequency selection bit 0) for most common settings.

---



---



---

**P1031 Setpoint memory of the MOP** **Level 3**  
**Min:** 0    **Def:** 1    **Max:** 1  
**Unit:** -

---

**Details:** Saves last motor potentiometer (MOP) setpoint that was active before OFF command or power down.  
**Enum:**  
0 MOP (motor potentiometer) setpoint will not be stored  
1 MOP (motor potentiometer) setpoint will be stored (P1040 is updated)  
**Note:** On next ON command, motor potentiometer setpoint will be the saved value in parameter P1040 (setpoint of the motor potentiometer, MOP).

<b>P1032</b>	<b>Inhibit reverse direction of MOP</b>	<b>Level 3</b>
	<b>Min: 0      Def: 1      Max: 1</b>	
	<b>Unit: -</b>	

**Details:**

Inhibits reverse motor potentiometer (MOP) setpoint selection.

**Enum:**

- 0 Reserve direction is allowed
- 1 Reserve direction inhibited

**Dependency:**

Motor potentiometer (P1040) must be chosen as main setpoint or additional setpoint (using P1000).

**Note:**

It is possible to change motor direction using the motor potentiometer setpoint (increase/decrease frequency either by using digital inputs or BOP/AOP keypad up/down).

<b>P1040</b>	<b>Setpoint of the MOP</b>	<b>Level 2</b>
	<b>Min: -650.00    Def: 10.00    Max: 650.00</b>	
	<b>Unit: Hz</b>	

**Details:**

Determines setpoint for motor potentiometer (MOP) control (P1000=1).

**Note:**

If motor potentiometer setpoint is selected either as main setpoint or additional setpoint, the reverse direction will be inhibited by default of P1032 (inhibit reverse direction of motor potentiometer, MOP).

To re-enable reverse direction, set P1032=0.

<b>r1050</b>	<b>CO: Actual Output frequency of the MOP</b>	<b>Level 3</b>
	<b>Min: -      Def: -      Max: -</b>	
	<b>Unit: Hz</b>	

**Details:**

Displays output frequency of motor potentiometer(MOP) setpoint (Hz).

<b>r1078</b>	<b>CO: Total frequency setpoint</b>	<b>Level 3</b>
	<b>Min: -      Def: -      Max: -</b>	
	<b>Unit: Hz</b>	

**Details:**

Displays sum of main and additional setpoints in Hz.

---



---

<b>P1080</b>	<b>Min. frequency</b>	<b>Level 1</b>
	<b>Min:</b> 0.00 <b>Def:</b> 10.00 <b>Max:</b> 650.00	
	<b>Unit:</b> Hz	

---

**Details:**

Sets minimum motor frequency (Hz) at which motor will run irrespective of frequency setpoint.

**Note:**

The value set here is valid both for clockwise and for counterclockwise rotation.

Under certain conditions (such as, ramping, current limiting), motor can run below minimum frequency.

---



---

<b>P1082</b>	<b>Max. frequency</b>	<b>Level 1</b>
	<b>Min:</b> 0.00 <b>Def:</b> 50.00/ <b>Max:</b> 150.00	
	<b>Unit:</b> Hz                      60.00, Varies	

---

**Details:**

Sets maximum motor frequency (Hz) at which motor will run irrespective of the frequency setpoint.

**Note:**

The value set here is valid for both clockwise and counterclockwise rotation.

Maximum motor speed is subject to mechanical limitations.

---



---

<b>P1091</b>	<b>Skip frequency 1</b>	<b>Level 3</b>
	<b>Min:</b> 0.00 <b>Def:</b> 0.00 <b>Max:</b> 650.00	
	<b>Unit:</b> Hz	

---

**Details:**

Defines skip frequency 1 which avoids effects of mechanical resonance and suppresses frequencies within +/- P1101 (skip frequency bandwidth).

**Note:**

Stationary operation is not possible within the suppressed frequency range; the range is merely passed through (on the ramp).

For example, if P1091=10 Hz and P1101=2 Hz, it is not possible to operate continuously between 10 Hz +/- 2 Hz (that is, between 8 and 12 Hz).

---

---

<b>P1092</b>	<b>Skip frequency 2</b>				<b>Level 3</b>
	Min: 0.00	Def: 0.00	Max: 650.00		
	Unit: Hz				

---

**Details:**

Defines skip frequency 2 which avoids effects of mechanical resonance and suppresses frequencies within +/- P1101 (skip frequency bandwidth).

**Reference:**

See P1091 (skip frequency 1).

---

---

---

<b>P1093</b>	<b>Skip frequency 3</b>				<b>Level 3</b>
	Min: 0.00	Def: 0.00	Max: 650.00		
	Unit: Hz				

---

**Details:**

Defines skip frequency 3 which avoids effects of mechanical resonance and suppresses frequencies within +/- P1101 (skip frequency bandwidth).

**Reference:**

See P1091 (skip frequency 1).

---

---

---

<b>P1094</b>	<b>Skip frequency 4</b>				<b>Level 3</b>
	Min: 0.00	Def: 0.00	Max: 650.00		
	Unit: Hz				

---

**Details:**

Defines skip frequency 4 which avoids effects of mechanical resonance and suppresses frequencies within +/- P1101 (skip frequency bandwidth).

**Reference:**

See P1091 (skip frequency 1).

---

---

---

<b>P1101</b>	<b>Skip frequency bandwidth</b>				<b>Level 3</b>
	Min: 0.00	Def: 2.00	Max: 10.00		
	Unit: Hz				

---

**Details:**

Delivers frequency bandwidth (Hz) to be applied to skip frequencies.

**Reference:**

See P1091 (skip frequency 1).



---



---

<b>P1110[2]</b>	<b>BI: Inhibit negative frequency setpoint</b>	<b>Level 3</b>
	<b>Min: 0:0    Def: 1    Max: 4000:0</b>	
	<b>Unit: -</b>	

---

**Details:**

Inhibits direction reversal, thus preventing a negative setpoint from causing motor to run in reverse. Instead, it will run at minimum frequency (P1080) in the normal direction.

**Index:**

P1110[0]: 1st Command data set (CDS)  
P1110[1]: 2nd Command data set (CDS)

**Settings:**

0=Disabled  
1=Enabled

**Note:**

It is possible to disable all reverse commands (that is, the command is ignored).

This function does not disable the "reverse" command function; rather, a reverse command causes the motor to run at minimum frequency (P1080) in the normal direction.

---



---

<b>P1120</b>	<b>Ramp-up time</b>	<b>Level 1</b>
	<b>Min: 0.00    Def: 10.00    Max: 650.00</b>	
	<b>Unit: s</b>	

---

**Details:**

Time allowed for motor to accelerate from standstill up to maximum motor frequency (P1082) when no rounding is used.

Setting the ramp-up time too short can cause the SED2 to trip (overcurrent, F0001).

**Note:**

If using an external frequency setpoint with set ramp rates (such as from a PLC), the best way to achieve optimum SED2 performance is to set ramp times in P1120 and P1121 slightly shorter than those of the PLC.

Ramp times is used as follows:

P1060/P1061: JOG mode is active  
P1120/P1121: Normal mode (ON/OFF) is active  
P1060/P1061: Normal mode (ON/OFF) and P1124 is active

---



---

<b>P1121</b>	<b>Ramp-down time</b>	<b>Level 1</b>
	<b>Min:</b> 10.00 <b>Def:</b> 30.00 <b>Max:</b> 650.00	
	<b>Unit:</b> s	

---

**Details:**

Time allowed for motor to decelerate from maximum motor frequency (P1082) down to standstill when no rounding is used.

**Note:**

Setting the ramp-down time too short can cause the SED2 to trip (overcurrent, F0001/overvoltage, F0002).

Ramp times is used as follows:

- P1060/P1061: JOG mode is active
- P1120/P1121: Normal mode (ON/OFF) is active
- P1060/P1061: Normal mode (ON/OFF) and P1124 is active

---



---

<b>P1135</b>	<b>OFF3 ramp-down time</b>	<b>Level 3</b>
	<b>Min:</b> 0.00 <b>Def:</b> 5.00 <b>Max:</b> 650.00	
	<b>Unit:</b> s	

---

**Details:**

Defines ramp-down time from maximum frequency to standstill for OFF3 command.

**Note:**

This time may be exceeded if the Vdc\_max. level is reached.

---



---

<b>P1140[2]</b>	<b>BI: RFG enable</b>	<b>Level 3</b>
	<b>Min:</b> 0:0 <b>Def:</b> 1:0 <b>Max:</b> 4000:0	
	<b>Unit:</b> -	

---

**Details:**

Defines command source of RFG (ramp function generator) enable command.

**Index:**

- P1140[0]: 1st Command data set (CDS)
- P1140[1]: 2nd Command data set (CDS)

---



---

<b>P1141[2]</b>	<b>BI: RFG start</b>	<b>Level 3</b>
	<b>Min:</b> 0:0 <b>Def:</b> 1:0 <b>Max:</b> 4000:0	
	<b>Unit:</b> -	

---

**Details:**

Defines command source of RFG (ramp function generator) start command.

**Index:**

- P1141[0]: 1st Command data set (CDS)
- P1141[1]: 2nd Command data set (CDS)

---



---

<b>P1142[2]</b>	<b>BI: RFG enable setpoint</b>	<b>Level 3</b>
	<b>Min:</b> 0:0 <b>Def:</b> 1:0 <b>Max:</b> 4000:0	
	<b>Unit:</b> -	

---

**Details:**

Defines command source of RFG (ramp function generator) enable setpoint command.

**Index:**

P1142[0]: 1st Command data set (CDS)  
P1142[1]: 2nd Command data set (CDS)

---



---

<b>P1200</b>	<b>Flying start</b>	<b>Level 3</b>
	<b>Min:</b> 0 <b>Def:</b> 0 <b>Max:</b> 6	
	<b>Unit:</b> -	

---

**Details:**

Starts SED2 onto a spinning motor by rapidly changing the output frequency of the SED2 until the actual motor speed has been found. Then, the motor runs up to setpoint using the normal ramp time.

**Enum:**

- 0 Flying start disabled
- 1 Flying start is always active, start in direction of setpoint
- 2 Flying start is active if power on, fault, OFF2, start in direction of setpoint
- 3 Flying start is active if fault, OFF2, start in direction of setpoint
- 4 Flying start is always active, only in direction of setpoint
- 5 Flying start is active if power on, fault, OFF2, only in direction of setpoint
- 6 Flying start is active if fault, OFF2, only in direction of setpoint

**Note:**

P1200 is useful for motors with high inertia loads.

Settings 1 to 3 search in both directions.  
Settings 4 to 6 search only in direction of setpoint.

Flying start must be used in cases where the motor may still be turning (such as after a short supply power break) or can be driven by the load. Otherwise, overcurrent trips will occur.

---



---

<b>P1202</b>	<b>Motor-current: Flying start</b>	<b>Level 3</b>
	<b>Min:</b> 10 <b>Def:</b> 100 <b>Max:</b> 200	
	<b>Unit:</b> %	

---

**Details:**

Defines search current used for flying start.

Value is in % based on rated motor current (P0305).

**Note:**

Reducing the search current may improve performance for flying start if the inertia of the system is not very high.

<b>P1203</b>	<b>Search rate: Flying start</b>			<b>Level 3</b>
	Min: 10	Def: 100	Max: 200	
	Unit: %			

**Details:**

Sets factor by which the output frequency changes during flying start to synchronize with turning motor. This value, is entered in % relative to the default time factor, defines the initial gradient (and thus influences the time taken to search for the motor frequency):

The search time is the time taken to search through all frequencies between  $f_{max} + 2 \times f_{slip}$  to 0 Hz.

P1203=100% is defined as giving a rate of 2% of  $f_{slip,nom}/ms$ .

P1203=200% would result in a rate of frequency change of 1% of  $f_{slip,nom}/ms$ .

**Example:**

For a motor with 50 Hz, 1350 rpm, 100% would produce a maximum search time of 600 ms. If the motor is turning, the motor frequency is found in a shorter time.

**Note:**

A higher value produces a flatter gradient and thus a longer search time. A lower value has the opposite effect.

<b>P1210</b>	<b>Automatic restart</b>			<b>Level 3</b>
	Min: 0	Def: 1	Max: 5	
	Unit: -			

**Details:**

Enables restart after a supply power break or after a fault.

**Enum:**

- |   |  |                |
|---|--|----------------|
| 0 | Disabled                                     |                |
| 1 | Trip reset after power on                    | P1211 disabled |
| 2 | Restart after supply power blackout          | P1211 disabled |
| 3 | Restart after brownout or fault              | P1211 enabled  |
| 4 | Restart after supply power brownout          | P1211 disabled |
| 5 | Restart supply power after blackout or fault | P1211 disabled |

**Dependency:**

Auto restart requires constant ON command (such as via a digital input wire link).

**CAUTION:**

Settings 2 to 5 can cause the motor to restart unexpectedly.

**Note:**

P1200 flying start must be used in cases where the motor may still be turning (such as after a short supply power break) or can be driven by the load.

A **supply power brownout** is when the power is interrupted and reapplied before the operator panel display has gone dark. It is a very short supply power break where the DC link has not fully collapsed.

A **supply power blackout** is when the operator panel display has gone dark before the power is reapplied. It is a long supply power break where the DC link has fully collapsed.

<b>P1211</b>	<b>Number of restart attempts</b>	<b>Level 3</b>
Min: 0	Def: 3	Max: 10
Unit: -		

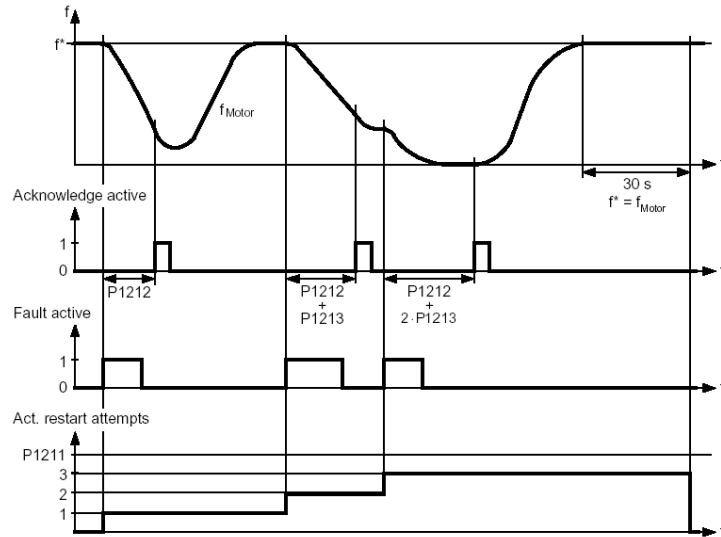
**Details:**

Specifies number of times SED2 will attempt to restart after supply power brownout or fault, if P1210 automatic restart is activated.

<b>P1212</b>	<b>Time to first restart</b>	<b>Level 3</b>
Min: 0	Def: 30	Max: 1000
Unit: s		

**Details:**

Selects the time before the SED2 is restarted for the first time if P1210 automatic restart is activated.



<b>P1213</b>	<b>Restart time increment</b>	<b>Level 3</b>
Min: 0	Def: 30	Max: 1000
Unit: s		

**Details:**

Selects the amount (seconds) that the restart time is incremented for each restart of the SED2 if P1210 automatic restart is activated.

<b>P1230[2]</b>	<b>BI: Enable DC braking</b>	<b>Level 3</b>
	Min: 0:0      Def: 0:0      Max: 4000:0	
	Unit: -	

**Details:**

Enables DC braking via a signal applied from an external source. Function remains active while external input signal is active.

DC braking causes the motor to stop rapidly by applying a DC braking current (current applied also holds shaft stationary).

When the DC braking signal is applied, the SED2 output pulses are blocked and the DC current is not applied until the motor has been sufficiently demagnetized.

**Index:**

P1230[0]: 1st Command data set (CDS)  
 P1230[1]: 2nd Command data set (CDS)

**Settings:**

722.0= Digital input 1 (requires P0701 to be set to 99, BiCo)  
 722.1= Digital input 2 (requires P0702 to be set to 99, BiCo)  
 722.2= Digital input 3 (requires P0703 to be set to 99, BiCo)  
 722.3= Digital input 4 (requires P0704 to be set to 99, BiCo)  
 722.4= Digital input 5 (requires P0705 to be set to 99, BiCo)  
 722.5= Digital input 6 (requires P0706 to be set to 99, BiCo)  
 722.6= Digital input 7 (via analog input 1, requires P0707 to be set to 99)  
 722.7= Digital input 8 (via analog input 2, requires P0708 to be set to 99)

**CAUTION:**

Frequent use of long periods of DC braking can cause the motor to overheat.

**Note:**

This delay time is set in P0347 (demagnetization time). If this delay is too short, overcurrent trips can occur.

<b>P1232</b>	<b>DC braking current</b>	<b>Level 3</b>
	Min: 0      Def: 100      Max: 250	
	Unit: %	

**Details:**

Defines level of DC current in % relative to rated motor current (P0305).

---



---

<b>P1233</b>	<b>Duration of DC braking</b>	<b>Level 3</b>
	Min: 0      Def: 0      Max: 250	
	Unit: s	

---

**Details:**  
 Defines duration for which DC injection braking is to be active following an OFF1 command.

**Value:**  
 P1233=0: Not active following OFF1.  
 P1233=1 to 250: Active for the specified duration.

**Caution:**  
 Frequent use of long periods of DC braking can cause the motor to overheat.

**Note:**  
 The DC braking function causes the motor to stop rapidly by applying a DC braking current (the current applied also holds the shaft stationary). When the DC braking signal is applied, the SED2 output pulses are blocked and the DC current not applied until the motor has been sufficiently demagnetized (demagnetization time is calculated automatically from motor data).

---



---

<b>P1236</b>	<b>Compound braking current</b>	<b>Level 3</b>
	Min: 0      Def: 0      Max: 250	
	Unit: %	

---

Defines DC level superimposed on AC waveform. The value is entered in % relative to rated motor current (P0305).

**Value:**  
 P1236=0 : Compound braking disabled.  
 P1236=1 to 250 : Level of DC braking current defined as a % of rated motor current (P0305).

**Dependency:**  
 Active after OFF1/OFF3 command.

**Note:**  
 Increasing the value generally improves braking performance; however, if you set the value too high, an overcurrent trip may result.

---



---

<b>P1240</b>	<b>Configuration of Vdc controller</b>	<b>Level 3</b>
	Min: 0      Def: 1      Max: 3	
	Unit: -	

---

**Details:**  
 Enables/disables Vdc controller.

The Vdc controller dynamically controls the DC link voltage to prevent overvoltage trips on high inertia systems.

**Enum:**

- 0 Vdc controller disabled
- 1 Vdc-max controller enabled
- 2 Reserved
- 3 Reserved

**Note:**  
 Vdc-max automatically increases ramp-down times to keep the DC link voltage (r0026) within limits.

SED2 VFD Parameter Reference Guide

<b>P1260</b>	<b>Reserved</b> Min: Unit:	<b>Def:</b>	<b>Max:</b>	<b>Level 2</b>
<b>r1261</b>	<b>Reserved</b> Min: Unit:	<b>Def:</b>	<b>Max:</b>	<b>Level 2</b>
<b>P1262</b>	<b>Reserved</b> Min: Unit:	<b>Def:</b>	<b>Max:</b>	<b>Level 2</b>
<b>P1263</b>	<b>Reserved</b> Min: Unit:	<b>Def:</b>	<b>Max:</b>	<b>Level 2</b>
<b>P1264</b>	<b>Reserved</b> Min: Unit:	<b>Def:</b>	<b>Max:</b>	<b>Level 2</b>
<b>P1265</b>	<b>Reserved</b> Min: Unit:	<b>Def:</b>	<b>Max:</b>	<b>Level 2</b>
<b>P1266[2]</b>	<b>Reserved</b> Min: Unit:	<b>Def:</b>	<b>Max:</b>	<b>Level 2</b>
<b>P1270[2]</b>	<b>BI: Enable essential service</b> Min: 0:0 Unit: -	<b>Def: 0:0</b>	<b>Max: 4000:0</b>	<b>Level 3</b>

**Details:**

Enables essential service.

**Index:**

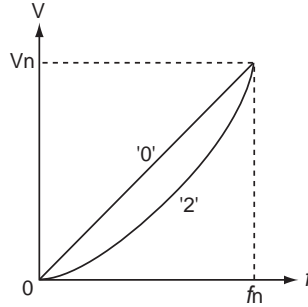
P1270[0]: 1st Command data set (CDS)  
P1270[1]: 2nd Command data set (CDS)



<b>P1300</b>	<b>Control mode</b>			<b>Level 3</b>
	Min: 0	Def: 2	Max: 23	
	Unit: -			

**Details:**

Controls relationship between speed of motor and voltage supplied by SED2 as follows:



**Enum:**

- 0 V/f with linear charac.
- 1 V/f with FCC
- 2 V/f with parabolic characteristic
- 3 Reserved
- 4 Reserved
- 5 Reserved
- 6 Reserved
- 19 Reserved
- 20 Reserved
- 21 Reserved
- 22 Reserved
- 23 Reserved

**Note:**

P1300=1: V/f with FCC

- \* Maintains motor flux current for improved efficiency.
- \* If FCC is chosen, linear V/f is active at low frequencies.

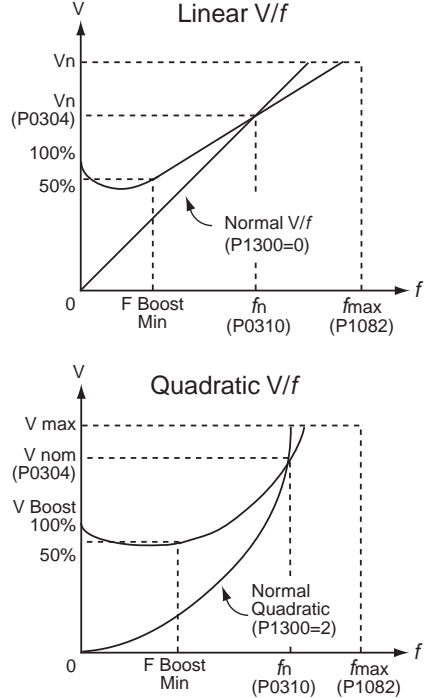
P1300=2: V/f with a quadratic curve.

- \* Suitable for centrifugal fans/pumps.

<b>P1310</b>	<b>Continuous boost</b>	<b>Level 3</b>	
	Min: 0.0	Def: 50.0	Max: 250.0
	Unit: %		

**Details:**

Defines boost level in % relative to P0305 (rated motor current) applicable to both linear and quadratic V/f curves as follows:



where

V\_Boost,100=  
Voltage from rated motor current (P0305) \* Stator resistance (P0350)

**Dependency:**

Setting in P0640 (motor overload factor %) limits the boost.

**Note:**

The boost values are combined when continuous boost (P1310) is used in conjunction with other boost parameters (acceleration boost P1311 and starting boost P1312). However, priorities are allocated to these parameters as follows:

P1310 > P1311 > P1312

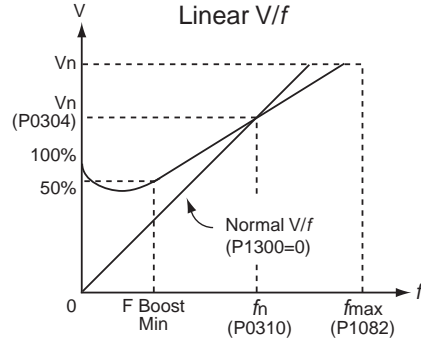
Increasing the boost levels increases motor heating (especially at standstill).

$$\sum \text{Boosts} \leq (300 / I_{mot}) * R_s$$

<b>P1311</b>	<b>Acceleration boost</b>	<b>Level 3</b>
	Min: 0.0 Def: 0.0 Max: 250.00	
	Unit: %	

**Details:**

Applies boost in % relative to P0305 (rated motor current) following a positive setpoint change and drops back out once the setpoint is reached.



**Dependency:**

Setting in P0640 (motor overload factor %) limits boost.

**Note:**

Acceleration boost can help to improve response to small positive setpoint changes.

$$\sum \text{Boosts} \leq (300 / I_{mot}) * R_s$$

Increasing the boost level increases motor heating.

**Reference:**

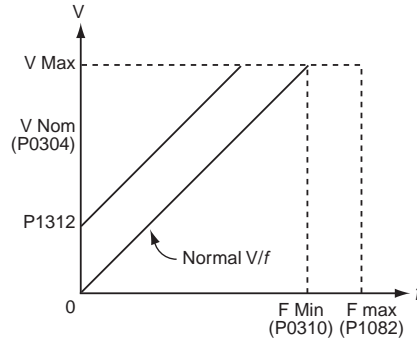
See note in P1310 for boost priorities.

<b>P1312</b>	<b>Starting boost</b>			<b>Level 3</b>
	Min: 0.0	Def: 0.0	Max: 250.00	
	Unit: %			

**Details:**

Applies a constant linear offset (in % relative to P0305, rated motor current) to an active V/f curve (either linear or quadratic) after an ON command and is active until the setpoint is reached for the first time. This is useful for starting loads with high inertia.

Setting the starting boost (P1312) too high causes the SED2 to limit the current, which in turn restricts the output frequency to below the setpoint frequency.



**Dependency:**

Setting in P0640 (motor overload factor %) limits boost.

**Note:**

Increasing the boost levels increases motor heating.

$$\sum \text{Boosts} \leq (300 / I_{mot}) * R_s$$

**Reference:**

See note in P1310 for boost priorities.

<b>P1335</b>	<b>Slip compensation</b>			<b>Level 3</b>
	Min: 0.0	Def: 0.0	Max: 600.0	
	Unit: %			

**Details:**

Dynamically adjusts SED2 output frequency so that motor speed is kept constantly independent of motor load.

**Value:**

P1335=0% : Slip compensation disabled.

P1335=100% : Uses the motor data and the motor model to add the rated slip frequency, rated motor speed, and rated motor current.

**Note:**

Gain adjustment enables fine-tuning of the actual motor speed.

100%=standard setting for warm stator.

---



---

<b>P1336</b>	<b>Slip limit</b>		<b>Level 3</b>
	Min: 0	Def: 250	Max: 600
	Unit: %		

---

**Details:**  
 Compensation slip limit in % relative to the rated motor slip, which is added to frequency setpoint.

**Dependency:**  
 Slip compensation (P1335) active.

---

<b>r1337</b>	<b>CO: V/f slip frequency</b>		<b>Level 3</b>
	Min: -	Def: -	Max: -
	Unit: %		

---

**Details:**  
 Displays actual compensated motor slip as %.

**Dependency:**  
 Slip compensation (P1335) active.

---

<b>P1800</b>	<b>Pulse frequency</b>		<b>Level 2</b>
	Min: 2	Def: Varies	Max: 16
	Unit: kHz		

---

**Details:**  
 Sets pulse frequency of power switches in SED2. The frequency can be changed in increments of 2 kHz.

Pulse frequencies > 4 kHz selected on 380V to 480V units reduce the maximum continuous motor current.

**Dependency:**  
 Minimum pulse frequency depends on P1082 (maximum frequency) and P0310 (rated motor frequency).

**Note:**  
 At 4 kHz, full output current is obtained up to 40 degrees C.

If silent operation is not absolutely necessary, lower pulse frequencies may be selected to reduce SED2 losses and radio-frequency emissions.

Under certain circumstances, the SED2 may reduce the switching frequency to provide protection against over-temperature.

---

<b>r1801</b>	<b>CO: Actual switching frequency</b>		<b>Level 3</b>
	Min: -	Def: -	Max: -
	Unit: kHz		

---

**Details:**  
 Actual pulse frequency of power switches in SED2.

**Note:**  
 Under certain conditions (such as SED2 overtemperature), this can differ from the values selected in P1800 (pulse frequency).

---



---

<b>P1820</b>	<b>Reverse output phase sequence</b>	<b>Level 3</b>
	Min: 0      Def: 0      Max: 1	
	Unit: -	

---

Changes direction of motor rotation without changing setpoint polarity.

**Enum:**

- 0 OFF
- 1 ON

**Dependency:**

If positive and negative revolution is enabled, frequency setpoint is directly used.  
If both positive and negative revolution are disabled, reference value is set to zero.

**Reference:**

See *P1000* (select frequency setpoint).

---



---

<b>P1910</b>	<b>Select motor data identification</b>	<b>Level 3</b>
	Min: 0      Def: 0      Max: 20	
	Unit: -	

---

**Details:**

Performs stator resistance measuring.

**Enum:**

- 0 Disabled
- 1 Identification of Rs with parameter change
- 2 Identification of Rs without parameter change
- 20 Set voltage vector

**Reference:**

See *P1001* (fixed frequency 1).

**Dependency:**

No measurement if motor data is incorrect.

P1910=1    Calculated value for stator resistance (P0350) is overwritten.  
P1910=2    Values already calculated are not overwritten.

**Note:**

Before selecting motor data identification, perform quick commissioning (P0010).

Once enabled (P1910=1), A0541 outputs a warning that the next ON command will initiate measurement of motor parameters.

When choosing the setting for measurement, observe the following:

- Enum selection 1, "with parameter change", means that the value is actually adopted as P0350 parameter setting and applied to the control as well as being shown in the read-only parameters below.
- Enum selection 2, "without parameter change", means that the value is only displayed, that is, shown for checking purposes in the read-only parameter r1912 (identified stator resistance). The value is not applied to the control.

---



---

<b>r1912[3]</b>	<b>Identified stator resistance</b>	<b>Level 3</b>
	Min: -      Def: -      Max: -	
	Unit: Ohm	

---

**Details:** Displays measured stator resistance value (line-to-line) in ohms.

**Index:**  
r1912[0]: U\_phase  
r1912[1]: V\_phase  
r1912[2]: W\_phase

**Note:** This value is measured using P1910=1 or 2; that is, identification of all parameters with/without change.

---

<b>P2000</b>	<b>Reference frequency</b>	<b>Level 2</b>
	Min: 1.00      Def: 50.00/      Max: 650.00	
	Unit: Hz              60.00	

---

**Details:** Full-scale frequency setting used by serial link (corresponds to 4000H), analog I/O and PID controller.

---

<b>P2001</b>	<b>Reference voltage</b>	<b>Level 3</b>
	Min: 10      Def: 1000      Max: 2000	
	Unit: V	

---

**Details:** Full-scale output voltage (that is 100%) used over serial link (corresponds to 4000H).

**Example:** P2001=230 specifies that 4000H received via USS denotes 230V.

---

<b>P2002</b>	<b>Reference current</b>	<b>Level 3</b>
	Min: 0.10      Def: Varies      Max: 10000.00	
	Unit: A	

---

**Details:** Full-scale output current used over serial link (corresponds to 4000H).

---

<b>r2004</b>	<b>Reference power</b>	<b>Level 3</b>
	Min: -      Def: -      Max: -	
	Unit: -	

---

**Details:** Full-scale reference power used over the serial link (corresponds to 4000H).

---



---

<b>P2009[2]</b>	<b>USS normalization</b>	<b>Level 3</b>
	Min: 0      Def: 0      Max: 1	
	Unit: -	

---

**Details:**

Enables special normalization for USS.

**Enum:**

- 0 Disabled
- 1 Enabled

**Index:**

P2009[0]: Serial interface COM link  
P2009[1]: Serial interface BOP link

**Note:**

If enabled, the main setpoint (word 2 in PZD) is not interpreted as 100%=4000H, but as "absolute" instead (such as 4000H=16384 means 163.84 Hz ).

---

<b>P2010[2]</b>	<b>USS baudrate</b>	<b>Level 3</b>
	Min: 4      Def: 6      Max: 12	
	Unit: -	

---

**Details:**

Sets baud rate for USS communication (not for use on other protocols).

**Enum:**

- 4 2400 baud
- 5 4800 baud
- 6 9600 baud
- 7 19200 baud
- 8 38400 baud
- 9 57600 baud
- 10 76800 baud
- 11 93750 baud
- 12 115200 baud

**Index:**

P2010[0]: Serial interface COM link  
P2010[1]: Serial interface BOP link

---

<b>P2011[2]</b>	<b>USS address</b>	<b>Level 3</b>
	Min: 0      Def: 0      Max: 31	
	Unit: -	

---

**Details:**

Sets unique address for SED2.

**Index:**

P2011[0]: Serial interface COM link  
P2011[1]: Serial interface BOP link

**Note:**

You can connect up to a further 30 SED2s via the serial link (that is, 31 SED2s in total) and control them with the USS serial bus protocol.



---



---

<b>P2014[2]</b>	<b>USS telegram off time</b>	<b>Level 3</b>
	Min: 0      Def: 0      Max: 65535	
	Unit: ms	

---

**Details:**

Defines a time T\_off after which a fault will be generated (F0070) if no telegram is received via the USS channels.

**Index:**

P2014[0]: Serial interface COM link  
P2014[1]: Serial interface BOP link

**Note:**

By default (time set to 0), no fault is generated (that is, watchdog disabled).

---



---

<b>P2040</b>	<b>CB telegram off time</b>	<b>Level 3</b>
	Min: 0      Def: 20      Max: 65535	
	Unit: ms	

---

**Details:**

Defines time after which a fault will be generated (F0070) if no telegram is received via the link (SOL).

**Dependency:**

Setting 0=watchdog disabled.

---



---

<b>P2041[5]</b>	<b>CB parameter</b>	<b>Level 3</b>
	Min: 0      Def: 0      Max: 65535	
	Unit: -	

---

**Details:**

Configures a CB (communication board/module).

**Index:**

P2041[0]: CB parameter 0  
P2041[1]: CB parameter 1  
P2041[2]: CB parameter 2  
P2041[3]: CB parameter 3  
P2041[4]: CB parameter 4

---



---

<b>r2050[8]</b>	<b>CO: PZD from CB</b>	<b>Level 3</b>
	Min: -      Def: -      Max: -	
	Unit: -	

---

**Details:**

Displays PZD received from CB (communication board/module).

**Index:**

r2050[0]: Received word 0  
r2050[1]: Received word 1  
r2050[2]: Received word 2  
r2050[3]: Received word 3  
r2050[4]: Received word 4  
r2050[5]: Received word 5  
r2050[6]: Received word 6  
r2050[7]: Received word 7

**Note:**

The control words can be viewed as bit parameters.

<b>P2051[8]</b>	<b>CI: PZD to CB</b>	<b>Level 3</b>
	<b>Min:</b> 0:0 <b>Def:</b> 52:0 <b>Max:</b> 4000:0	
	<b>Unit:</b> -	

**Details:**

Connects PZD to CB (communication board/module).

This parameter allows you to define the source of status words and actual values for the reply PZD.

**Index:**

- P2051[0]: Transmitted word 0
- P2051[1]: Transmitted word 1
- P2051[2]: Transmitted word 2
- P2051[3]: Transmitted word 3
- P2051[4]: Transmitted word 4
- P2051[5]: Transmitted word 5
- P2051[6]: Transmitted word 6
- P2051[7]: Transmitted word 7

**Settings:**

- Status word 1=52
- CO/BO: Actual status word 1 (see r0052)
- Actual value 1=21 SED2 output frequency (see r0021)

Other BiCo settings are possible.

<b>r2053[5]</b>	<b>CB identification</b>	<b>Level 3</b>
	<b>Min:</b> - <b>Def:</b> - <b>Max:</b> -	
	<b>Unit:</b> -	

**Details:**

Displays identification data of the CB (communication board/module). The different CB types are given in the Enum listing.

**Enum:**

- 0 No CB option board
- 1 PROFIBUS DP
- 2 DeviceNet
- 56 not defined

**Index:**

- r2053[0]: CB type (see *Enum* description)
- r2053[1]: Firmware version
- r2053[2]: Firmware version detail
- r2053[3]: Firmware date (year)
- r2053[4]: Firmware date (day/month)

---



---

<b>r2054[7]</b>	<b>CB diagnosis</b>	<b>Level 3</b>
	Min: -      Def: -      Max: -	
	Unit: -	

---

**Details:** Displays diagnostic information of (communication board/module).

**Index:**

- r2054[0]: CB diagnosis 0
- r2054[1]: CB diagnosis 1
- r2054[2]: CB diagnosis 2
- r2054[3]: CB diagnosis 3
- r2054[4]: CB diagnosis 4
- r2054[5]: CB diagnosis 5
- r2054[6]: CB diagnosis 6

---



---

<b>P2100[3]</b>	<b>Alarm number selection</b>	<b>Level 3</b>
	Min: 0      Def: 0      Max: 65535	
	Unit: -	

---

**Details:** Selects up to three faults or warnings for non-default reactions.

**Index:**

- P2100[0]: Fault Number 1
- P2100[1]: Fault Number 2
- P2100[2]: Fault Number 3

**Example:** If you want F0005 to perform an OFF3 instead of an OFF2, set P2100[0]=5, then select the desired reaction in P2101[0] (in this case, set P2101[0]=3).

**Note:** All fault codes have a default reaction to OFF2. Some fault codes caused by hardware trips (such as overcurrent) cannot be changed from the default reactions.

<b>P2101[3]</b>	<b>Stop reaction value</b>	<b>Level 3</b>
<b>Min:</b>	<b>0</b>	<b>Def: 0</b>
<b>Unit:</b>	<b>-</b>	<b>Max: 5</b>

**Details:**

Sets SED2 stop reaction values for fault selected by P2100 (alarm number stop reaction).

This indexed parameter specifies the special reaction to the faults/warnings defined in P2100 indexes 0 to 2.

**Enum:**

- 0 No reaction, no display
- 1 OFF1 stop reaction
- 2 OFF2 stop reaction
- 3 OFF3 stop reaction
- 4 No reaction warning only
- 5 Go to fixed frequency 15

**Index:**

P2101[0]: Stop reaction value 1  
 P2101[1]: Stop reaction value 2  
 P2101[2]: Stop reaction value 3

**Note:**

Settings 0 to 3 only are available for fault codes.  
 Settings 0 and 4 only are available for warnings.

Index 0 (P2101) refers to fault/warning in index 0 (P2100).

<b>r2110[4]</b>	<b>Warning number</b>	<b>Level 3</b>
<b>Min:</b>	<b>-</b>	<b>Def: -</b>
<b>Unit:</b>	<b>-</b>	<b>Max: -</b>

**Details:**

Displays warning information.

A maximum of two active warnings (indexes 0 and 1) and two historical warnings (indexes 2 and 3) may be viewed.

**Index:**

r2110[0]: Recent Warnings --, warning 1  
 r2110[1]: Recent Warnings --, warning 2  
 r2110[2]: Recent Warnings -1, warning 3  
 r2110[3]: Recent Warnings -1, warning 4

**Note:**

The keypad flashes while a warning is active. The LEDs indicate the warning status in this case.

If using an AOP, the display shows number and text of the active warning.

Indexes 0 and 1 are not stored.

---



---

<b>P2111</b>	<b>Total number of warnings</b>	<b>Level 3</b>
	Min: 0      Def: 0      Max: 4	
	Unit: -	

---

**Details:**  
 Displays number of warning (up to 4) since last reset.  
 Set to 0 to reset the warning history.

---



---

<b>r2114[2]</b>	<b>Run time counter</b>	<b>Level 3</b>
	Min: -      Def: -      Max: -	
	Unit: -	

---

**Details:**  
 Displays run time counter, which is the total time the SED2 has been powered up. Every time you cycle SED2 power, it will save the value and then restore it and the counter continues counting.  
 r2114[0]=high word  
 r2114[1]=low word  
 When AOP is not connected, the time in this parameter is used by r0948 to indicate when a fault has occurred.

**Index:**  
 r2114[0]: System Time, Seconds, Upper Word  
 r2114[1]: System Time, Seconds, Lower Word

**Reference:**  
 See r0948 (fault time).

---



---

<b>P2115[3]</b>	<b>AOP real time clock</b>	<b>Level 3</b>
	Min: 0      Def: 0      Max: 65535	
	Unit: -	

---

**Details:**  
 Displays AOP real time.

**Index:**  
 P2115[0]: Real Time, Seconds+Minutes  
 P2115[1]: Real Time, Hours+Days  
 P2115[2]: Real Time, Month+Year

**Reference:**  
 See r0948 (fault time).

---



---

<b>P2155</b>	<b>Threshold frequency f_1</b>	<b>Level 3</b>
	Min: 0.00      Def: 30.00      Max: 650.00	
	Unit: Hz	

---

**Details:**  
 Sets a threshold for comparing actual speed or frequency to threshold values f\_1.

This threshold controls status bits 04 and 05 in status word 2 (r0053) and bits 01 and 02 in r2197.

<b>P2156</b>	<b>Delay time of threshold freq f_1</b>	<b>Level 3</b>
Min: 0	Def: 10	Max: 10000
Unit: ms		

**Details:**

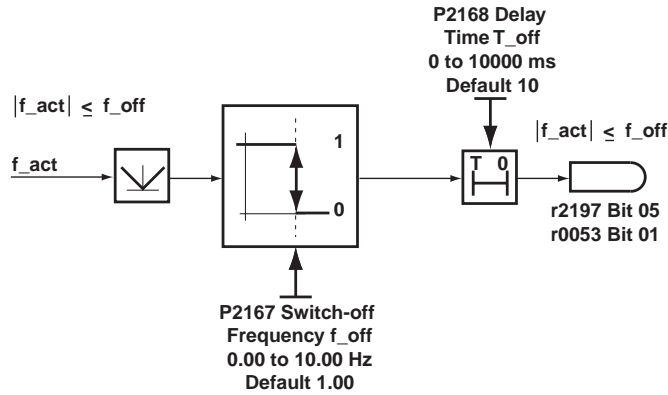
Sets delay time prior to threshold frequency f\_1 comparison (P2155).

<b>P2167</b>	<b>Switch-off frequency, f_off</b>	<b>Level 3</b>
Min: 0.00	Def: 1.00	Max: 10.00
Unit: Hz		

**Details:**

Sets frequency threshold below which SED2 switches off.

If the frequency falls below this threshold, bit 01 in status word 2 (r0053) and bit 05 is r2197 are set.



**Dependency:**

Effective only when OFF1 or OFF3 are active.

<b>P2168</b>	<b>Delay time <math>T_{off}</math></b>	<b>Level 3</b>
Min: 0	Def: 10	Max: 10000
Unit: ms		

**Details:**

Defines time for which the SED2 may operate below switch-off frequency (P2167) before switch off occurs.

**Note:**

See diagram in P2167 (switch-off frequency).

---



---

<b>P2181</b>	<b>Belt failure detection mode</b>	<b>Level 3</b>
	Min: 0      Def: 0      Max: 6	
	Unit: -	

---

**Details:**

Sets belt failure detection mode. This function allows detection of mechanical failure of the SED2 train, such as a broken belt. It can also detect conditions which cause an overload, such as a jam.

Two alternative modes are provided for detecting the failure.

- Belt failure detection without sensor: This is achieved by comparing the actual frequency/torque curve with a programmed envelope (see *P2182* to *P2190*). If the curve falls outside the envelope, a warning or trip is generated.
- Belt failure detection with sensor: This method uses a pulse train from a simple sensor on the driven machine that connected via digital input 5 (DI5) to the encoder circuit within the drive ASIC. The pulse train, normally detecting one pulse per revolution of the driven machine (can be adjusted via P0409), is converted to a frequency reference and compared with the actual VFD output frequency. The encoder needs to be connected to DI5 and is parameterized via P0409 and setting P0400=3. This maximum permissible frequency deviation between inverter frequency and frequency of the pulse train is set via P2191. If the deviation is exceeded, a warning or trip is generated. Note that parameters P2182 through P2190 have no effect in this mode.

**Enum:**

- 0 Belt failure detection disabled
- 1 Warn low torque/speed
- 2 Warn high torque/speed
- 3 Warn high/low torque/speed
- 4 Trip low torque/speed
- 5 Trip high torque/speed
- 6 Trip high/low torque/speed

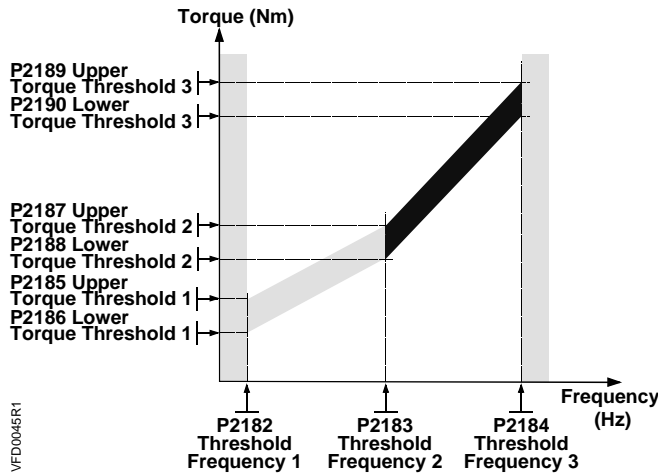
<b>P2182</b>	<b>Belt threshold frequency 1</b>	<b>Level 3</b>
Min:	0.00	Def: 5.00
Max:	650.00	
Unit:	Hz	

**Details:**

Sets a frequency threshold F1 for comparing actual torque to the torque envelope for belt failure detection.

The frequency torque envelope is defined by nine parameters (see the following diagram); three are frequency parameters (P2182 to P2184), and the other six define the low and high torque limits (P2185 to P2190) for each frequency.

In the following diagram, the allowed frequency/torque region is defined by the shaded area. When the torque falls outside the area shown, a trip or warning occurs (see P2181).



**Note:**

The torque is unlimited below P2182, and above P2184. Normally P2182 <= lower torque limit (P1521), and P2184 >= upper torque limit (P1520).



---



---

<b>P2183</b>	<b>Belt threshold frequency 2</b>	<b>Level 3</b>
	Min: 0.00    Def: 30.00    Max: 650.00	
	Unit: Hz	

---

**Details:**

Sets a threshold F2 for comparing actual torque to torque the envelope for belt failure detection.

**Reference:**

See P2182 (belt threshold frequency 1).

---



---

<b>P2184</b>	<b>Belt threshold frequency 3</b>	<b>Level 3</b>
	Min: 0.00    Def: 50.00    Max: 650.00	
	Unit: Hz	

---

**Details:**

Sets a threshold F3 for comparing actual torque to torque the envelope for belt failure detection.

**Reference:**

See P2182 (belt threshold frequency 1).

---



---

<b>P2185</b>	<b>Upper torque threshold 1</b>	<b>Level 3</b>
	Min: 0.0    Def: 99999.0    Max: 99999.0	
	Unit: Nm	

---

**Details:**

Upper limit threshold value 1 for comparing actual torque.

**Reference:**

See P2182 (belt threshold frequency 1).

---



---

<b>P2186</b>	<b>Lower torque threshold 1</b>	<b>Level 3</b>
	Min: 0.0    Def: 0.0    Max: 99999.0	
	Unit: Nm	

---

**Details:**

Lower limit threshold value 1 for comparing actual torque.

**Reference:**

See P2182 (belt threshold frequency 1).

---



---

<b>P2187</b>	<b>Upper torque threshold 2</b>	<b>Level 3</b>
	Min: 0.0    Def: 99999.0    Max: 99999.0	
	Unit: Nm	

---

**Details:**

Upper limit threshold value 2 for comparing actual torque.

**Reference:**

See P2182 (belt threshold frequency 1).

---



---

<b>P2188</b>	<b>Lower torque threshold 2</b>	<b>Level 3</b>
	Min: 0.0    Def: 0.0    Max: 99999.0	
	Unit: Nm	

---

**Details:**

Lower limit threshold value 2 for comparing actual torque.

**Reference:**

See P2182 (belt threshold frequency 1).

---



---

<b>P2189</b>	<b>Upper torque threshold 3</b>	<b>Level 3</b>
	Min: 0.0    Def: 99999.0    Max: 99999.0	
	Unit: Nm	

---

**Details:**

Upper limit threshold value 3 for comparing actual torque.

**Reference:**

See P2182 (belt threshold frequency 1).

---



---

<b>P2190</b>	<b>Lower torque threshold 3</b>	<b>Level 3</b>
	Min: 0.0    Def: 0.0    Max: 99999.0	
	Unit: Nm	

---

**Details:**

Lower limit threshold value 3 for comparing actual torque.

**Reference:**

See P2182 (belt threshold frequency 1).

---



---

<b>P2191</b>	<b>Belt failure speed tolerance</b>	<b>Level 3</b>
	Min: 0.00    Def: 3.00    Max: 20.00	
	Unit: Hz	

---

**Details:**

P2191 defines the allowed speed variation bandwidth between the SED2 frequency, and the speed reference from the pulse train. When the speed of the SED2 varies by more than this amount, a trip or warning occurs.

---



---

<b>P2192</b>	<b>Time delay for belt failure</b>	<b>Level 3</b>
	Min: 0    Def: 10    Max: 65	
	Unit: s	

---

**Details:**

P2192 defines a delay before a warning/trip becomes active. It is used to eliminate events caused by transient conditions. It is used for both methods of fault detection.

---



---

<b>r2197</b>	<b>CO/BO: Monitoring word 1</b>	<b>Level 3</b>
	<b>Min:</b> - <b>Def:</b> - <b>Max:</b> -	
	<b>Unit:</b> -	

---

**Details:**

Monitoring word 1 which indicates the state of monitor functions. Each bit represents one monitor function.

**Bitfields:**

Bit00	Actual frequency r0021 <=P1080	0 NO	1 YES
Bit01	Actual frequency r0021 <=P2155	0 NO	1 YES
Bit02	Actual frequency r0021 > P2155	0 NO	1 YES
Bit03	Actual frequency r0021 > zero	0 NO	1 YES
Bit04	Actual frequency r0021 >=setpoint	0 NO	1 YES
Bit05	Actual frequency r0021 <=P2167	0 NO	1 YES
Bit06	Actual frequency r0021 >=P1082	0 NO	1 YES
Bit07	Actual frequency r0021 ==setpoint	0 NO	1 YES
Bit08	Reserved		
Bit09	Actual unfiltered Vdc < 800V	0 NO	1 YES
Bit10	Actual unfiltered Vdc > 800V	0 NO	1 YES
Bit11	No load condition	0 NO	1 YES

---



---

<b>r2198</b>	<b>CO/BO: Monitoring word 2</b>	<b>Level 3</b>
	<b>Min:</b> - <b>Def:</b> - <b>Max:</b> -	
	<b>Unit:</b> -	

---

**Details:**

Monitoring word 2 which indicates the state of monitor functions. Each bit represents one monitor function.

**Bitfields:**

Bit00	Reserved		
Bit01	Reserved		
Bit02	Reserved		
Bit03	Reserved		
Bit04	n,set  < 3 Hz	0 NO	1 YES
Bit05	n, set > 0	0 NO	1 YES
Bit06	Motor blocked	0 NO	1 YES
Bit07	Motor pulled out	0 NO	1 YES
Bit08	Reserved		
Bit09	T,act  > T,rated and setpoint reached	0 NO	1 YES
Bit10	T,act  > T,rated	0 NO	1 YES
Bit11	Belt failure warning	0 NO	1 YES
Bit12	Belt failure trip	0 NO	1 YES

**Note:**

Bit 12 (belt failure trip) will only be reset after fault quitting and applying a new ON command.

T, rated is calculated from the machine data during quick commissioning.

---

---

<b>P2200[2]</b>	<b>BI: Enable PID controller</b>	<b>Level 2</b>
	Min: 0:0    Def: 0:0    Max: 4000:0	
	Unit: -	

---

**Details:**

PID mode allows you to enable/disable the PID controller. Setting P2200 to 1 enables the PID closed-loop controller.

**Index:**

P2200[0]: 1st Command data set (CDS)  
P2200[1]: 2nd Command data set (CDS)

**Dependency:**

Setting 1 does not disable the normal ramp times set in P1120 and P1121. However, the normal frequency setpoints are disabled. A PID setpoint change will be limited by P2257 and P2258 (PID setpoint ramp).

**Note:**

The PID setpoint source is selected using P2253. The PID setpoint and the PID feedback signal are interpreted as % values (not Hz). The output of the PID controller displays as % and is then normalized into Hz through P2000 (reference frequency) when PID is enabled.

In level 3, the PID controller source enable can also come from the digital inputs in settings 722.0 to 722.2 for DI1 to DI3 or from any other BiCo source.

The minimum and maximum motor frequencies (P1080 and P1082) as well as the skip frequencies (P1091 to P1094) remain active on the SED2 output. However, enabling skip frequencies with PID control can produce instabilities.

<b>P2201</b>	<b>Fixed PID setpoint 1</b>	<b>Level 3</b>
	Min: -200.00 Def: 0.00 Max: 200.00	
	Unit: %	

**Details:**

Defines fixed PID setpoint 1.

In addition, you can set any of the digital input parameters to fixed PID setpoint via the digital inputs (P0701 to P0706).

There are three selection modes for the PID fixed setpoint:

1. Direct selection (P0701=15 or P0702=15, etc.).  
In this mode of operation, 1 digital input selects one fixed PID setpoint. Enabled digital inputs will add to the selected frequencies even when programming for other operation.  
Clear all values in P2202 through P2215 that are not needed.
2. Direct selection + ON command (P0701=16 or P0702=16, etc.)  
Description as for selection mode 1, except that this type of selection issues an ON command concurrent with any setpoint selection.  
Enabled digital inputs will add to the selected frequencies even when programming for other operation.  
Clear all values in P2202 through P2215 that are not needed.
3. Binary Coded Decimal selection (P0701 to P0704=17)  
Using this method to select the fixed PID setpoint allows you to choose up to 16 different PID setpoints. The setpoints are selected according to the following table:  
Clear all values in P2202 through P2215 that are not needed.

**NOTE:** Enabled digital inputs will add to the selected frequencies even when programming for other operation.

		Digital Input 4	Digital Input 3	Digital Input 2	Digital Input 1
	<b>OFF</b>	Inactive	Inactive	Inactive	Inactive
<b>P2201</b>	FF1	Inactive	Inactive	Inactive	<b>Active</b>
<b>P2202</b>	FF2	Inactive	Inactive	<b>Active</b>	Inactive
<b>P2203</b>	FF3	Inactive	Inactive	<b>Active</b>	<b>Active</b>
<b>P2204</b>	FF4	Inactive	<b>Active</b>	Inactive	Inactive
<b>P2205</b>	FF5	Inactive	<b>Active</b>	Inactive	<b>Active</b>
<b>P2206</b>	FF6	Inactive	<b>Active</b>	<b>Active</b>	Inactive
<b>P2207</b>	FF7	Inactive	<b>Active</b>	<b>Active</b>	<b>Active</b>
<b>P2208</b>	FF8	<b>Active</b>	Inactive	Inactive	Inactive
<b>P2209</b>	FF9	<b>Active</b>	Inactive	Inactive	<b>Active</b>
<b>P2210</b>	FF10	<b>Active</b>	Inactive	<b>Active</b>	Inactive
<b>P2211</b>	FF11	<b>Active</b>	Inactive	<b>Active</b>	<b>Active</b>
<b>P2212</b>	FF12	<b>Active</b>	<b>Active</b>	Inactive	Inactive
<b>P2213</b>	FF13	<b>Active</b>	<b>Active</b>	Inactive	<b>Active</b>
<b>P2214</b>	FF14	<b>Active</b>	<b>Active</b>	<b>Active</b>	Inactive
<b>P2215</b>	FF15	<b>Active</b>	<b>Active</b>	<b>Active</b>	<b>Active</b>

**Dependency:**

P2000=1 is required in user access level 2 to enable setpoint source.

Selection mode 1:

An ON command is required to start motor (enable pulses).

Selection mode 2:

If inputs are programmed to PID fixed setpoints and selected together, the selected setpoints are summed.

**Note:**

You may mix different types of frequencies; however, remember that they will be summed if selected together.

P2201=100% corresponds to 4000 hex.

When using a value of 5, any PID setpoint needs to be in degrees C.

---

<b>P2202</b>	<b>Fixed PID setpoint 2</b>	<b>Level 3</b>
	Min: -200.00 Def: 10.00 Max: 200.00	
	Unit: %	

---

**Details:**

Defines fixed PID setpoint 2.

**Reference:**

See P2201 (fixed PID setpoint 1).

---

<b>P2203</b>	<b>Fixed PID setpoint 3</b>	<b>Level 3</b>
	Min: -200.00 Def: 20.00 Max: 200.00	
	Unit: %	

---

**Details:**

Defines fixed PID setpoint 3.

**Reference:**

See P2201 (fixed PID setpoint 1).

---

<b>P2204</b>	<b>Fixed PID setpoint 4</b>	<b>Level 3</b>
	Min: -200.00 Def: 30.00 Max: 200.00	
	Unit: %	

---

**Details:**

Defines fixed PID setpoint 4.

**Reference:**

See P2201 (fixed PID setpoint 1).

---

<b>P2205</b>	<b>Fixed PID setpoint 5</b>	<b>Level 3</b>
	Min: -200.00 Def: 40.00 Max: 200.00	
	Unit: %	

---

**Details:**

Defines fixed PID setpoint 5.

**Reference:**

See P2201 (fixed PID setpoint 1).

---



---

<b>P2206</b>	<b>Fixed PID setpoint 6</b>	<b>Level 3</b>
	Min: -200.00 Def: 50.00 Max: 200.00	
	Unit: %	

---

**Details:**  
 Defines fixed PID setpoint 6.

**Reference:**  
 See P2201 (fixed PID setpoint 1).

---



---

<b>P2207</b>	<b>Fixed PID setpoint 7</b>	<b>Level 3</b>
	Min: -200.00 Def: 60.00 Max: 200.00	
	Unit: %	

---

**Details:**  
 Defines fixed PID setpoint 7.

**Reference:**  
 See P2201 (fixed PID setpoint 1).

---



---

<b>P2208</b>	<b>Fixed PID setpoint 8</b>	<b>Level 3</b>
	Min: -200.00 Def: 70.00 Max: 200.00	
	Unit: %	

---

**Details:**  
 Defines fixed PID setpoint 8.

**Reference:**  
 See P2201 (fixed PID setpoint 1).

---



---

<b>P2209</b>	<b>Fixed PID setpoint 9</b>	<b>Level 3</b>
	Min: -200.00 Def: 80.00 Max: 200.00	
	Unit: %	

---

**Details:**  
 Defines fixed PID setpoint 9.

**Reference:**  
 See P2201 (fixed PID setpoint 1).

---



---

<b>P2210</b>	<b>Fixed PID setpoint 10</b>	<b>Level 3</b>
	Min: -200.00 Def: 90.00 Max: 200.00	
	Unit: %	

---

**Details:**  
 Defines fixed PID setpoint 10.

**Reference:**  
 See P2201 (fixed PID setpoint 1).

---



---

<b>P2211</b>	<b>Fixed PID setpoint 11</b>	<b>Level 3</b>
	Min: -200.00 Def: 100.00 Max: 200.00	
	Unit: %	

---

**Details:**  
 Defines fixed PID setpoint 11.

**Reference:**  
 See P2201 (fixed PID setpoint 1).

---



---

<b>P2212</b>	<b>Fixed PID setpoint 12</b>	<b>Level 3</b>
	Min: -200.00 Def: 110.00 Max: 200.00	
	Unit: %	

---

**Details:**  
Defines fixed PID setpoint 12.

**Reference:**  
See P2201 (fixed PID setpoint 1).

---



---

<b>P2213</b>	<b>Fixed PID setpoint 13</b>	<b>Level 3</b>
	Min: -200.00 Def: 120.00 Max: 200.00	
	Unit: %	

---

**Details:**  
Defines fixed PID setpoint 13.

**Reference:**  
See P2201 (fixed PID setpoint 1).

---



---

<b>P2214</b>	<b>Fixed PID setpoint 14</b>	<b>Level 3</b>
	Min: -200.00 Def: 130.00 Max: 200.00	
	Unit: %	

---

**Details:**  
Defines fixed PID setpoint 14.

**Reference:**  
See P2201 (fixed PID setpoint 1).

---



---

<b>P2215</b>	<b>Fixed PID setpoint 15</b>	<b>Level 3</b>
	Min: -200.00 Def: 130.00 Max: 200.00	
	Unit: %	

---

**Details:**  
Defines fixed PID setpoint 15.

**Reference:**  
See P2201 (fixed PID setpoint 1).

---



---

<b>P2216</b>	<b>Fixed PID setpoint mode - Bit 0</b>	<b>Level 3</b>
	Min: 1 Def: 1 Max: 3	
	Unit: -	

---

**Details:**  
Defines fixed PID setpoint mode for selection Bit 0.

- Enum:**
- 1 Direct selection
  - 2 Direct selection + ON command
  - 3 Binary coded selection + ON command



---



---

**P2217**      **Fixed PID setpoint mode - Bit 1**      **Level 3**  
 Min: 1      Def: 1      Max: 3  
 Unit: -

---

**Details:**  
 Defines fixed PID setpoint mode for selection Bit 1.

**Enum:**

- 1 Direct selection
- 2 Direct selection + ON command
- 3 Binary coded selection + ON command

---



---

**P2218**      **Fixed PID setpoint mode - Bit 2**      **Level 3**  
 Min: 1      Def: 1      Max: 3  
 Unit: -

---

**Details:**  
 Defines fixed PID setpoint mode for selection Bit 2.

**Enum:**

- 1 Direct selection
- 2 Direct selection + ON command
- 3 Binary coded selection + ON command

---



---

**P2219**      **Fixed PID setpoint mode - Bit 3**      **Level 3**  
 Min: 1      Def: 1      Max: 3  
 Unit: -

---

**Details:**  
 Defines fixed PID setpoint mode for selection Bit 3.

**Enum:**

- 1 Direct selection
- 2 Direct selection + ON command
- 3 Binary coded selection + ON command

---



---

**P2220[2]**      **BI: Fixed PID setpoint select Bit 0**      **Level 3**  
 Min: 0:0      Def: 0:0      Max: 4000:0  
 Unit: -

---

**Details:**  
 Defines command source of fixed PID setpoint selection Bit 0.

**Index:**  
 P2220[0]: 1st Command data set (CDS)  
 P2220[1]: 2nd Command data set (CDS)

**Settings:**

- 722.0= Digital input 1 (requires P0701 to be set to 99, BiCo)
- 722.1= Digital input 2 (requires P0702 to be set to 99, BiCo)
- 722.2= Digital input 3 (requires P0703 to be set to 99, BiCo)
- 722.3= Digital input 4 (requires P0704 to be set to 99, BiCo)
- 722.4= Digital input 5 (requires P0705 to be set to 99, BiCo)
- 722.5= Digital input 6 (requires P0706 to be set to 99, BiCo)
- 722.6= Digital input 7 (via analog input 1, requires P0707 to be set to 99)
- 722.7= Digital input 8 (via analog input 2, requires P0708 to be set to 99)

---



---

<b>P2221[2]</b>	<b>BI: Fixed PID setpoint select Bit 1</b>	<b>Level 3</b>
	Min: 0:0    Def: 0:0    Max: 4000:0	
	Unit: -	

---

**Details:**  
 Defines command source of fixed PID setpoint selection Bit 1.

**Index:**  
 P2221[0]: 1st Command data set (CDS)  
 P2221[1]: 2nd Command data set (CDS)

**Settings:**  
 722.0=Digital input 1 (requires P0701 to be set to 99, BiCo)  
 722.1=Digital input 2 (requires P0702 to be set to 99, BiCo)  
 722.2=Digital input 3 (requires P0703 to be set to 99, BiCo)  
 722.3=Digital input 4 (requires P0704 to be set to 99, BiCo)  
 722.4=Digital input 5 (requires P0705 to be set to 99, BiCo)  
 722.5=Digital input 6 (requires P0706 to be set to 99, BiCo)

---



---

<b>P2222[2]</b>	<b>BI: Fixed PID setpoint select Bit 2</b>	<b>Level 3</b>
	Min: 0:0    Def: 0:0    Max: 4000:0	
	Unit: -	

---

**Details:**  
 Defines command source of fixed PID setpoint selection Bit 2.

**Index:**  
 P2222[0]: 1st Command data set (CDS)  
 P2222[1]: 2nd Command data set (CDS)

**Settings:**  
 722.0=Digital input 1 (requires P0701 to be set to 99, BiCo)  
 722.1=Digital input 2 (requires P0702 to be set to 99, BiCo)  
 722.2=Digital input 3 (requires P0703 to be set to 99, BiCo)  
 722.3=Digital input 4 (requires P0704 to be set to 99, BiCo)  
 722.4=Digital input 5 (requires P0705 to be set to 99, BiCo)  
 722.5=Digital input 6 (requires P0706 to be set to 99, BiCo)

---



---

<b>P2223[2]</b>	<b>BI: Fixed PID setpoint select Bit 3</b>	<b>Level 3</b>
	Min: 0:0    Def: 722:3    Max: 4000:0	
	Unit: -	

---

**Details:**  
 Defines command source of fixed PID setpoint selection Bit 3.

**Index:**  
 P2223[0]: 1st Command data set (CDS)  
 P2223[1]: 2nd Command data set (CDS)

**Settings:**  
 722.0=Digital input 1 (requires P0701 to be set to 99, BiCo)  
 722.1=Digital input 2 (requires P0702 to be set to 99, BiCo)  
 722.2=Digital input 3 (requires P0703 to be set to 99, BiCo)  
 722.3=Digital input 4 (requires P0704 to be set to 99, BiCo)  
 722.4=Digital input 5 (requires P0705 to be set to 99, BiCo)  
 722.5=Digital input 6 (requires P0706 to be set to 99, BiCo)

---



---

<b>r2224</b>	<b>CO: Actual fixed PID setpoint</b>	<b>Level 3</b>
	Min: -      Def: -      Max: -	
	Unit: %	

---

**Details:**  
Displays total output of PID fixed setpoint selection.

**Note:**  
r2224=100% corresponds to 4000 hex.

---



---

<b>P2225</b>	<b>Fixed PID setpoint mode - Bit 4</b>	<b>Level 3</b>
	Min: 1      Def: 1      Max: 2	
	Unit: -	

---

**Details:**  
Defines fixed PID setpoint mode for selection Bit 4.

**Enum:**

- 1 Direct selection
- 2 Direct selection + ON command

---



---

<b>P2226[2]</b>	<b>BI: Fixed PID setpoint select Bit 4</b>	<b>Level 3</b>
	Min: 0:0      Def: 722:4      Max: 4000:0	
	Unit: -	

---

**Details:**  
Defines command source of fixed PID setpoint selection Bit 4.

**Index:**  
P2226[0]: 1st Command data set (CDS)  
P2226[1]: 2nd Command data set (CDS)

**Settings:**  
722.0=Digital input 1 (requires P0701 to be set to 99, BiCo)  
722.1=Digital input 2 (requires P0702 to be set to 99, BiCo)  
722.2=Digital input 3 (requires P0703 to be set to 99, BiCo)  
722.3=Digital input 4 (requires P0704 to be set to 99, BiCo)  
722.4=Digital input 5 (requires P0705 to be set to 99, BiCo)  
722.5=Digital input 6 (requires P0706 to be set to 99, BiCo)

---



---

<b>P2227</b>	<b>Fixed PID setpoint mode - Bit 5</b>	<b>Level 3</b>
	Min: 1      Def: 1      Max: 2	
	Unit: -	

---

**Details:**  
Defines fixed PID setpoint mode for selection Bit 5.

**Enum:**

- 1 Direct selection
- 2 Direct selection + ON command

<b>P2228[2]</b>	<b>BI: Fixed PID setpoint select Bit 5</b>	<b>Level 3</b>
	<b>Min:</b> 0:0 <b>Def:</b> 722:5 <b>Max:</b> 4000:0	
	<b>Unit:</b> -	

**Details:**  
 Defines command source of fixed PID setpoint selection Bit 5

**Index:**  
 P2228[0]: 1st Command data set (CDS)  
 P2228[1]: 2nd Command data set (CDS)

**Settings:**  
 722.0=Digital input 1 (requires P0701 to be set to 99, BiCo)  
 722.1=Digital input 2 (requires P0702 to be set to 99, BiCo)  
 722.2=Digital input 3 (requires P0703 to be set to 99, BiCo)  
 722.3=Digital input 4 (requires P0704 to be set to 99, BiCo)  
 722.4=Digital input 5 (requires P0705 to be set to 99, BiCo)  
 722.5=Digital input 6 (requires P0706 to be set to 99, BiCo)

<b>P2231</b>	<b>Setpoint memory of PID-MOP</b>	<b>Level 3</b>
	<b>Min:</b> 0 <b>Def:</b> 1 <b>Max:</b> 1	
	<b>Unit:</b> -	

**Details:**  
 Determines setpoint memory for PID-MOP (motor potentiometer).

**Enum:**  
 0 PID-MOP setpoint will not be stored  
 1 PID-MOP setpoint will be stored (P2240 is updated)

**Dependency:**  
 If P2231=0, setpoint returns to value set in P2240 (setpoint of PID-MOP) after an OFF command.  
  
 If P2231=1, active setpoint is 'remembered' and P2240 updated with current value.

**Reference:**  
 See P2240 (setpoint of PID-MOP)

<b>P2232</b>	<b>Inhibit rev. direct. of PID-MOP</b>	<b>Level 3</b>
	<b>Min:</b> 0 <b>Def:</b> 1 <b>Max:</b> 1	
	<b>Unit:</b> -	

**Details:**  
 Inhibits reverse setpoint selection when PID-MOP (motor potentiometer) is chosen either as a main setpoint or an additional setpoint (using P1000)

**Enum:**  
 0 Reserve direction is allowed  
 1 Reserve direction inhibited

**Note:**  
 P2232=0 enables a change of motor direction using the motor potentiometer setpoint (increase/decrease frequency either by using digital inputs or motor potentiometer up/down buttons).

<b>P2240</b>	<b>Setpoint of PID-MOP</b>	<b>Level 3</b>
	Min: -200.00 Def: 10.00 Max: 200.00	
	Unit: %	

**Details:**

Setpoint of the motor potentiometer.

Allows you to set a digital PID setpoint in %.

**Settings:**

- 722.0= Digital input 1 (requires P0701 to be set to 99, BiCo)
- 722.1= Digital input 2 (requires P0702 to be set to 99, BiCo)
- 722.2= Digital input 3 (requires P0703 to be set to 99, BiCo)
- 722.3= Digital input 4 (requires P0704 to be set to 99, BiCo)
- 722.4= Digital input 5 (requires P0705 to be set to 99, BiCo)
- 722.5= Digital input 6 (requires P0706 to be set to 99, BiCo)
- 722.6= Digital input 7 (via analog input 1, requires P0707 to be set to 99)
- 722.7= Digital input 8 (via analog input 2, requires P0708 to be set to 99)

19.D=Keypad UP cursor

**Dependency:**

To change setpoint:

1. Use UP/DOWN key on operator panel
2. Set P0702/P0703=13/14 (function of digital inputs 2 and 3).

**Note:**

P2240=100% corresponds to 4000 hex

<b>r2250</b>	<b>CO: Output setpoint of PID-MOP</b>	<b>Level 3</b>
	Min: - Def: - Max: -	
	Unit: %	

Displays output setpoint of motor potentiometer in %.

**Note:**

r2250=100% corresponds to 4000 hex

<b>P2253[2]</b>	<b>CI: PID setpoint</b>	<b>Level 2</b>
	Min: 0:0 Def: 2250:0 Max: 4000:0	
	Unit: -	

**Details:**

Defines setpoint source for PID setpoint input.

This parameter allows you to select the source of the PID setpoint. Normally, a digital setpoint is selected either using a fixed PID setpoint or an active setpoint.

**Index:**

- P2253[0]: 1st Command data set (CDS)
- P2253[1]: 2nd Command data set (CDS)

**Settings:**

- 755=Analog input 1
- 2224=Fixed PI setpoint (see P2201 to P2207)
- 2250=Active PI setpoint (see P2240)

---



---

<b>P2254[2]</b>	<b>CI: PID trim source</b>	<b>Level 3</b>
	Min: 0:0    Def: 0:0    Max: 4000:0	
	Unit: -	

---

**Details:**

Selects trim source for PID setpoint. This signal is multiplied by the trim gain and added to the PID setpoint.

**Index:**

P2254[0]: 1st Command data set (CDS)  
P2254[1]: 2nd Command data set (CDS)

**Settings:**

755=Analog input 1  
2224=Fixed PI setpoint (see P2201 to P2207)  
2250=Active PI setpoint (see P2240)

---



---

<b>P2261</b>	<b>PID setpoint filter timeconstant</b>	<b>Level 3</b>
	Min: 0.00    Def: 0.00    Max: 60.00	
	Unit: s	

---

**Details:**

Sets a time constant for smoothing the PID setpoint.

**Note:**

0=No smoothing

---



---

<b>r2262</b>	<b>CO: Filtered PID setpoint after RFG</b>	<b>Level 3</b>
	Min: -    Def: -    Max: -	
	Unit: %	

---

**Details:**

Displays filtered PID setpoint in % after PID-RFG (ramp function generator).

**Note:**

r2262=100% corresponds to 4000 hex

---



---

<b>P2264[2]</b>	<b>CI: PID feedback</b>	<b>Level 2</b>
	Min: 0:0    Def: 755:1    Max: 4000:0	
	Unit: -	

---

**Details:**

Selects the source of the PID feedback signal.

**Index:**

P2264[0]: 1st Command data set (CDS)  
P2264[1]: 2nd Command data set (CDS)

**Settings:**

755=Analog input 1 setpoint  
2224=Fixed PID setpoint  
2250=Output setpoint of PID-MOP (PID-motor potentiometer)

**Note:**

When analog input is selected, offset and gain can be implemented using parameters P0756 to P0760 (analog input scaling).

---



---

<b>P2265</b>	<b>PID feedback filter timeconstant</b>	<b>Level 3</b>
	Min: 0.00    Def: 0.00    Max: 60.00	
	Unit: s	

---

**Details:**  
 Defines time constant for PID feedback filter.

---



---

<b>P2267</b>	<b>Max. value for PID feedback</b>	<b>Level 3</b>
	Min: -200.00    Def: 150.00    Max: 200.00	
	Unit: %	

---

**Details:**  
 Sets the upper limit for the value of the feedback signal in %.

**Note:**  
 P2267=100% corresponds to 4000 hex

When PID is enabled (P2200=1) and the signal rises above this value, the SED2 will trip with F0222 .

---



---

<b>P2268</b>	<b>Min. value for PID feedback</b>	<b>Level 3</b>
	Min: -200.00    Def: -50.00    Max: 200.00	
	Unit: %	

---

**Details:**  
 Sets lower limit for value of feedback signal in %.

**Note:**  
 P2268=100% corresponds to 4000 hex.

When PID is enabled (P2200=1) and the signal rises above this value, the SED2 will trip with F0221.

---



---

<b>P2269</b>	<b>Gain applied to PID feedback</b>	<b>Level 3</b>
	Min: 0.00    Def: 100.00    Max: 500.00	
	Unit: -	

---

**Details:**  
 Allows you to scale the PID feedback as a percentage value %.

A gain of 100.0% means that feedback signal has not changed from its default value.

---



---

<b>P2270</b>	<b>PID feedback function selector</b>	<b>Level 3</b>
	Min: 0    Def: 0    Max: 3	
	Unit: -	

---

**Details:**  
 Applies mathematical functions to the PID feedback signal, allowing multiplication of the result by P2269 (gain applied to PID feedback).

- Enum:**
- 0 Disabled
  - 1 Square root (root(x))
  - 2 Square (x\*x)
  - 3 Cube (x\*x\*x)

<b>P2271</b>	<b>PID transducer type</b>	<b>Level 3</b>
	Min: 0      Def: 0      Max: 1	
	Unit:-	

**Details:** Allows you to select the transducer type for the PID feedback signal.

**Enum:**

- 0 Disabled
- 1 Inversion of PID feedback signal

**Value:**

- 0 : (default) If the feedback signal is less than the PID setpoint, the PID controller will increase motor speed.
- 1 : If the feedback signal is greater than the PID setpoint, the PID controller will reduce motor speed.

**Note:**

It is essential that you select the correct transducer type.

If you are unsure whether 0 or 1 is applicable, you can determine the correct type by doing the following:

1. Disable the PID function (P2200=0).
2. Increase the motor frequency while measuring the feedback signal.
3. If the feedback signal increases with an increase in motor frequency, the PID transducer type should be 0.
4. If the feedback signal decreases with an increase in motor frequency, the PID transducer type should be 1.

<b>r2272</b>	<b>CO: PID scaled feedback</b>	<b>Level 3</b>
	Min: -      Def: -      Max: -	
	Unit: %	

**Details:** Displays PID scaled feedback signal in %.

**Note:** r2272=100% corresponds to 4000 hex.

<b>r2273</b>	<b>CO: PID error</b>	<b>Level 3</b>
	Min: -      Def: -      Max: -	
	Unit: %	

**Details:** Displays PID error (difference) signal between setpoint and feedback signals in %.

**Note:** r2273=100% corresponds to 4000 hex.

<b>P2274</b>	<b>PID derivative time</b>	<b>Level 2</b>
	Min: 0      Def: 0      Max: 65535	
	Unit: s	

Sets PID derivative time.



---

<b>P2279</b>	<b>PID Neutral Zone</b>			<b>Level 3</b>
	Min: 0.00	Def: 0.00	Max: 100.00	
Unit:	%			

---

**Details:**  
 Defines PID neutral zone.

---

<b>P2280</b>	<b>PID proportional gain</b>			<b>Level 2</b>
	Min: 0.000	Def: 1.200	Max: 65.000	
Unit:	-			

---

**Details:**  
 Allows you to set proportional gain for PID controller.  
 The PID controller is implemented using the standard model.  
 For best results, enable both P and I terms.

**Dependency:**  
 If P term=0, I term acts on the square of the error signal. If I term=0, PID controller acts as a P or PD controller respectively.

**Note:**  
 If the system is prone to sudden step changes in the feedback signal, P term should normally be set to a small value (0.5) with a faster I term for optimum performance.  
 The D term (P2274) multiplies the difference between the present and previous feedback signal thus accelerating the controller reaction to an error that suddenly appears.  
 The D term should be used carefully, since it can cause the controller output to fluctuate as every change in the feedback signal is amplified by the controller derivative action.

---

<b>P2285</b>	<b>PID integral time</b>			<b>Level 2</b>
	Min: 0	Def: 30	Max: 65535	
Unit:	s			

---

**Details:**  
 Sets integral time constant for PID controller.

**Note:**  
 In case of P2285=0, the I-term is disabled resulting in a PD or P controller respectively.

**Reference:**  
 See P2280 (PID proportional gain).

---



---

<b>P2291</b>	<b>PID output upper limit</b>	<b>Level 2</b>
	<b>Min:</b> 0.00 <b>Def:</b> 100.00 <b>Max:</b> 100.00	
	<b>Unit:</b> %	

---

**Details:**

Sets upper limit for PID controller output in %.

**Dependency:**

If F max (P1082) is greater than P2000 (reference frequency), either P2000 or P2291 (PID output upper limit) must be changed to achieve F max.

**Note:**

P2291=100% corresponds to 4000 hex (as defined by P2000, reference frequency).

---



---

<b>P2292</b>	<b>PID output lower limit</b>	<b>Level 2</b>
	<b>Min:</b> 0.00 <b>Def:</b> 0.00 <b>Max:</b> 100.00	
	<b>Unit:</b> %	

---

**Details:**

Sets lower limit for the PID controller output in %.

**Dependency:**

A negative value allows bipolar operation of PID controller.

**Note:**

P2292=100% corresponds to 4000 hex.

---



---

<b>P2293</b>	<b>Ramp-up/down time of PID limit</b>	<b>Level 3</b>
	<b>Min:</b> 0.00 <b>Def:</b> 0.00 <b>Max:</b> 100.00	
	<b>Unit:</b> s	

---

**Details:**

Sets maximum ramp rate on output of PID.

When PI is enabled, the output limits are ramped up from 0 to the limits set in P2291 (PID output upper limit) and P2292 (PID output lower limit). Limits prevent large step changes appearing on the output of the PID when the SED2 is started. Once the limits have been reached, the PID controller output is instantaneous.

These ramp times are used whenever a RUN command is issued.

**Note:**

If an OFF1 or OFF3 are issued, the SED2 output frequency ramps down as set in P1121 (ramp-down time) or P1135 (OFF3 ramp-down time).

---



---

<b>r2294</b>	<b>CO: Actual PID output</b>	<b>Level 3</b>
	<b>Min:</b> - <b>Def:</b> - <b>Max:</b> -	
	<b>Unit:</b> %	

---

**Details:**

Displays PID output in %.

**Note:**

r2294=100% corresponds to 4000 hex

---



---

<b>P2303[2]</b>	<b>CI: PID output offset</b>	<b>Level 2</b>
	Min: 0.0      Def: 0.0      Max: 4000.0	
	Unit: -	

---

**Details:**

Selects the source of the PID output offset signal.

**Index:**

P2303[0]: 1st Command data set (CDS)  
P2303[1]: 2nd Command data set (CDS)

**Settings:**

755=Analog input 1 setpoint  
2224=Fixed PID setpoint  
2250=Output setpoint of PID-MOP (motor potentiometer)

**Note:**

The offset correction P2303 only works when the integral gain of the PID controller is zero (P2285=0). On selection of an analog input, offset and gain can be implemented using parameters P0756 to P0760 (analog input scaling).

---

<b>P2304</b>	<b>PID opening time</b>	<b>Level 2</b>
	Min: 0      Def: 0      Max: 65535	
	Unit: s	

---

**Details:**

Sets actuator opening time constant for PID controller.

**Reference:**

See P2305 (PID closing time).

---

<b>P2305</b>	<b>PID closing time</b>	<b>Level 2</b>
	Min: 0      Def: 0.00      Max: 65535	
	Unit: s	

---

**Details:**

Sets actuator closing time constant for PID controller.

**Reference:**

See P2304 (PID opening time).

---

<b>P2306</b>	<b>PID Action</b>	<b>Level 2</b>
	Min: 0      Def: 1      Max: 1	
	Unit: -	

---

**Details:**

Direct=0=increasing plant output causes increasing controller output  
Indirect=1=increasing plant output causes decreasing controller output.

**Enum:**

0 Direct acting  
1 Reverse acting

**P2370 Motor staging stop mode Level 3**  
 Min: 0 Def: 0 Max: 1  
 Unit: -

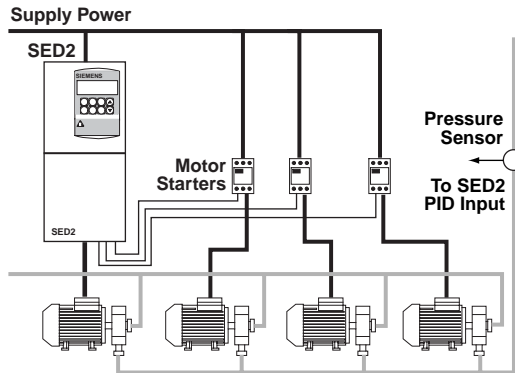
**Details:**  
 Selects stop mode for external motors when motor staging is in use.

- Enum:**
- 0 Normal stop
  - 1 Sequence stop

**P2371 External motor configuration Level 3**  
 Min: 0 Def: 0 Max: 8  
 Unit: -

- Settings:**
- 0 Motor staging disabled
  - 1 M1=1X, M2= , M3 =
  - 2 M1=1X, M2=1X, M3 =
  - 3 M1=1X, M2=2X, M3 =
  - 4 M1=1X, M2=1X, M3=1X
  - 5 M1=1X, M2=1X, M3=2X
  - 6 M1=1X, M2=2X, M3=3X
  - 7 M1=1X, M2=1X, M3=3X
  - 8 M1=1X, M2=2X, M3=3X

**Details:**  
 Motor staging allows the control of up to three additional staged pumps or fans (M1 through M3), based on a PID control system. The complete system consists of one pump controlled by the SED2 with up to three further pumps/fans controlled from contactors or motor starters. The contactors or motor starter are controlled by outputs from the SED2. The following diagram shows a typical pumping system. A similar system could be set up using fans and air ducts, instead of pumps and pipes.



By default the motor starts are controlled from digital relay outputs (DO).

The following text uses these terms:

- MV - Variable speed (SED2 controlled motor)
- M1 - Motor switched with relay 1 (DO1)
- M2 - Motor switched with relay 2 (DO2)
- M3 - Motor switched with relay 3 (DO3)

Staging: The process of starting one of the fixed speed motors.  
 De-staging: The process of stopping one of the fixed speed motors.

When the SED2 is running at maximum frequency, and the PID feedback indicates that a higher speed is required, the SED2 switches on (stages) one of the relay controlled motors M1 to M3. At the same time, to keep the controlled variable as constant as possible, the SED2 must ramp down to minimum frequency. Therefore, during the staging process, PID control must be suspended.

When the SED2 is running at minimum frequency, and the PID feedback indicates that a lower speed is required, the SED2 switches off (de-stages) one of the relay controlled motors M1 to M3. In this case, the SED2 must ramp from minimum frequency to maximum frequency outside of PID control.

<b>P2372</b>	<b>Enable motor cycling</b>			<b>Level 3</b>
	Min: 0	Def: 0	Max: 1	
	Unit: -			

**Details:**

Enables motor cycling for the motor staging feature.

When enabled, the motor selected for staging/destaging is based on the hours run counter P2380. When staging, the motor with the least hours is switched on. When destaging, the motor with most hours is switched off.

If staged motors are different sizes the the choice of motor is first based on required motor size, and then if there is still a choice, on hours run.

**Enum:**

- 0 Disabled
- 1 Enabled

<b>P2373</b>	<b>Motor staging hysteresis</b>			<b>Level 3</b>
	Min: 0.0	Def: 20.0	Max: 200.0	
	Unit: %			

**Details:**

P2373 as a percentage of PID setpoint that PID error P2273 must be exceeded before staging delay starts.

**Note:**

The value of this parameter must always be smaller than delay override lockout timer P2377.

---



---

<b>P2374</b>	<b>Motor staging delay</b>	<b>Level 3</b>
	Min: 0      Def: 30      Max: 650	
	Unit: s	

---

**Details:**

Time that PID error P2273 must exceed motor staging hysteresis P2373 before staging occurs.

---



---

<b>P2375</b>	<b>Motor destaging delay</b>	<b>Level 3</b>
	Min: 0      Def: 30      Max: 650	
	Unit: s	

---

**Details:**

Time that PID error P2273 must exceed motor staging hysteresis P2373 before destaging occurs.

---



---

<b>P2376</b>	<b>Delay override</b>	<b>Level 3</b>
	Min: 0.0      Def: 25.0      Max: 200.0	
	Unit: %	

---

**Details:**

P2376 as a percentage of PID setpoint. When the PID error P2273 exceeds this value, a motor is staged/destaged irrespective of the delay timers.

---



---

<b>P2377</b>	<b>Delay override lockout timer</b>	<b>Level 3</b>
	Min: 0      Def: 30      Max: 650	
	Unit: s	

---

**Details:**

Time for which delay override is prevented after a motor has been staged or destaged.

This prevents a second staging event immediately after a first, being caused by the transient conditions after the first staging event.

**Note:**

The value of this parameter must always be larger than staging hysteresis P2373.

---



---

<b>P2378</b>	<b>Staging frequency f, %fMax</b>	<b>Level 3</b>
	Min: 0.0      Def: 50.0      Max: 120.0	
	Unit: %	

---

**Details:**

The frequency as a percentage of maximum frequency. During a (de) staging event, as the SED2 ramps from maximum to minimum frequency (or vice versa) this is the frequency at which the relay (DO) is switched.

---

---

<b>r2379</b>	<b>CO/BO: Status of motor staging</b>	<b>Level 3</b>
	Min: -      Def: -      Max: -	
	Unit: -	

---

**Details:**

Output word from the motor staging feature that allows external connections to be made.

**Bitfields:**

Bit00	Start motor 1	0	YES	1	NO
Bit01	Start motor 2	0	YES	1	NO
Bit02	Start motor 3	0	YES	1	NO

---

<b>P2380[3]</b>	<b>Motor hours run</b>	<b>Level 3</b>
	Min: 0      Def: 0      Max: 100000	
	Unit: h	

---

**Details:**

Displays hours run for external motors. To reset the running hours, set the value to zero; any other value is ignored.

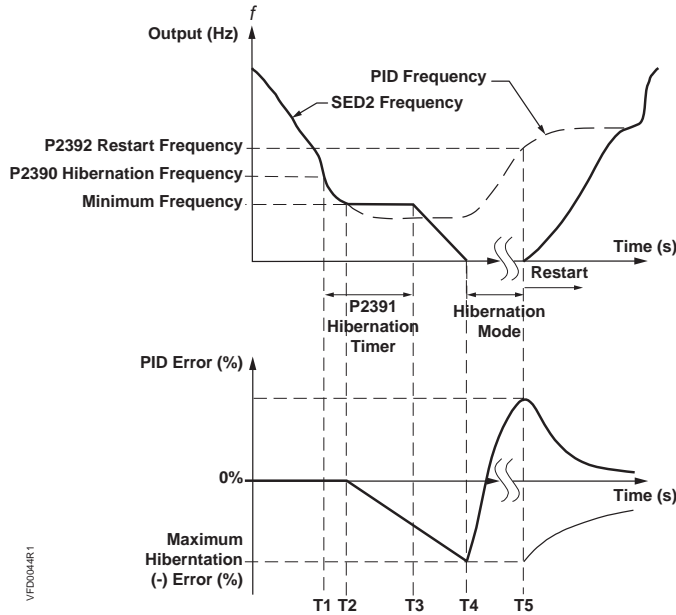
**Index:**

P2380[0]: Motor 1 hrs run  
P2380[1]: Motor 2 hrs run  
P2380[2]: Motor 3 hrs run

<b>P2390</b>	<b>Hibernation setpoint</b>	<b>Level 3</b>
Min: -200.00	Def: 0	Max: 200.00
Unit: %		

**Details:**

When the SED2 under PID control drops below hibernation setpoint, the hibernation timer P2391 starts. When the hibernation timer has expired, the SED2 is ramped down to stop and enters hibernation mode.



**Note:**

If hibernation setpoint is 0, the hibernation function is disabled.

Hibernation mode is an added feature to enhance PID functionality and switches of the motor when the SED2 is running at low setpoint. Note that this is an independent function from staging, although it can be used in conjunction with staging.

<b>P2391</b>	<b>Hibernation timer</b>	<b>Level 3</b>
Min: 0	Def: 0	Max: 254
Unit: s		

**Details:**

When the hibernation timer P2391 has expired, the SED2 is ramped down to stop and enters hibernation mode (P2390).



---



---

<b>P2392</b>	<b>Restart PID error</b>	<b>Level 3</b>
	Min: -200.00 Def: 0.00 Max: 200.00	
	Unit: %	

---

**Details:**

While in hibernation mode, the PID controller continues to generate the error P2273. Once this reaches the restart point P2392, the SED2 immediately ramps to the setpoint calculated by the PID controller (P2390).

Once the SED2 has left hibernation mode, it is not possible to go back into hibernation mode until the SED2 output setpoint reaches the restart setpoint.

---

<b>P3900</b>	<b>End of quick commissioning</b>	<b>Level 1</b>
	Min: 0 Def: 0 Max: 3	
	Unit: -	

---

**Details:**

Performs calculations necessary for optimized motor operation.

After completion of calculation, P3900 and P0010 (commissioning parameter filter) are automatically reset to their original value of 0.

**Enum:**

- 0 No quick commissioning
- 1 End quick commissioning with factory reset (drive only)
- 2 End quick commissioning
- 3 End quick commissioning only for motor data (drive with bypass)

**Dependency:**

Changeable only when P0010=1 (quick commissioning).

**Note:**

When P3900=1, only the parameter settings carried out via the commissioning menu "quick commissioning", are retained; all other parameter changes, including the I/O settings, are lost. Motor calculations are also performed.

When P3900=2, only those parameters which depend on the parameters in the commissioning menu "quick commissioning" (P0010=1) are calculated. The I/O settings are also reset to default and the motor calculations are also performed.

When P3900=3, only the motor and controller calculations are performed. Exiting quick commissioning with this setting saves time (for example, if only motor rating plate data have been changed). Recommended for drive with bypass applications.

P3900 calculates a variety of motor parameters and overwrites previous values, including P2000 (reference frequency) and P2002 (reference current).

**Siemens Building Technologies, Inc.**

1000 Deerfield Parkway  
Buffalo Grove, IL 60089-4513  
Tel: +1 847-215-1000  
Fax +1 847-215-1093

**Siemens Building Technologies, Ltd.**

2 Kenview Blvd.  
Brampton, Ontario  
Canada L6T 5E4  
Tel: +1 905-799-9937

**Siemens Building Technologies AG**

Gubelstrasse 22  
CH-6301 Zug  
Tel: +41 41 724 24 24  
Fax +41 41 724 35 22

**Siemens Building Technologies Ltd.**

16/F, Laford Centre  
838 Lai Chi Kok Road  
Kowloon, Hong Kong  
Tel: +852 2917 5700  
Fax +852 2904 1126

**[www.sbt.siemens.com](http://www.sbt.siemens.com)**