

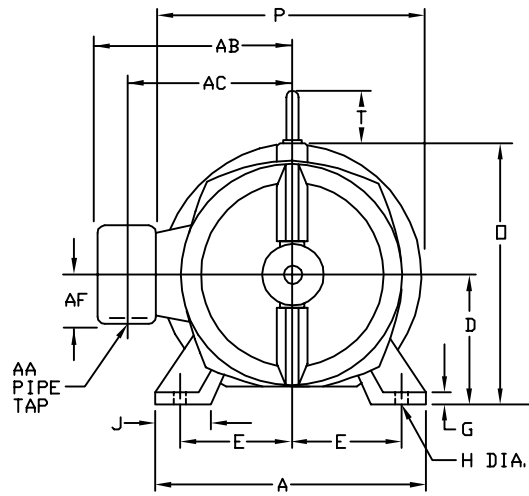
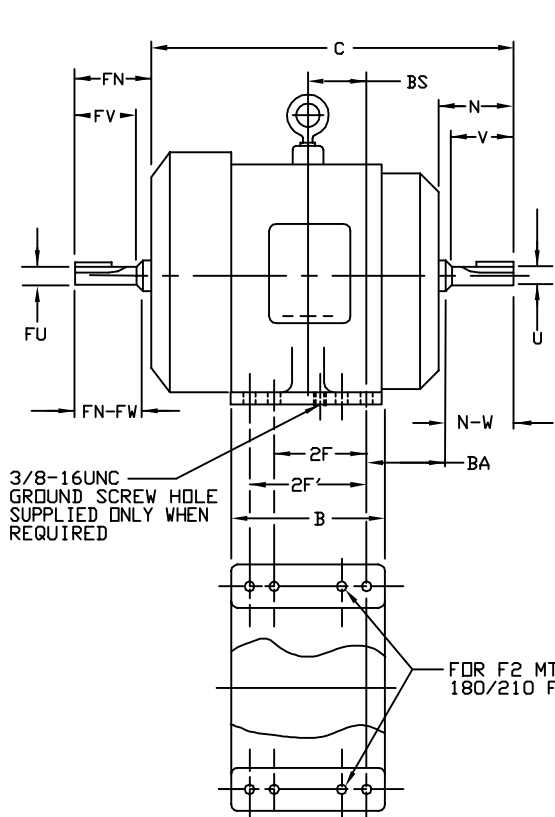
DUTY MASTER ALTERNATING CURRENT MOTORS

SQUIRREL-CAGE INDUCTION
X/T CONSTRUCTION

ENCLOSURE: TOTALLY ENCLOSED
MOUNTING: FOOT

COOLING: FAN COOLED

FRAMES 182T THRU 215T



* STANDARD FRAMES HAVE 8 HOLES FOR DUAL MOUNTING AND F-2 CONVERSION
** LONG FRAMES HAVE 6 HOLES FOR DUAL MOUNTING. NOT SUITABLE FOR F-2 CONVERSION

DIMENSIONS ARE IN INCHES; SEE SHT 2 FOR DIMENSIONS IN MILLIMETERS.

FRAME	A	D(3)	E	G	H	J	O	P	T	CAST IRON TERMINAL BOX				ONE SIZE LARGER CAST IRON TERMINAL BOX (5)				BA
										AA	AB	AC	AF	AA	AB	AC	AF	
182T-L184T	9.00	4.50	3.75	.44	.44	1.75	9.88	9.50	2.00	1	8.44	6.69	2.12	1-1/4	8.94	6.94	2.50	2.75
213T-L215T	10.50	5.25	4.25	.44	.44	2.00	11.25	11.00	2.00	1	9.31	7.56	2.12	1-1/4	9.81	7.81	2.50	3.50

FRAME SIZE	FOOT MTG PROV	C	BS	B	2F	2F'	B. E. SHAFT AND KEY					FRONT END SHAFT AND KEY					WEIGHT LBS. (4)		
							N	N-W	UK(2)	V	SG.	LGTH	FN	FN-FW	FUK(2)	FV		SG.	LGTH
180T	182T *	15.62	2.75	7.00	4.50	---	3.00	2.75	1.1250	2.50	.250	1.75	3.12	2.25	.8750	2.00	.188	1.38	86
	184T *				---	5.50													
L180T	L182T **	17.12	3.50	8.50	4.50	---	3.00	2.75	1.1250	2.50	.250	1.75	3.12	2.25	.8750	2.00	.188	1.38	116
	L184T **				---	5.50													
210T	213T *	19.31	3.50	8.50	5.50	---	3.62	3.38	1.3750	3.12	.312	2.38	3.75	2.75	1.1250	2.50	.250	1.75	135
	215T *				---	7.00													
L210T	L213T **	20.19	3.94	9.12	5.50	---	3.62	3.38	1.3750	3.12	.312	2.38	3.75	2.75	1.1250	2.50	.250	1.75	175
	L215T **				---	7.00													

- (1) SPECIAL DIMENSIONS ON THIS LINE
- (2) "U" AND "FU" MAY VARY +.0000, -.0005
- (3) "D" MAY VARY +.00, -.03
- (4) MOTOR WEIGHTS MAY VARY BY 15% FOR NON-STANDARD RATINGS.
- (5) ONE SIZE LARGER TERMINAL BOX SUPPLIED ONLY WHEN SPECIFIED.

STANDARD DOUBLE SHAFT SUPPLIED ONLY WHEN SPECIFIED.
TERMINAL BOX LOCATED ON OPPOSITE SIDE WHEN F-2, W-1, W-4, W-5, W-7 OR C-1 MOUNTING IS SPECIFIED.
MAXIMUM PERMISSIBLE SHAFT RUNOUT WHEN MEASURED AT END OF STANDARD SHAFT EXTENSION IS .002 T. I. R.
IF MOUNTING CLEARANCE DETAILS ARE REQUIRED, CONSULT FACTORY.

FRAME- _____ TYPE- _____ CERTIFIED FOR- _____
 ORDER- _____ ITEM _____ HP- _____ RPM- _____ PH- _____ HZ- _____ VOLTS _____
 RELIANCE SALES ORDER- _____ APPROVED BY- _____ DATE- _____



CLEVELAND, OHIO 44117 U. S. A.

DR. BY K. ENGLISH
CK. BY R. L. BROWN
APP. BY G. KILBORN
DATE 12-18-85

DIMENSION SHEET
SHEET 1 OF 2

613051-501
ISSUE DATE: SEPTEMBER 2, 1995

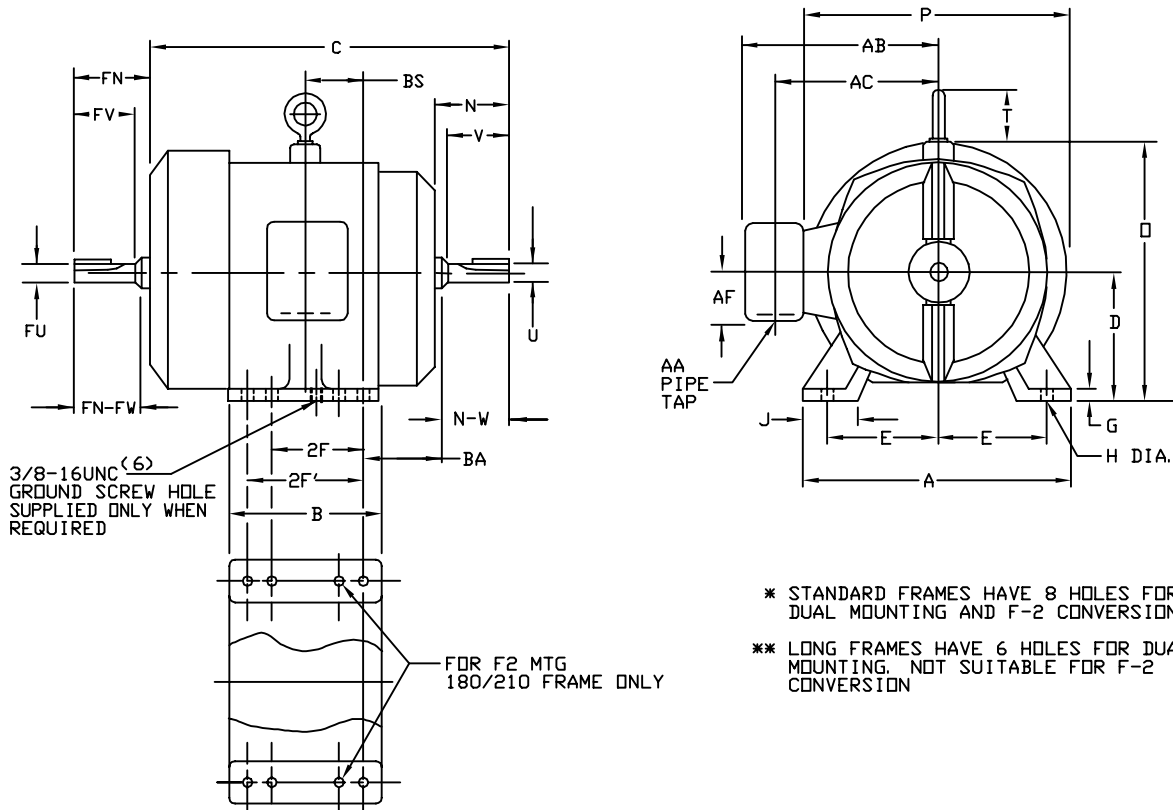
DUTY MASTER ALTERNATING CURRENT MOTORS

SQUIRREL-CAGE INDUCTION
X/T CONSTRUCTION

ENCLOSURE: TOTALLY ENCLOSED
MOUNTING: FOOT

COOLING: FAN COOLED

FRAMES 182T THRU 215T



- * STANDARD FRAMES HAVE 8 HOLES FOR DUAL MOUNTING AND F-2 CONVERSION
- ** LONG FRAMES HAVE 6 HOLES FOR DUAL MOUNTING. NOT SUITABLE FOR F-2 CONVERSION

DIMENSIONS ARE IN MILLIMETERS; SEE SH1 FOR DIMENSIONS IN INCHES.

FRAME	A	D(3)	E	G	H	J	O	P	T	CAST IRON TERMINAL BOX				ONE SIZE LARGER CAST IRON TERMINAL BOX (5)				BA
										AA(6)	AB	AC	AF	AA(6)	AB	AC	AF	
182T-184T	228.6	114.3	95.3	11.2	11.2	44.5	251.0	241.3	50.8	1	214.4	169.9	53.8	1-1/4	227.1	176.3	63.5	69.9
213T-215T	266.7	133.4	108.0	11.2	11.2	50.8	285.8	279.4	50.8	1	236.5	192.0	53.8	1-1/4	249.2	198.4	63.5	88.9

FRAME SIZE	FOOT MTG PROV	C	BS	B	2F	2F'	B. E. SHAFT AND KEY					FRONT END SHAFT AND KEY					WEIGHT KGS. (4)		
							N	N-W	U(2)	V	SQ.	LGTH	FN	FN-FW	FU(2)	FV		SQ.	LGTH
180T	182T *	396.7	69.9	177.8	114.3	---	76.2	69.9	28.575	63.5	6.35	44.5	79.2	57.2	22.225	50.8	4.78	35.1	39
	184T *				139.7	---													
L180T	L182T **	434.8	88.9	215.9	114.3	---	76.2	69.9	28.575	63.5	6.35	44.5	79.2	57.2	22.225	50.8	4.78	35.1	53
	L184T **				139.7	---													
210T	213T *	490.5	88.9	215.9	139.7	---	91.9	85.9	34.925	79.2	7.92	60.5	95.3	69.9	28.575	63.5	6.35	44.5	61
	215T *				177.8	---													
L210T	L213T **	512.8	100.1	231.6	139.7	---	91.9	85.9	34.925	79.2	7.92	60.5	95.3	69.9	28.575	63.5	6.35	44.5	79
	L215T **				177.8	---													

- (1) SPECIAL DIMENSIONS ON THIS LINE
 - (2) 'U' AND 'FU' MAY VARY +.0000, -.0127 mm
 - (3) 'D' MAY VARY +.00, -.76 mm
 - (4) MOTOR WEIGHTS MAY VARY BY 15% FOR NON-STANDARD RATINGS.
 - (5) ONE SIZE LARGER TERMINAL BOX SUPPLIED ONLY WHEN SPECIFIED.
 - (6) DIMENSIONS ARE IN INCHES.
- STANDARD DOUBLE SHAFT SUPPLIED ONLY WHEN SPECIFIED.
- TERMINAL BOX LOCATED ON OPPOSITE SIDE WHEN F-2, W-1, W-4, W-5, W-7 OR C-1 MOUNTING IS SPECIFIED.
- MAXIMUM PERMISSIBLE SHAFT RUNDOUT WHEN MEASURED AT END OF STANDARD SHAFT EXTENSION IS .050 mm T. I. R.
- IF MOUNTING CLEARANCE DETAILS ARE REQUIRED, CONSULT FACTORY.

FRAME-_____ TYPE-_____ CERTIFIED FOR-_____
 ORDER-_____ ITEM _____ HP-_____ RPM-_____ PH-_____ HZ-_____ VOLTS _____
 RELIANCE SALES ORDER-_____ APPROVED BY-_____ DATE-_____



CLEVELAND, OHIO 44117 U. S. A.

DR. BY K. ENGLISH
 CK. BY R. L. BROWN
 APP. BY G. KILBORN
 DATE 12-18-85

DIMENSION
SHEET
SHEET 2 OF 2

613051-501

ISSUE DATE: SEPTEMBER 2, 1995