



Form 04584462
Edition 1
November 2004

Air Impact Wrench

2945 and 2950

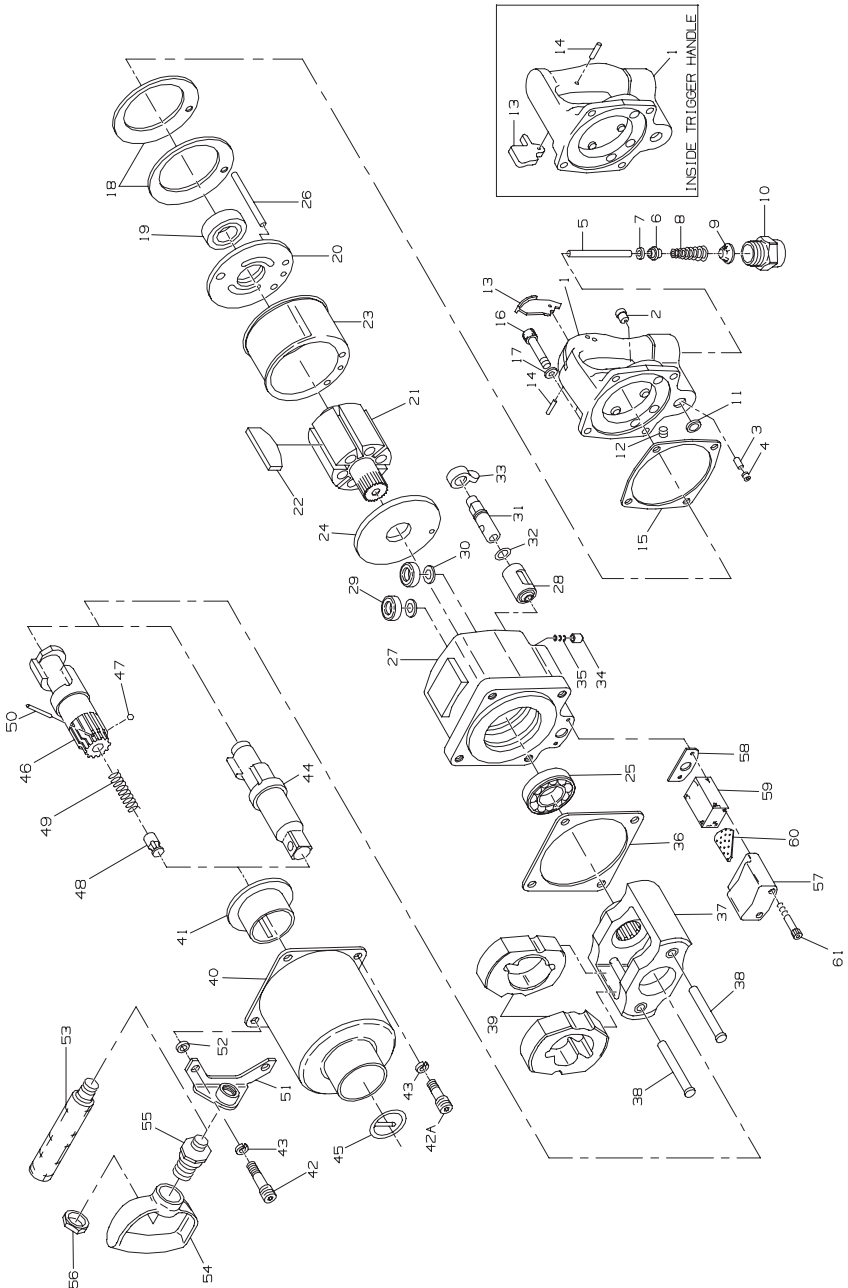
Parts Information



Save These Instructions

IR Ingersoll-Rand®

2945 and 2950 Air Impact Wrench Exploded Diagram



(Dwg. TPA1335)

2945 and 2950 Air Impact Wrench Parts List

Item	Part Description	Part Number	Item	Part Description	Part Number
1	Throttle Handle Assembly with Outside Trigger with Inside Trigger	2950-A1 2950-A92	39	Hammer (2) for 2945 for 2950	2945-724 2950-724
2	Grease Fitting	13OSR-188	40	Hammer Case Assembly for 2945A7, 2945B7 and 2945B1 for 2945A7-EU and 2945B7-EU for 2950A7 and 2950B7 for 2950A7-EU and 2950B7-EU	2945-A627 2945-EU-A627 2950-A727 2950-EU-A727
† 3	Oiler Felt	R2-75			
4	Oiler Adjusting Screw	R2-71			
5	Throttle Valve Plunger	2950-302			
6	Throttle Valve Assembly	2934-A50			
† 7	Throttle Valve Face	2934-159			
8	Throttle Valve Spring	834-51	++ 41	Hammer Case Bushing	2950-541
† 9	Air Strainer Screen	434-61	*	Hammer Case Label for models ending in -EU for all other models	EU-99 WARNING-2-99
10	Straight Inlet	845-565			
† 11	Reverse Valve Seal	R00BR-210	42	Hammer Case Cap Screw (3/8"-16 thread x 1-3/4") Socket Head (Long) (2)	2945-638
# 12	Oil Chamber Plug (2)	ROH-377			
13	Trigger		42A	Hammer Case Cap Screw (3/8"-16 x 1-1/2") Socket Head (Short) (2)	844-638
	Outside-type	844-78			
	Inside-type	834-93A	43	Lock Washer (4)	845-58
14	Trigger Pin for Outside Trigger for Inside Trigger	F02-15	44	1-1/2" Square Drive Anvil for 2945 for 2950	2945-726
		534-265			2950-726
† 15	Handle Gasket	850-283	45	Socket Retaining Ring (for use with 1-1/2" Square Drive Anvil)	RR10020S
16	Handle Cap Screw (5/16"-18 thread x 1-1/4" long Socket Head) (4)	834-638			
17	Handle Cap Screw Washer (4)	588-140	46	Spine Drive Anvil Assembly (No. 5 Spine) for 2945B1 for 2950B1	2945-A526A VW-1030
18	Motor Clamp Washer (2)	MR-207			
† 19	Rear Rotor Bearing	834-24	47	Socket Retaining Ball	D04-280
20	Rear End Plate	2950-12	48	Retaining Ball Plunger	845-230
21	Rotor for 2945 for 2950	2945-53 2950-53	49	Plunger Spring	2940-231
			50	Plunger Retaining Pin	845-128
			51	Dead Handle Bracket	845-364
			52	Dead Handle Bracket Spacer	845-140
† 22	Vane Packet (set of 6 Vanes) for 2945 for 2950	2945-42-6 2950-42-6	53	Dead Handle (interchanges with Side Spade Handle Assembly)	834-48
23	Cylinder for 2945 for 2950	2945-3	54	Side Spade Handle Assembly (interchanges with Dead Handle) Side Spade Handle	534-A41 T15-41
		2950-3			
24	Front End Plate	2950-11	55	Spade Handle Stud	534-448
† 25	Front Rotor Bearing	TA-22A	56	Stud Nut	107-73A
26	Cylinder Dowel for 2945 for 2950	844-98 2950-98		Exhaust Deflector Kit	2934-K23
			57	Exhaust Deflector	2934-23A
			† 58	Gasket	2934-223
27	Motor Housing Assembly for 2945 for 2950	2945-A40 2950-A40	† 59	Silencer	2940P-311
			60	Exhaust Baffle	2934-124
			61	Exhaust Deflector Screw (2)	R43F-104
			*	Nameplate	
† 28	Reverse Valve Bushing	2934-330S	*	for 2945A7, 2945B7 and 2945B1 for 2945A7-EU and 2945B7-EU for 2950A7 and 2950B7 for 2950-EU and 2950B7-EU	2945-301 2945-EU-301 2950-301 2950-EU-301
† 29	Air Port Gasket (2)	R44H-210A			
† 30	Gasket Retainer (2)	2940-200			
31	Reverse Valve Assembly	2934-A329			
† 32	Reverse Valve Bushing Seal	85H-167			
33	Reverse Lever	2934-658A			
† 34	Reverse Lock Plunger	4U-663B	*	Nameplate Screw (4)	C32-302
† 35	Plunger Spring	4U-664	*	Wooden Box	2945-96
† 36	Hammer Case Gasket	845-36	*	Grease Gun	R000A2-228
37	Hammer Frame Assembly for 2945 for 2950	2945-A703	*	Tune-up Kit for 2945 (includes illustrated parts 3, 7, 9, 11, 15, 19, 22, 25, 29 [2], 30 [2], 32, 34, 35, 36, 58 and 59) for 2950 (includes illustrated parts 3, 7, 9, 11, 15, 19, 22, 25, 29 [2] 30 [2], 32, 34, 35 and 36)	2945-TK2
		2950-A703			
38	Hammer Pin (2) for 2945 for 2950	2945-704 2950-704			2950-TK2

* Not illustrated.

† Indicates a Tune-up Kit part.

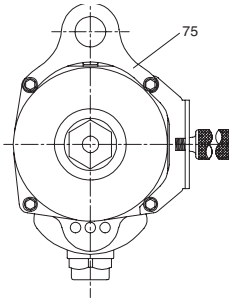
• To keep downtime to a minimum, it is desirable to have on hand certain repair parts. We recommend that you stock one (pair or set) of each part indicated by a bullet (•) for every four tools in service.

++ The Hammer Case Bushing is a press fit in the Hammer Case. A .005" oversize Bushing is available and should be used if the nose of the Case has stretched

to the extent that a new standard size Bushing fits loosely. The Part No. for a .005" oversize Bushing is 2950-541-S.

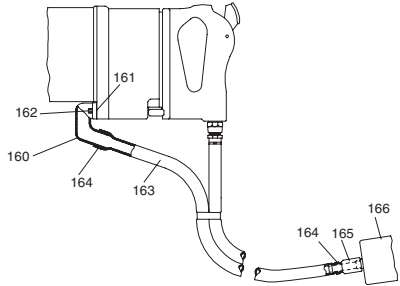
Some tools have a single oil chamber plug. For these tools, order one Oil Chamber Plug, Part Number R2-227.

HORIZONTAL HANGER



(Dwg. TPD316-1)

PIPED-AWAY EXHAUST KIT AND MUFFLER



(Dwg. TPA559)

Item	Part Description	Part Number
	Horizontal Hanger Kit	2950-K366
75	Horizontal Hanger	845-366
*	Horizontal Hanger Spacer	845-140

* Not illustrated.

Item	Part Description	Part Number
	Piped Away Exhaust Kit with Muffler	2940-KM184
	without Muffler	2940-K184
160	Exhaust Adapter	2940-167
161	Exhaust Adapter Gasket	2940-30
162	Adapter Cap Screw (No. 10-24 thread x 5/8" Socket Head (2))	AL-638
163	Exhaust Hose	R21-230
164	Hose Clamp (2)	R21-31
165	Muffler Connector	R21-185
166	Muffler	R21-674

Parts and Maintenance

When the life of the tool has expired, it is recommended that the tool be disassembled, degreased and parts be separated by material so that they can be recycled.

Tool repair and maintenance should only be carried out by an authorized Service Center. Refer all communications to the nearest **Ingersoll-Rand** Office or Distributor.

Related Documentation

For additional information refer to:
 Air Impact Wrench Product Safety Information Manual Form 04580916,
 Air Impact Wrench Product Information Manual Form 04584835,
 Air Impact Wrench Maintenance Information Manual Form 04584306.

Manuals can be downloaded from www.irttools.com.



www.irttools.com

© 2004 Ingersoll-Rand Company