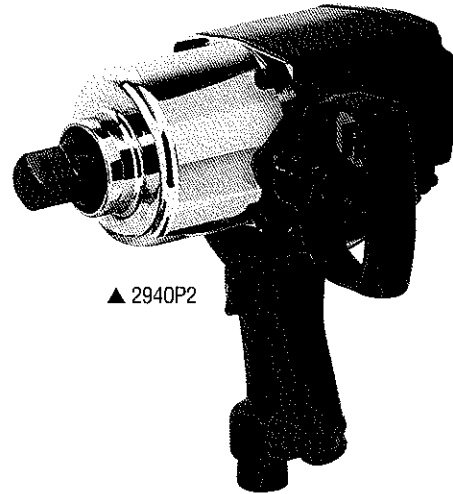


● 2940B1



▲ 2940P2

Features

- Choice of 1" square drive or No. 5 spline
- Plated ductile iron hammer case and durable epoxy-coated motor housing and handle
- Twin-hammers mean more power per pound
- Two-piece motor housing

Standard Equipment Series 2940

- 1/2" NPT inlet
- Plated cast iron hammer case
- Integral muffler
- Built-in lubricator
- Straight dead handle (A & B models only)
- Spade style dead handle (P2 Model only)
- Integral power regulator (P2 Model only)

Equipment at Extra Price Series 2940

- Piped-away exhaust muffler kit No. 2940-KM184 (A & B models only)
- Horizontal hanger consisting of
 - One horizontal hanger No. 2934-366
 - Two hanger spacers No. 2934-140
- *1" drive x 6" (152 mm) extended anvil No. 2940-314-6

Model	Drive Description	Handle	Free Speed rpm	Impacts per minute	Maximum Torque		Recomm. Torque Range		Weight, less socket		Length, less socket		Side to Center Distance in. mm	Size Hose Recomm. CFM in. mm	
					ft.-lb.	Nm	ft.-lb.	Nm	lb.	kg	in.	mm			
2940A1**	No. 5 spline	Grip O.T.	5000	850	2000	2710	1000-1600	1360-2170	22	9.98	12 1/4	311	2 3/16	56	3/4 19 58
2940A2	1" square	Grip O.T.	5000	850	2000	2710	1000-1600	1360-2170	22	9.98	12 1/4	311	2 3/16	56	3/4 19 58
● 2940B1**	No. 5 spline	Grip I.T.	5000	850	2000	2710	1000-1600	1360-2170	22	9.98	12 1/4	311	2 3/16	56	3/4 19 58
2940B2	1" square	Grip I.T.	5000	850	2000	2710	1000-1600	1360-2170	22	9.98	12 1/4	311	2 3/16	56	3/4 19 58
▲ 2940P2	1" square	Pistol	4000	810	2000	2710	1000-1600	1360-2170	22 7/8	10.4	9 7/8	251	2 3/16	56	3/4 19 58

*Approx. 15% torque reduction.

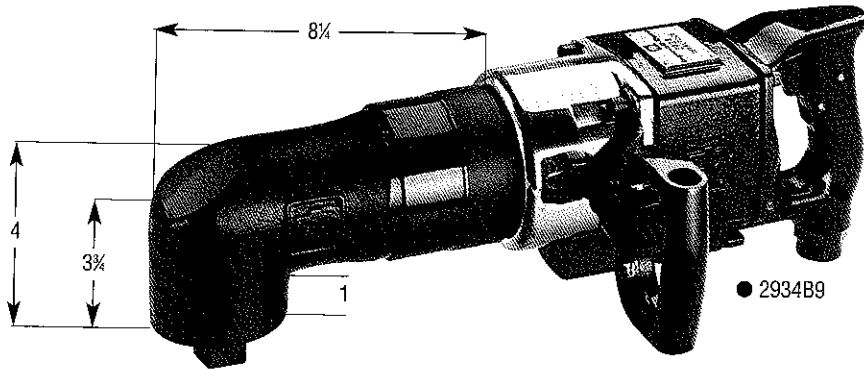
**No. 5 spline 1 3/8" OD 14 teeth.

Performance figures are at 90 psi (620 kPa) air pressure

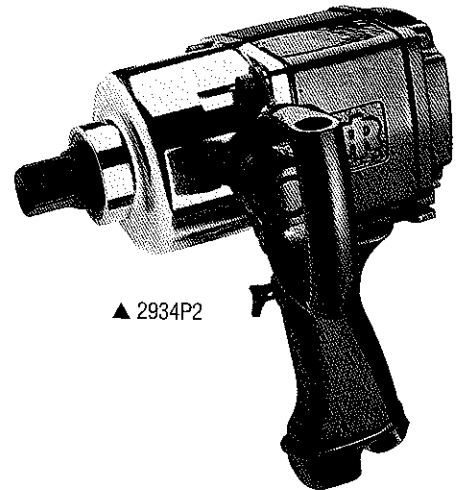
O.T. Outside Trigger

I.T. Inside Trigger

1" Class Impacttools



● 2934B9



▲ 2934P2

Features

- 1" square drive or No. 5 spline models
- Plated ductile iron hammer case and durable epoxy-coated motor housing and handle
- Twin-hammers mean more power per pound
- Pressure-feed impact mechanism lubrication
- Two-piece motor housing

Standard Equipment Series 2934

- 1/2" NPT inlet
- Plated cast iron hammer case
- Dead straight handle (A & B models only)
- Spade style dead handle (B9 & P2 models only)
- Integral muffler
- Built-in power regulator (P2 model only)
- 90° Angle drive (Model 2934B9 only)

Standard Equipment Model 1734A1

- 1/2" NPT inlet
- Plated hammer case

Series 1712

- 1/2" NPT inlet
- Ductile iron hammer case
- B2 model: Inside throttle and spade style dead handle

Equipment at Extra Price

Series 1734

- No. 5 spline 280-A514-6
- *6" square anvil: 280-726-6
- Hanger: 2934-366
- Exhaust deflector kit: 2934-K23
- Piped-away exhaust with muffler: 2940-KM184
- Piped-away exhaust without muffler: 2940-K184

Series 2934

- 90° Angle drive is available for all square drive models
- Order angle attachment No. 2934A90

and hex nose hammer case No 2934-A827. This hammer case must be used to replace the standard hammer case. Note that these items are furnished as standard equipment on Model 2934B9

- *1" drive x 6" (152 mm) extended anvil No. 2934-314-6
 - Horizontal hanger consisting of:
 - One horizontal hanger No. 2934-366
 - Two hanger spacers No. 2934-140
 - Piped-away exhaust muffler kit No. 2940-KM184 (A & B models only)
- ### Series 1712
- *1" drive x 6" (152 mm) extended anvil No. 280-726-6
 - 2934-366 horizontal hanger

Model	Drive Description	Handle	Free Speed rpm	Impacts per minute	Maximum Torque		Recomm. Torque Range		Weight, less socket		Length, less socket		Side to Center Distance		Size Hose Recomm.	CFM	
					ft.-lb.	Nm	ft.-lb.	Nm	lb.	kg	in.	mm	in.	mm			
Super Duty Impacttools																	
2934A2	1" square	Grip O.T.	6600	750	1500	2030	500-1100	678-1490	18½	8.39	11¼	286	2⅜	56	¾	19	47
2934B1**	No. 5 spline	Grip I.T.	6600	750	1500	2030	500-1100	678-1490	18½	8.39	11¼	286	2⅜	56	¾	19	47
2934B2	1" square	Grip I.T.	6600	750	1500	2030	500-1100	678-1490	18½	8.39	11¼	286	2⅜	56	¾	19	47
● 2934B9	1" sq at 90°	Grip I.T.	5300	780	750	1624	250-500	678-1355	35¾	16.2	18⅝	473	1⅝	141	¾	19	47
▲ 2934P2	1" square	Pistol	5300	825	1500	2030	500-1100	678-1490	20	9.07	8⅝	219	2⅜	56	¾	19	47
Heavy Duty Impacttools																	
1734A1**	No. 5 spline	Grip O.T.	6000	800	1400	1904	450-1000	612-1860	18⅝	8.34	11¼	286	2⅜	56	¾	19	47
1712B2	1" square	Grip I.T.	6000	800	1350	1836	450-1000	612-1860	18¼	8.28	11¼	286	2⅜	56	¾	19	47
1712P2	1" square	Pistol	6000	800	1350	1836	450-1000	612-1860	18¼	8.28	11¼	286	2⅜	56	¾	19	56

*Approx. 15% torque reduction.

Performance figures are at 90 psi (620 kPa) air pressure
Angle head gear ratio on model 2934B9 is 1 to 1

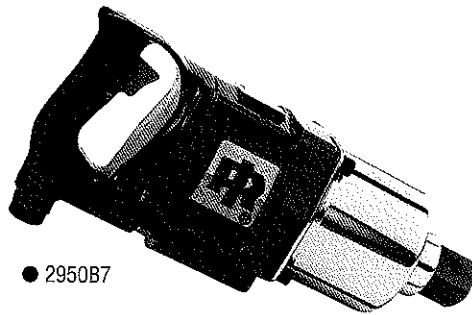
**No. 5 spline 1½" OD 14 teeth

† Side to center distance of angle head. Height of angle head to shoulder of square drive is 4¾" (111 mm)

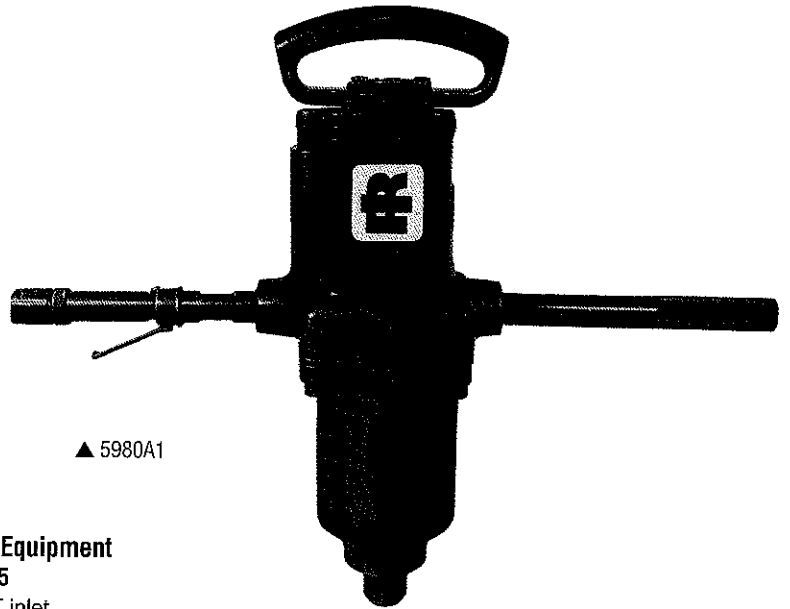
I.T. Inside Trigger

O.T. Outside Trigger

1½" Class Impacttools



● 2950B7



▲ 5980A1

Features

Series 2945 and 2950

- Twin-hammers mean more power per pound
- Direct drive for fast rundown
- Durable epoxy-coated motor housing
- Plated ductile iron hammer case
- Pressure-feed impact mechanism lubrication
- Two-piece motor housing

Model 5980A1

- Precision ball and cam impact mechanism

Standard Equipment

Series 2945

- 1/2" NPT inlet
- Straight dead handle
- Plated hammer case
- Built-in lubricator
- Integral muffler

Series 2950

- 1/2" NPT inlet
- Straight dead handle
- Plated hammer case
- Built-in lubricator
- Integral muffler

Model 5980A1

- 3/4" NPT inlet
- Aluminum hammer case
- Built-in lubricator
- Horizontal eyebolt
- Vertical eyebolt

Equipment at Extra Price

Series 2945 and 2950

- Piped-away exhaust muffler kit No. 2940-KM184
- Horizontal hanger kit No. 2950-K366

Series 5980A1 and 5982A1

- Dual grip handle No. 5980-48

Model	Drive Description	Handle	Free Speed rpm	Impacts per minute	Maximum Torque		Recomm. Torque Range		Weight, less socket		Length, less socket		Side to Center Distance		Size Hose Recomm. CFM	
					ft.-lb.	Nm	ft.-lb.	Nm	lb.	kg	in.	mm	in.	mm	in.	mm

Super Duty Impacttools

2945A7	1½" square	Grip-O.T.	4000	650	2400	3264	1400-1800	1900-2440	30	13.6	13¾	349	2½	64	¾	19	65
2945B1*	No. 5 spline	Grip-I.T.	4000	650	2400	3264	1400-1800	1900-2440	30	13.6	13¾	349	2½	64	¾	19	65
2945B7	1½" square	Grip-I.T.	4000	650	2400	3264	1400-1800	1900-2440	30	13.6	13¾	349	2½	64	¾	19	65
2950A7	1½" square	Grip-O.T.	3750	650	3000	4080	1600-2500	2170-3390	32⅝	14.8	14½	368	2½	64	¾	19	70
2950B1	No. 5 spline	Grip-I.T.	3750	650	3000	4080	1600-2500	2170-3390	32⅝	14.8	14½	368	2½	64	¾	19	70
● 2950B7	1½" square	Grip-I.T.	3750	650	3000	4080	1600-2500	2170-3390	32⅝	14.8	14½	368	2½	64	¾	19	70
▲ 5980A1	1½" square	Lever	830	1000	10,000	13,560	2300-5500	3119-7460	88	39.9	23	584	3⅞	78	1	25	138

Performance figures are at 90 psi (620 kPa) air pressure.
*No. 5 spline 1½" OD 14 teeth.

O.T. Outside Trigger
I.T. Inside Trigger