

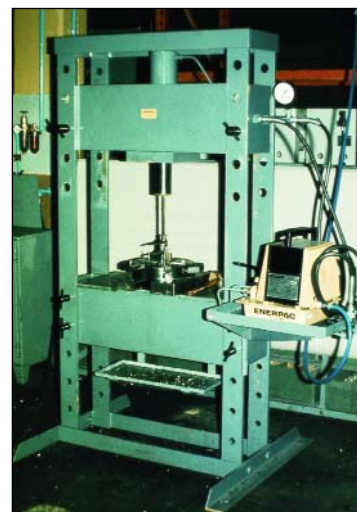
▼ Shown: PEM-2042



The Market Leader for Performance and Value

▼ **SELECTION CHART**
For more technical information see next page.

5 BASIC PUMP TYPES	
Select the model that suits your application. For special requirements see page 81 or contact your Enerpac office.	
PED Series: with Dump Valve <ul style="list-style-type: none"> • Ideal for punching, crimping and cutting • For use when load holding is not required • Control pendant with 10-ft cord controls valve and motor 	
PEM Series: with Manual Valve <ul style="list-style-type: none"> • Ideal choice for most applications • Manual valve control, for both single-acting or double-acting applications • Manual motor control 	
PER 20 Series: with Solenoid Valve <ul style="list-style-type: none"> • Ideal for production and lifting applications • All valves are 3-position for Advance/Hold/Retract • Control pendant with 10-ft cord for remote valve operation 	
PER 22 Series: with Dual-Flow Valve <ul style="list-style-type: none"> • Split flow version with remote Jog • Equal flow to 2 cyl., regardless of load • Twin 3-way manual valves for independent control of single-acting cylinders • Control pendant with 10-ft cord for remote motor control 	
PER 23 Series: with Remote Jog <ul style="list-style-type: none"> • Same as PEM versions, but with remote motor Jog control • Manual Valve control for either single- or double-acting cylinders • Control pendant with 10-ft cord for remote motor control 	



◀ The Two-speed 20-Series Electric Pump reduces the plunger advance time substantially.



20-Series Application

Due to its wide range of reservoirs, valves and control options, the 20-Series is well suited to light production work as well as many light lifting applications. Best suited to power most small to medium size cylinders, the 20 Series pump is a mainstay of the Enerpac pump line.

When equipped with smaller reservoirs, the 20-series pump is light enough for some portable applications, as long as the available power supply is stable. The 20-Series needs a steady 115 or 230 VAC.

For further application assistance see the "Yellow Pages" or contact your local Enerpac office.

Page: 99

PE Series



Reservoir Capacity:
0.8-5.0 gal

Flow at Rated Pressure:
42 in³/min

Maximum Operating Pressure:
10,000 psi

Motor Size:
1 hp

Pump Type	Used with Cylinder	Valve Function	Valve Type*	Usable Oil Capacity (gal)	Model Number with Shroud	Weight (lbs)
	Single-Acting	Advance/Retract	Dump**	.80	PER-2001	78
	Single-Acting	Advance/Retract	Manual (VM-2)	.80	PEM-2021	75
	Single-Acting	Advance/Retract	Manual (VM-2)	2.0	PEM-2022	87
	Single-Acting	Advance/Retract	Manual (VM-2)	5.0	PEM-2025	140
	Single-Acting	Advance/Hold/Retract	Manual (VM-3)	.80	PEM-2031	77
	Single-Acting	Advance/Hold/Retract	Manual (VM-3)	2.0	PEM-2032	88
	Single-Acting	Advance/Hold/Retract	Manual (VM-3)	5.0	PEM-2035	139
	Double-Acting	Advance/Hold/Retract	Manual (VM-4)	.80	PEM-2041	77
	Double-Acting	Advance/Hold/Retract	Manual (VM-4)	2.0	PEM-2042	88
	Double-Acting	Advance/Hold/Retract	Manual (VM-4)	5.0	PEM-2045	143
	Single-Acting	Advance/Hold/Retract	Solenoid (VS-3)	.80	PER-2031	93
	Single-Acting	Advance/Hold/Retract	Solenoid (VS-3)	2.0	PER-2032	116
	Single-Acting	Advance/Hold/Retract	Solenoid (VS-3)	5.0	PER-2035	154
	Double-Acting	Advance/Hold/Retract	Solenoid (VS-4)	.80	PER-2041	98
	Double-Acting	Advance/Hold/Retract	Solenoid (VS-4)	2.0	PER-2042	109
	Double-Acting	Advance/Hold/Retract	Solenoid (VS-4)	5.0	PER-2045	160
	Single-Acting	Advance/Retract	Manual (Dual-flow)**	2.0	PER-2222	114
	Single-Acting	Advance/Retract	Manual (Dual-flow)**	5.0	PER-2225	148
	Single-Acting	Advance/Retract	Manual (VM-2)	.80	PER-2321	80
	Double-Acting	Advance/Hold/Retract	Manual (VM-4)	.80	PER-2341	80
	Double-Acting	Advance/Hold/Retract	Manual (VM-4)	2.0	PER-2342	91

* See Valves section for technical information on valve types.

** Contact Enerpac for details.

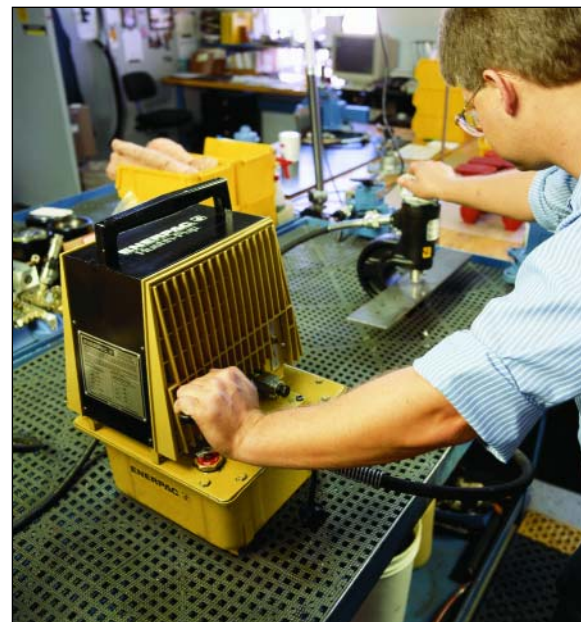
◀ For full features see page 78.

Used with Cylinder	Usable Oil Capacity (gal)	Valve Type	Valve Function	Model Number with Shroud	Weight (lbs.)
Single-Acting	0.8	Dump	Advance/Retract	PED-2001	78
	0.8	Manual (VM-2)	Advance/Retract	PEM-2021	75
	2.0			PEM-2022	87
	5.0			PEM-2025	140
	0.8	Manual (VM-3)	Advance/Hold/Retract	PEM-2031	77
	2.0			PEM-2032	88
	5.0			PEM-2035	139
	0.8	Solenoid* (VS-3)	Advance/Hold/Retract	PER-2031	93
	2.0			PER-2032	116
	5.0			PER-2035	154
	2.0	Manual (Dual-flow)	Advance/Retract	PER-2222	114
	5.0			PER-2225	148
	0.8	Man. (VM-2)		PER-2321	80
Double-Acting	0.8	Manual (VM-4)	Advance/Hold/Retract	PEM-2041	77
	2.0			PEM-2042	88
	5.0			PEM-2045	143
	0.8	Solenoid* (VS-4)	Advance/Hold/Retract	PER-2041	98
	2.0			PER-2042	109
	5.0			PER-2045	160
	0.8	Manual (VM-4)	Advance/Hold/Retract	PER-2341	80
	2.0			PER-2342	91

Note: For Canada add "Y" suffix to model number for 115 VAC with 20 Amp plug.

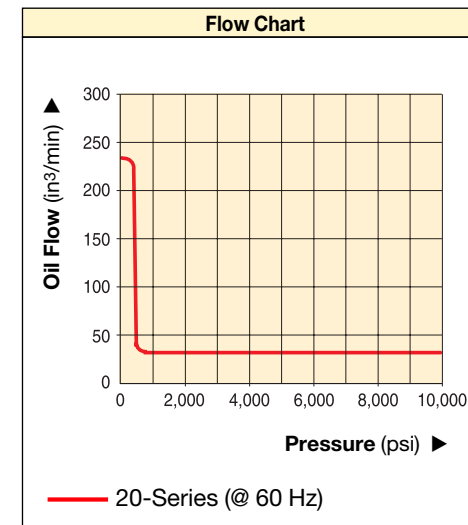
* For detailed valve information, contact Enerpac.

▼ This PEM-2022 is used to power a 35 ton punch in a production fabrication shop.



i Speed Chart
To determine how a 20-Series pump will operate your cylinder, see the Pump-Cylinder Speed Chart in the "Yellow Pages."
Page: 109

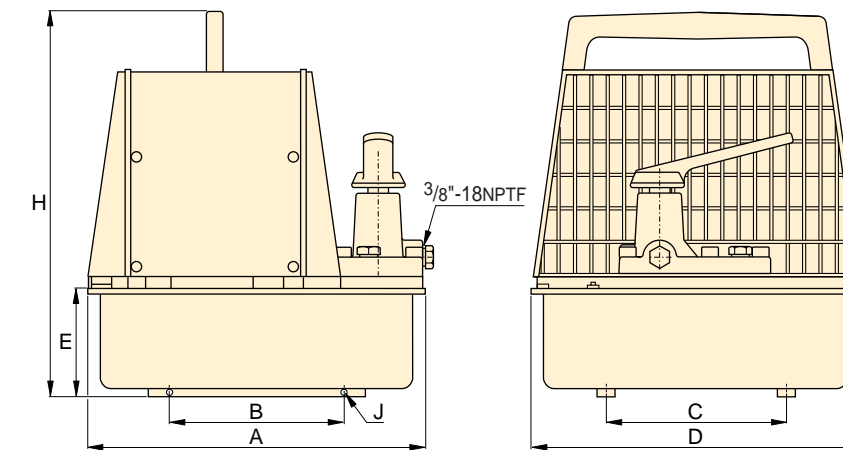
Hoses
Enerpac offers a complete line of high quality hydraulic hoses. To ensure the integrity of your system, specify only genuine Enerpac hydraulic hoses.
Page: 112



Motor Size (hp)	Pressure Rating (psi)		Output Flow Rate** (in³/min)		Motor Electrical Specifications* (Amps @ Volts-Ph-Hz)	Sound Level (dBA)	Relief Valve Adjustment Range (psi)
	1 st stage	2 nd stage	1 st stage	2 nd stage			
1.0	500	10,000	240	42	19.5 a 115-1-60 9.75 a 230-1-60	80	1,000-10,000

* At bypass and maximum pressure.

** All flow data at 60 Hz, 50 Hz data will be 5/6th this number.



PEM-2022

Oil Capacity (gal)	Pump Dimensions (in)						
	A	B	C	D	E	H	J
1.0	12.62	6.38	7.50	12.12	3.88	17.25	.26
2.0	12.62	6.38	7.50	12.12	6.50	20.69	.26
5.0	17.00	12.75	9.25	13.50	9.38	24.88	.26



Reservoir Capacity:
0.8-5.0 gal

Flow at Rated Pressure:
42 in³/min

Motor Size:
1 hp

Maximum Operating Pressure:
10,000 psi

Locking Valves
Pumps with VM-3 or VM-4 manual valves may be ordered with locking valves.

This locking feature provides a hydraulic lock for the cylinder using pilot-operated check valves. To order this option, just place an "L" suffix at the end of the model number. For more information, contact your local Enerpac office.

Page: 126

Foot Control Switches
These 3-position switches allow the solenoid valve on the pump to be controlled by the operator's foot.

For pump with VS-3 valve, order **PFS-3**. For pump with VS-4 valve, order **PFS-4**.