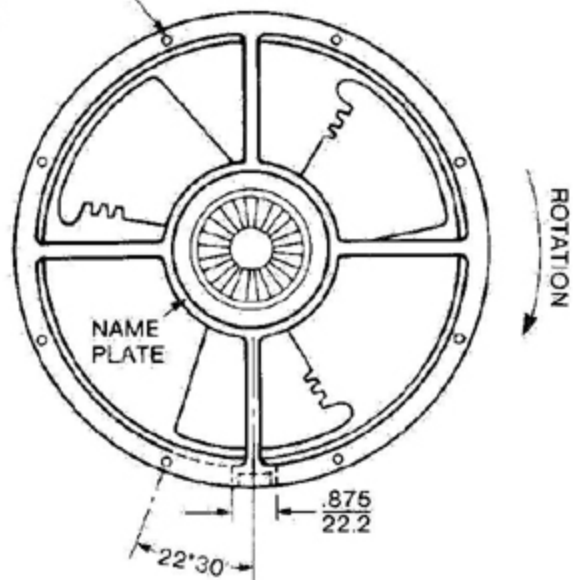


.180 DIA. 8 HOLES
4.57
EQUALLY SPACED
ON 9.688 DIA
246.08
(EACH SIDE)



GROUND CONNECTION .173 DIA x .400 DEEP
4.39 10.2

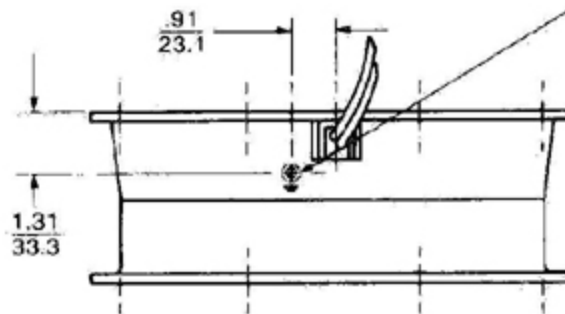
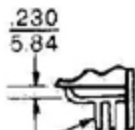
USE NO.10 SELF-TAPPING SCREW, TYPE F, FOR CONNECTION

2 SOLDER TERMINALS

.344 ± .020 LONG
8.74 ± 0.51

.120 ± .002 WIDE
3.048 ± 0.051

.020 ± .001 THICK
0.508 ± 0.025



DIMENSIONS: $\frac{\text{in}}{\text{mm}} \pm$
TOLERANCES: .xx = $\frac{.03}{0.8}$
.xxx = $\frac{.010}{.25}$
ANGULAR ± 2°
(UNLESS NOTED)

(WILL FIT PLUG & CORD #428056 OR 550440)

RECOMMENDED CUTOUT DIAMETER: $\frac{9.12 \pm .06}{231.6 \pm 1.5}$ DIA

Specifications subject to change without notice.