



GA/BGAH Series

Medium Pressure Filters



Global Filtration Technology



Distributor



Oil Solutions



Phone 0421 336 009

Fax 03 9012 4332



International

Phone 61 421 336 009

Fax 61 3 9012 4332



sales@oilsolutions.com.au

www.oilsolutions.com.au



PO Box 653 Castlemaine Australia 3450



Medium Pressure Filters

GA/BGAH Series

Features/Applications for Medium Pressure Inline Filters – GA Series

- Pressures to 750 PSI
- Flows to 100 GPM
- BetaMaze Elements - 3 to 20 Micron Absolute
- Disposable or Recleanable Elements
- Visual and Electrical DP Indicators
- BetaMaze long life elements
- Magnetic prefiltration
- Full flow bypass valve
- No internal leakage paths
- Inside-to-out flow thru element
- Complete contaminant removal during element service
- Optional LEIF® element

Specifications - GA Series

Housing Data:

Material:

Housing – Aluminum Alloy
 Top Closure – Gray Iron
 Internals – Carbon Steel and Aluminum
 Seals – Nitrile – Standard Viton – Optional

Pressure Ratings:

Static – GA-30/120, 750 psi (52 bar)
 GA-170/230, 600 psi (41 bar)
 Burst – GA-30/120, 2800 psi (193 bar)
 GA-170/230, 2200 psi (152 bar)

Weight:

GA-30 – 4.7 lbs (2.1 kg)
 GA-60 – 5.4 lbs (2.5 kg)
 GA-90 – 6.2 lbs (2.8 kg)
 GA-120 – 7.4 lbs (3.4 kg)
 GA-170 – 16.6 lbs (7.5 kg)
 GA-230 – 18.2 lbs (8.3 kg)

Indicator Data:

Visual/Switch Setting:

17 psi (1.2 bar) Standard
 10 psi (0.7 bar)
 3 psi (0.2 bar)

DE Indicators: N.O. (Std.), N.C. (Optional)

Electrical Rating:

120 VAC – 5 Amp
 28 VDC – .3 Amp Resistive

Temperature Range:

Operating -40°F to +250°F (-40°C to +120°C)

Bypass Valve Setting:

22 psi (1.5 bar) Standard
 12 psi (0.8 bar)
 4.5 psi (0.3 bar)
 No Bypass

Element Data

Media Type	Absolute Rating	Multipass Test Results To ISO 4572 (Time Weighted Averages)						
		B ₃	B ₆	B ₁₀	B ₁₂	B ₂₀	B ₂₅	B ₃₆
GDL	3	≥100	800	2000	>5000	∞	∞	∞
GDL	6	8	≥100	1000	2000	>5000	∞	∞
GDL	10	6	22	≥100	≥200	>5000	∞	∞
GDL	20	–	2	8	20	≥100	≥200	>5000
TXX	36	–	–	2	3.5	6	23	≥100

Hardware = Plated Carbon Steel

GDL = Glass Micro-fiber, Epoxy End Cap Adhesive, Suitable for all Conventional Hydraulic Fluids except Phosphate Esters

TXX = Cellulose Fiber, Epoxy End Cap Adhesive, Suitable for Petroleum Base Fluids, Silicon and Phosphate Base Esters

ST = Stainless Steel Mesh, Epoxy End Cap Adhesive, Suitable for all Conventional Hydraulic Fluids

Burst Pressure = 150 psid

Flow Pressure Drop Data

Fluid conditions: Viscosity 140 SSU and Sp. Gr. 0.88

Clean Element Pressure Drop (ΔP) Factors						
Code	3	6	10	20	TXX	ST40
GA-30	1.863	.708	.546	.434	.077	.075
GA-60	.905	.345	.280	.214	.040	.036
GA-90	.603	.236	.187	.137	.029	.025
GA-120	.452	.168	.127	.107	.021	.018
GA-170	.286	.103	.074	.049	.018	.014
GA-230	.205	.079	.052	.038	.013	.010

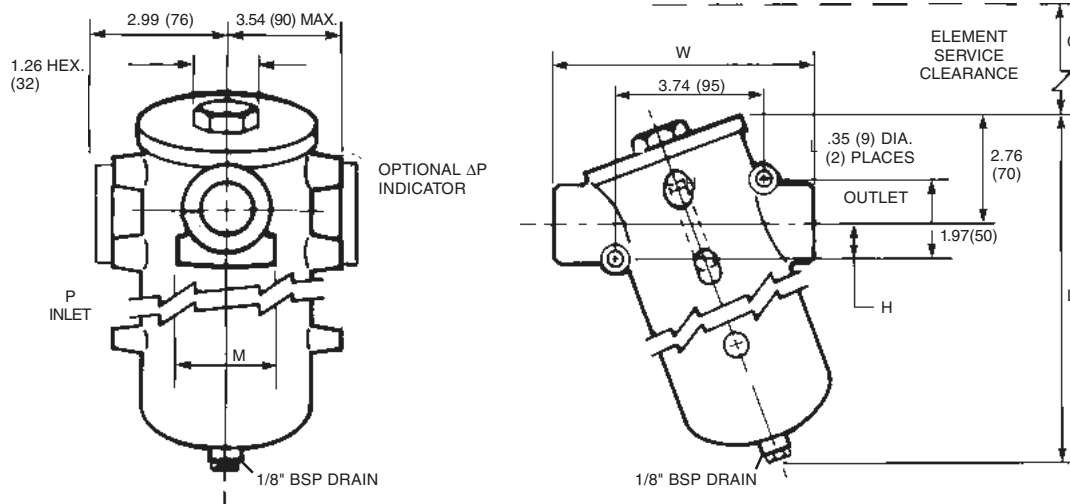
Element Pressure Drop (ΔP):

Multiply the actual flow rate times the applicable ΔP factor to determine the pressure drop with 140 SSU fluid viscosity. Correct for a different viscosity by applying the following formula:

Flow Rate (GPM) x (New viscosity in SSU/140 SSU).

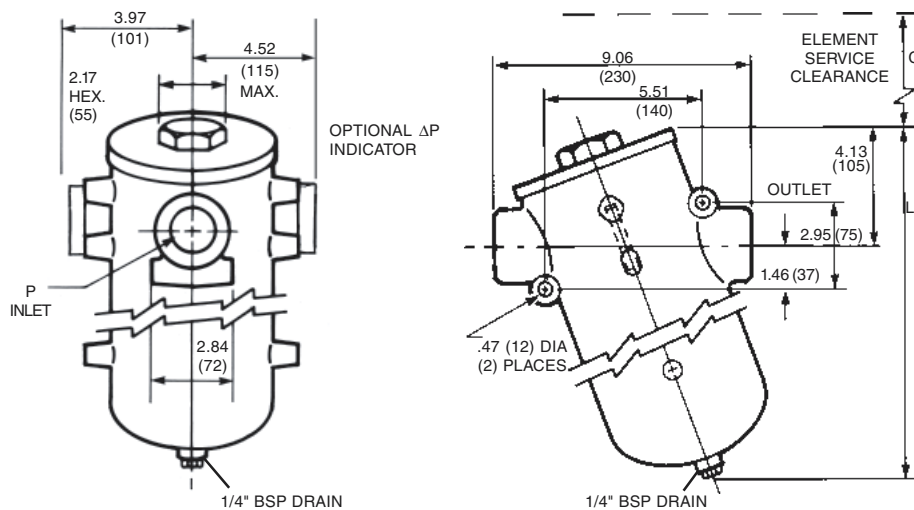


Dimensions GA-30, 60, 90, 120



Dimensions Inches (mm)	GA Filter Model			
	30	60	90	120
H	.98 (25)	.95 (24)		
M	1.73 (44)	2.13 (54)	2.52 (64)	
W	5.91 (150)	6.30 (160)		
L	7.09 (180)	9.25 (235)	10.85(275)	12.8(325)
C	4.2 (107)	5.9 (150)	7.5 (191)	9.5 (241)
P	SAE 12	SAE 16		SAE 20

Dimensions GA-170, GA-230

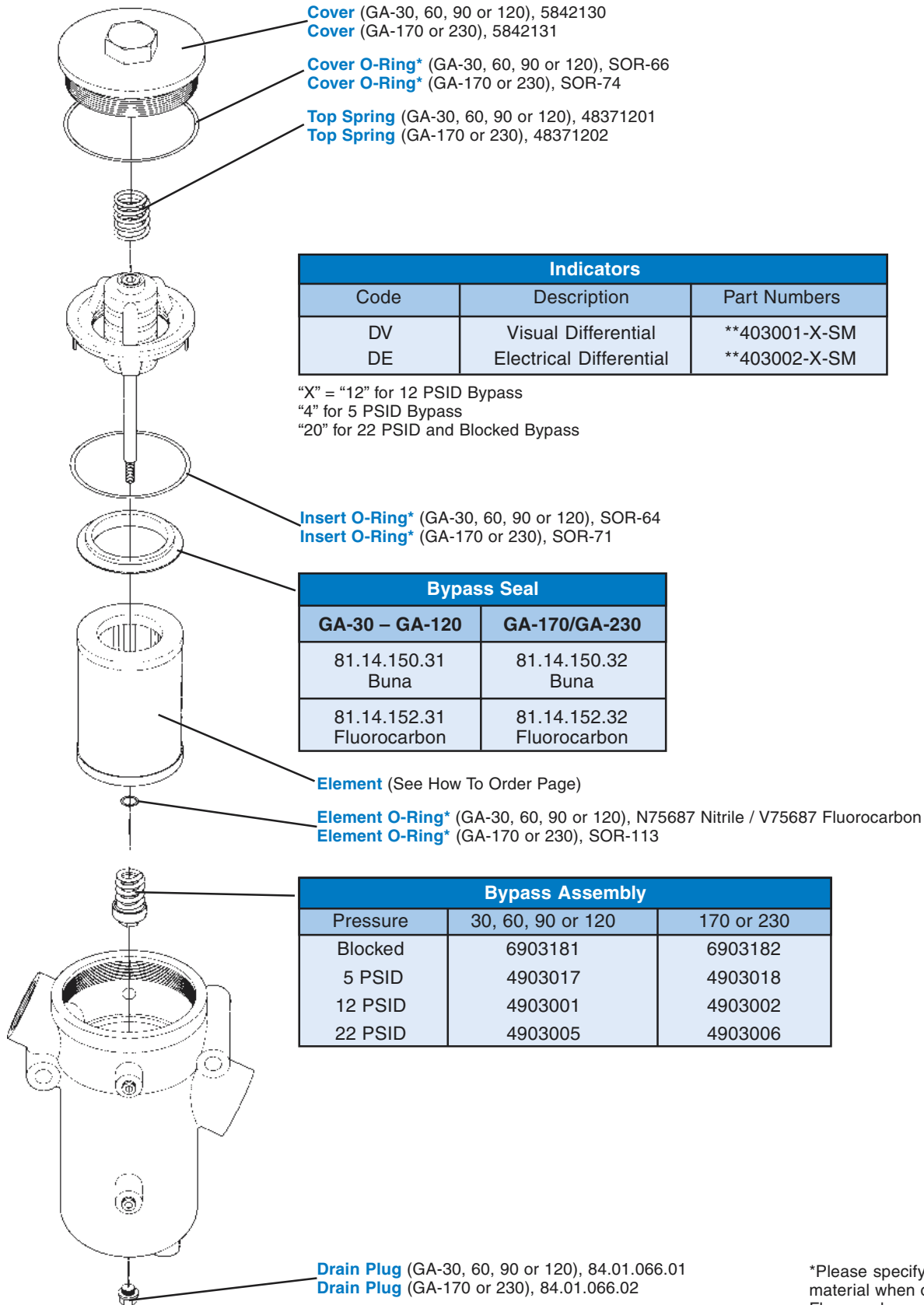


Dimensions Inches (mm)	GA Filter Series	
	170	230
C	10.4 (264)	12.7 (323)
L	15.35 (390)	18.11 (460)
P	SAE 24	

Medium Pressure Filters

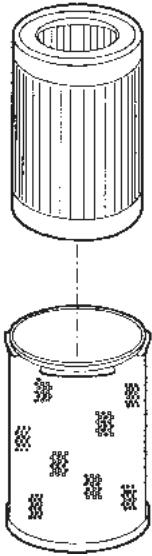
GA/BGAH Series

Parts Breakdown - GA Series



*Please specify seal suffix material when ordering
 Fluorocarbon seals: "-V".

LEIF® BetaMaze™ Replacement Elements



LEIF® Disposable BetaMaze™ Elements only				
Model	3 Micron Absolute Beta 3 ≥ 100	6 Micron Absolute Beta 6 ≥ 100	10 Micron Absolute Beta 10 ≥ 100	20 Micron Absolute Beta 20 ≥ 100
GA-30	TXWL-3	TXWL-6	TXWL-10	TXWL-20
GA-60	TXWL2-3	TXWL2-6	TXWL2-10	TXWL2-20
GA-90	TXWL3-3	TXWL3-6	TXWL3-10	TXWL3-20
GA-120	TXWL3D-3	TXWL3D-6	TXWL3D-10	TXWL3D-20
GA-170	TXWL4-3	TXWL4-6	TXWL4-10	TXWL4-20
GA-230	TXWL5-3	TXWL5-6	TXWL5-10	TXWL5-20

Outer Sleeve						
Model	GA-30	GA-60	GA-90	GA-120	GA-170	GA-230
Part No.	TXSL	TXSL2	TXSL3	TXSL3D	TXSL4	TXSL5

Medium Pressure Filters

GA/BGAH Series

Features/Applications for Medium Pressure Inline Filters – BGAH

- Pressures to 500 PSI
- Flows to 200 GPM
- BetaMaze™ Elements
3 to 20 Micron Absolute
- Disposable or Recleanable Elements
- Visual and Electrical DP Indicators
- BetaMaze long life elements
- Magnetic prefiltration
- Full flow bypass valve
- No internal leakage paths
- Inside-to-out flow thru element
- Complete contaminant removal during element service
- Optional LEIF® element

Element Data

Media Type	Absolute Rating	Multipass Test Results To ISO 4572 (Time Weighted Averages)						
		B ₃	B ₆	B ₁₀	B ₁₂	B ₂₀	B ₂₅	B ₃₆
GDL	3	≥100	800	2000	≥5000	∞	∞	∞
GDL	6	8	≥100	1000	2000	>5000	∞	∞
GDL	10	6	22	≥100	≥200	>5000	∞	∞
GDL	20	–	2	8	20	≥100	≥200	>5000
TXX	36	–	–	2	3.5	6	23	≥100

Hardware = Plated Carbon Steel

GDL = Glass Micro-fiber, Epoxy End Cap Adhesive, Suitable for all Conventional Hydraulic Fluids except Phosphate Esters

TXX = Cellulose Fiber, Epoxy End Cap Adhesive, Suitable for Petroleum Base Fluids, Silicon and Phosphate Base Esters

ST = Stainless Steel Mesh, Epoxy End Cap Adhesive, Suitable for all Conventional Hydraulic Fluids

Burst Pressure = 150 psid

Flow/Pressure Drop Down Data

Fluid Conditions: Viscosity 140 SSU and Sp. Gr. 0.88

Clean Element Pressure Drop (ΔP) Factors						
Code	3	6	10	20	TXX	ST40
BGAH-400	.122	.045	.032	.022	.007	.006
BGAH-500	.097	.037	.024	.017	.006	.0044

Element Pressure Drop (ΔP):

Multiply the actual flow rate times the applicable ΔP factor to determine the pressure drop with 140 SSU fluid viscosity. Correct for a different viscosity by applying the following formula: Flow Rate (GPM) x ΔP Factor x (New viscosity in SSU/140 SSU).

Specifications: BGAH

Housing Data:

Material:

Housing – Aluminum Alloy
Internals – Carbon Steel and Aluminum
Seals – Nitrile - Standard
Viton - Available

Pressure Ratings:

Static – 500 psi (34 bar)
Burst – 2000 psi (138 bar)

Weight:

BGAH-400 – 39 lbs (17.7 kg)
BGAH-500 – 45 lbs (20.5 kg)

Indicator Data:

Visual/Switch Setting:

17 psi (1.2 bar) Standard
10 psi (0.7 bar)
3 psi (0.02 bar)

Electrical Rating:

110 VAC – 10 Amp
250 VAC – 5 Amp
228 VDC – 3 Amp Inductive
5 Amp Resistive

DE Indicators: N.O. (Std.), N.C. (Optional)

Temperature Range:

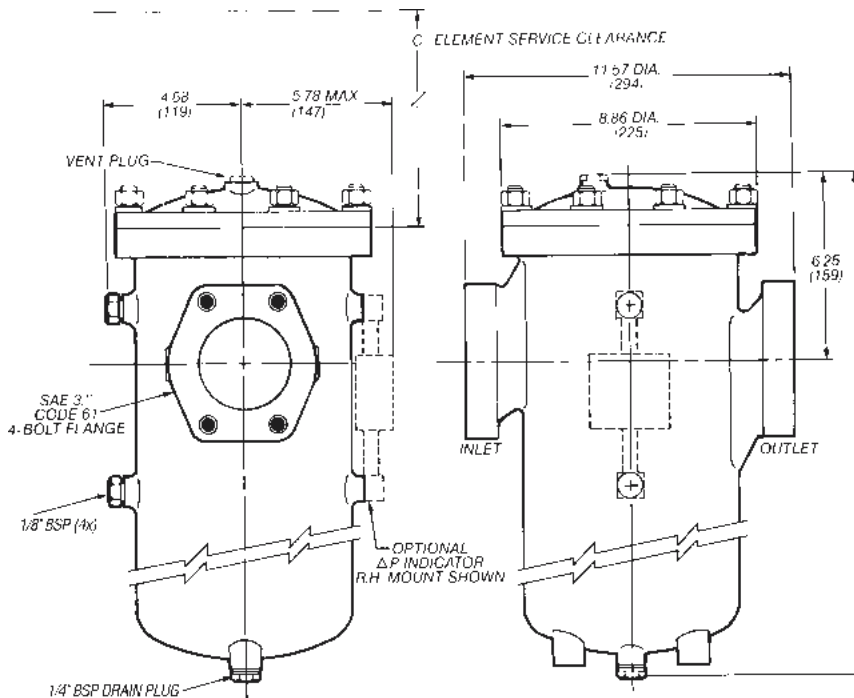
Operating -40°F to +250°F (-40°C to +120°C)

Bypass Valve Setting:

22 psi (1.5 bar) Standard
12 psi (0.8 bar)
4.5 psi (0.3 bar)
No Bypass

Dimensions: BGAH-400, 500

Inches (mm)

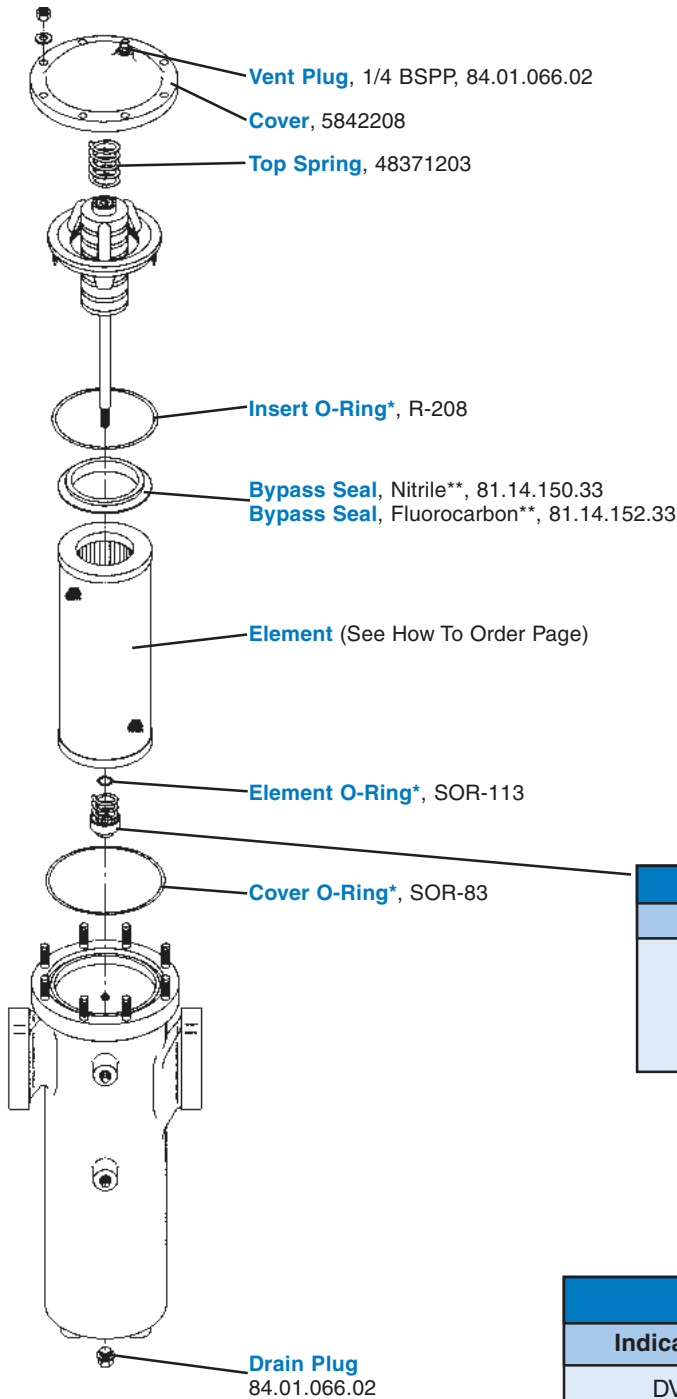


Dimensions Inches (mm)	BGAH Filter Model	
	400	500
C	15.75 (400)	23.25 (590)
L	21.65 (550)	29.13 (740)

Medium Pressure Filters

GA/BGAH Series

Parts Breakdown - BGAH Series



Bypass Assembly	
Bypass Pressure Setting	BGAH-400 or 500
Blocked	6903183
5 PSID	4903019
12 PSID	4903003
22 PSID	4903007

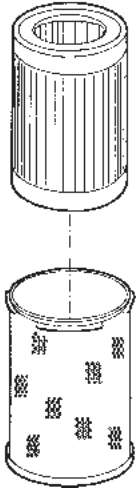
Indicators		
Indicator	Description	Part Numbers
DV	Visual Differential	†402950-X-IL
DE	Electrical Differential	†402951-X-IL

* Please specify seal material suffix when ordering Fluorocarbon seals: “-V”.
 ** Not required for assemblies using the LEIF® element.

† “X” = “12” for 12 PSID Bypass
 “4” for 3 PSID Bypass
 “20” for 22 PSID and Blocked Bypass

Parts Breakdown: BGAH (cont.)

Leif® Betamaze™ Replacement Elements



LEIF® Disposable Betamaze™ ELEMENTS ONLY				
Model	3 Micron Absolute Beta 3 ≥ 100	6 Micron Absolute Beta 6 ≥ 100	10 Micron Absolute Beta 10 ≥ 100	20 Micron Absolute Beta 20 ≥ 100
BGAH-400	TXWL8A-3	TXWL8A-6	TXWL8A-10	TXWL8A-20
BGAH-500	TXWL8C-3	TXWL8C-6	TXWL8C-10	TXWL8C-20

Outer Sleeve	
Model	Part Number
BGAH-400	TXSL8A
BGAH-500	TXSL8C

Medium Pressure Filters

GA/BGAH Series

Operating And Maintenance Instructions Model GA And BGAH

A. Mounting

1. Install utilizing proper fittings.
2. Support filter where appropriate. When using flexible hose or when using piping that cannot support the weight of the filter filled with oil, a mounting bracket is recommended.
3. Insure drain plug, fittings and connectors are secure and tight.
4. Fill housing with fluid and purge the filter to remove entrapped air.

B. Start-Up

1. Check for and eliminate leaks upon system start-up.
2. Check differential pressure indicator (if so equipped) to monitor element condition.

C. Service

1. An element must be serviced when the differential pressure indicator indicates service is required.

NOTE: If the filter is not equipped with a differential pressure indicator, the element should be serviced according to the machine manufacturer's instructions.

D. Servicing Dirty Elements

1. Shut the system down to assure that there is NO PRESSURE OR FLOW in the filter housing.
2. Remove the drain plug to drain the oil from the housing.
Save the drained oil for reuse – drained oil has been filtered.
3. Remove the cover.
 - a. On GA models, the cover is removed by turning the cover counter-clockwise.
 - b. On BGAH models, the cover is removed by first removing the cover nuts and washers, then the cover.
4. Remove the insert (bridge which holds the element in place).
5. Remove the bypass spring assembly or blocking plate from the stud.
6. Remove the contaminated cartridge with a twisting motion.
7. Discard disposable element cartridge or clean the mesh element cartridge.
 - a. Wash in a non-caustic solvent using care not to damage the element.
 - b. Compressed air may be used to facilitate cleaning.

NOTE: Elements finer than 150 microns (100 mesh) may require special ultrasonic cleaning.
Consult factory for recommendations.

E. Before Installing Cartridges

1. Clean magnet core with a lint-free cloth.
2. Check all seals and replace if necessary.

F. To Install New Or Cleaned Cartridge

1. Lubricate all seals.
2. Mount new or recleaned Arlon filter cartridge.

NOTE: For ease of mounting, hold the cartridge away from the magnetic core until the stud is through the hole in the bottom of the element. Then slide it up to securely seat it against the top of the bridge

3. Install bypass spring assembly or blocking plate (tighten until snug).

NOTE: Older versions may have a cotter pin/castellated nut retained bypass spring. In these cases, the nut should be turned down the shaft until the cross drilled hole is visible in the base of the castellation. The cotter pin is then inserted and the ends flared to lock the bypass assembly in place.

4. Reinstall insert into the filter housing (make sure the top spring is secure).
5. Reinstall the cover, reverse procedure D.3.a or D.3.b (on BGAH models, torque cover nuts to 15 ft./lbs.).
6. Follow procedure A.4 and A.5
7. Follow procedure B.1 and B.2

Medium Pressure Filters

GA/BGAH Series

HOW TO ORDER:

Select the desired symbol (in the correct position) to construct a model code.

Assembly Example:

BOX 1	BOX 2	BOX 3	BOX 4	BOX 5	BOX 6
GA230	S24	TXW510	B	22	DV

Element Example:

BOX 3	BOX 4
TXW510	B

BOX 1: MODEL		
Symbol	Description	
	FULL FLOW	SURGE FLOW
GA30	8 GPM (30 l/min)	20 GPM (75 l/min)
GA60	16 GPM (60 l/min)	30 GPM (115 l/min)
GA90	24 GPM (90 l/min)	40 GPM (150 l/min)
GA120	32 GPM (120 l/min)	50 GPM (190 l/min)
GA170	50 GPM (190 l/min)	80 GPM (300 l/min)
GA230	65 GPM (245 l/min)	100 GPM (380 l/min)
BGAH400	110 GPM (415 l/min)	150 GPM (565 l/min)
BGAH500	135 GPM (510 l/min)	200 GPM (755 l/min)

BOX 2 : PORTS	
Symbol	Description
S12	GA-30 SAE-12 (1 1/16"-12)
S16	GA-60/90 SAE-16 (1 5/16"-12)
S20	GA-120 SAE-20 (1 5/8"-12)
S24	GA-170/230 SAE-24 (1 5/26"-12)
	BGAH-400/500
F3	3" Code 61 SAE Flange

BOX 3 : ELEMENT*							
Model	Symbol						
	10μ Nom. $\beta_{10} \geq 2$	3μ Abs. $\beta_3 \geq 100$	6μ Abs. $\beta_6 \geq 100$	10μ Abs. $\beta_{10} \geq 100$	20μ Abs. $\beta_{20} \geq 100$	40μ Stainless Steel Mesh	120μ Stainless Steel Mesh
GA-30	TXX-10	TXW-3	TXW-6	TXW-10	TXW-20*	ST-40	ST-120
GA-60	TXX2-10	TXW2-3	TXW2-6	TXW2-10	TXW2-20	ST2-40	ST2-120
GA-90	TXX3-10	TXW3-3	TXW3-6	TXW3-10	TXW3-20	ST3-40	ST3-120
GA-120	TXX3D-10	TXW3D-3	TXW3D-6	TXW3D-10	TXW3D-20	ST3D-40	ST3D-120
GA-170	TXX4-10	TXW4-3	TXW4-6	TXW4-10	TXW4-20	ST4-40	ST4-120
GA-230	TXX5-10	TXW5-3	TXW5-6	TXW5-10	TXW5-20	ST5-40	ST5-120
BGAH-400	TXX8A-10	TXW8A-3	TXW8A-6	TXW8A-10	TXW8A-20	ST8A-40	ST8A-120
BGAH-500	TXX8C-10	TXW8C-3	TXW8C-6	TXW8C-10	TXW8C-20	ST8C-40	ST8C-120

*For LEIF® elements, replace "TXW" with "TXWL". Example: TXW4-10 becomes TXWL4-10

BOX 4 : SEALS	
Symbol	Description
B	Nitrile (Buna)
V	Fluorocarbon (FKM)

BOX 5 : BYPASS	
Symbol	Description
B	Blocked
05	4.5 PSID (0.3 Bar)
12	12 PSID (0.8 Bar)
22	22 PSID (1.2 Bar)

BOX 6 : INDICATOR	
Symbol	Description
DV	Visual Differential
DE	Electrical Differential
OMIT	If not required

Please note the bolded options reflect standard options with a reduced lead-time. Consult factory on all other lead-time options.

